

5 Seconds™

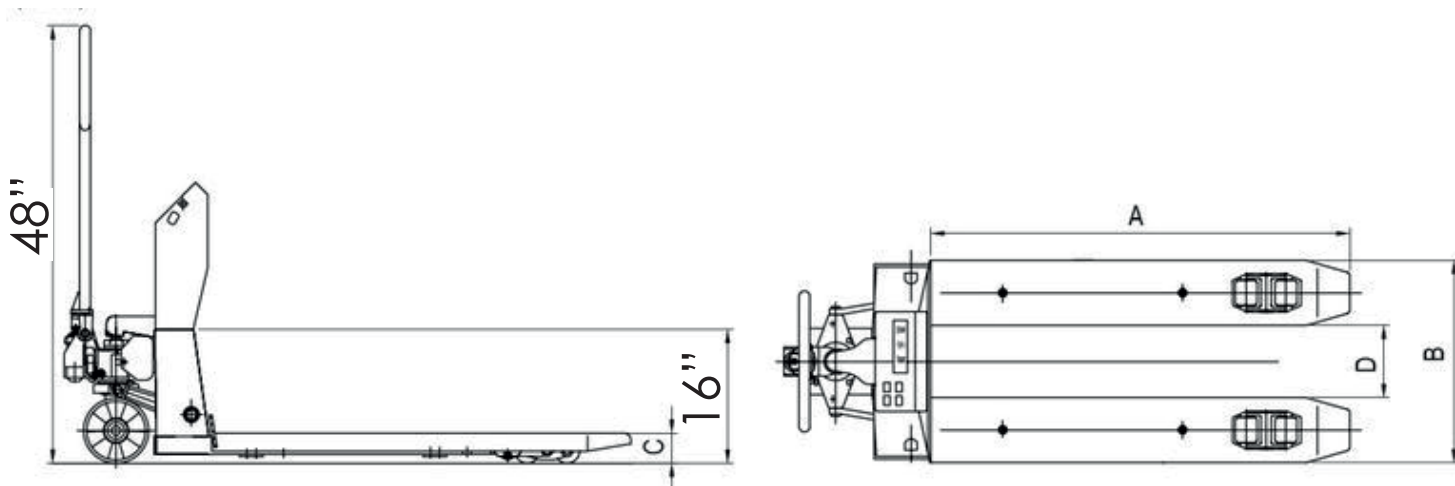
**5 Seconds™ Tyson500 Series Pallet
Jack Scale/ Yellow & Black / 5000 lbs**



Type and Specifications:

SKU #	Capacity	A	B	C	D	E	Weight	Ctn Size (Inches)
555011	1~2.5t	1220	330	690	85	200	257.9lbs	78.7*28.3*23.2

Dimensions



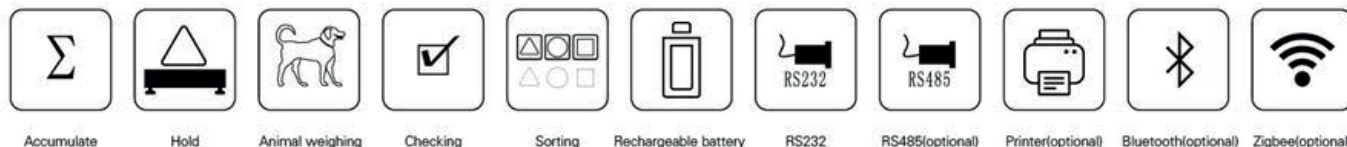
Technical Parameters

- Accuracy class:
- Display: 6-digit 20mm LED or 25mm LCD with backlight.
- Work Environment: -10°C ~ +40°C, < 85%RH
- Power Supply: Built-in DC4V/4Ah lead acid battery or DC9V adapter

Structural Features

- Pallet truck structure, weighing fast and convenient
- Special roller and hydraulic lifting, easy to move and lift
- C-shaped steel, shot blasting and spray paint processing, anti-corrosion
- Four alloy steel or stainless steel load cells

Product Functions



Accumulate Hold Animal weighing Checking Sorting Rechargeable battery RS232 RS485(optional) Printer(optional) Bluetooth(optional) Zigbee(optional)