

# 5Seconds™

## 5 Second™ Optimizer Series High Velocity Hand Dryer 1800W



2 Year  
Warranty

UL  
LISTED

8-10 Sec  
Drying time

ADA  
Compliant

CERTIFIED  
COARSE  
CERTIFICATION

### Description

5 Seconds™ is the original high-speed, energy-efficient hand dryer that dries hands within 10 seconds. Fastest, most powerful automatic dryers in the business. They really work! 5Seconds™ Optimizer Series High Velocity Hand Dryer is ideal for public restrooms in schools, offices, theatres and more. Hand dryer features an infrared sensor for sanitary touch-free operation. Stainless steel cover with satin finish. UL Listed ADA compliant.

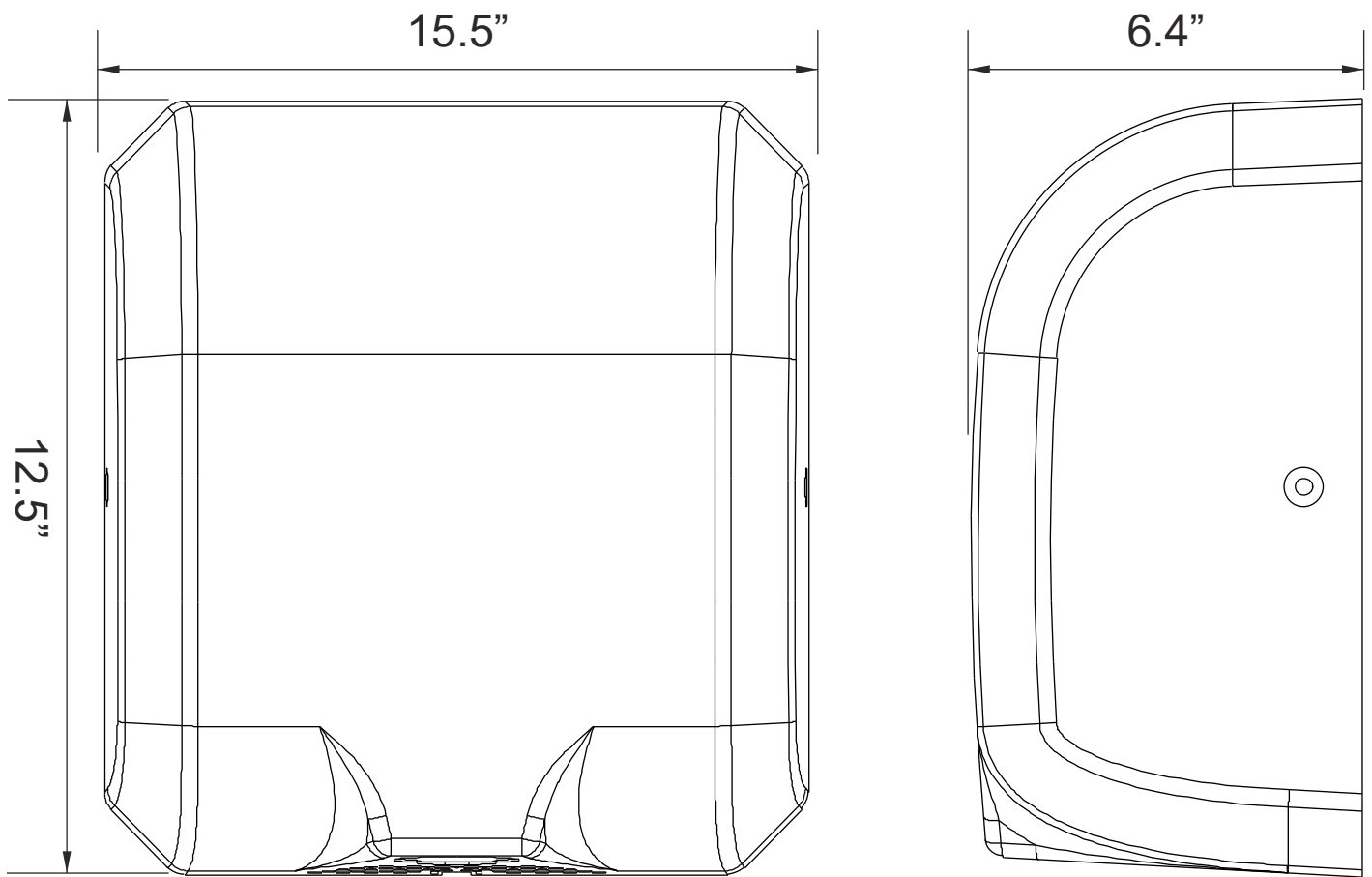
# Specifications

Brand	5 Seconds
SKU# (Brushed)	111011
Voltage	120V 60Hz, 15A, 1800W
Air Temperature	45°C [113°F]
Air Velocity	100M/Seconds [328 FT/S]
Drying Time	8 to 10 Seconds
Protection Level	IP23
Electrical Isolation	Class I
Sensor Range	5-15CM
Dimensions	15.5 x 6.4 x 12.5 Inches (WxDxH)
Material	Stainless Steel 304
Motor Power	22000RPM, 550W [0.74HP]
Heating Element	1250 WT
1- Visible Service Blue LED	
2- 60 Seconds Automatic Shut Off	

## Features & Benefits

- High speed and long-lasting ECO friendly product
- Dry hands completely in 8 - 10 seconds and 3times faster
- Maintenance-free, hard-wired
- Energy efficient
- 95% Cost Savings vs. Paper Towels
- The most HYGIENIC drying solution and best hand dryer
- 80% Less Energy Than Conventional Hand Dryers
- 8-10 Second Dry Time
- Externally Visible Service LED
- Automatic shut off when not in use
- Coarse Particle Filter

# Dimensions



Automatic hands ON/OFF by infrared sensor



100 Meter/seconds speed  
8 - 10 Seconds drying time  
60 Seconds auto shut off



Externally visible service blue LED guides hands to air flow



High Speed Motor



Dual protection heater by Thermostat & Thermal Cutoff



Cover right grounding



Fireproof key plastic parts & stainless steel cover



Silentblock in the base to cushion mechanical vibration



Convenient plug in feature  
Optional hardwire installation



Easy maintenance  
Easy wall surface mounted  
Anti-theft lockable



Customized speed & sound control from 300 W - 1800 W



Customized heater ON/OFF switch



Customized intelligent heater off if ambient temperature is more than 25°C[77°F]



Customized coarse particulate filter at air inlet



Customized bacterial free HEPA filter after coarse particulate filter at air inlet