

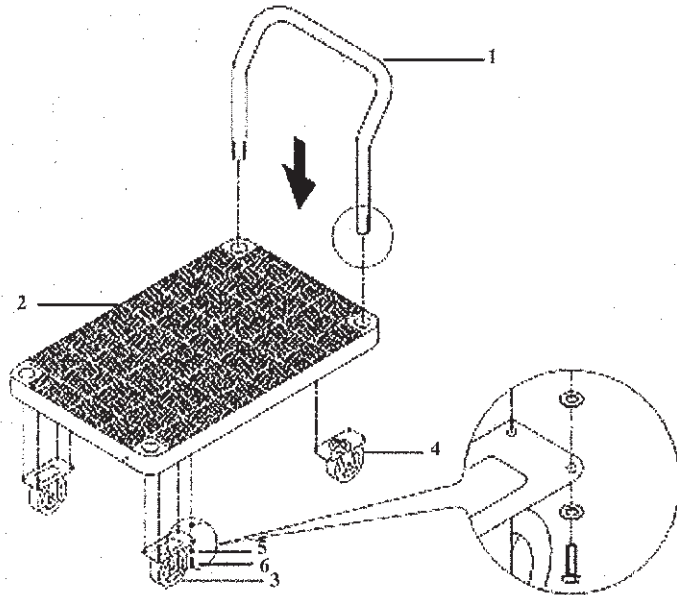
Instruction Manual

Stainless Steel Platform Cart



Note: The Owner/Operator must read carefully and understand all the information presented here before operation.

1. EXPLODE VIEW & ASSEMBLY INSTRUCTIONS



No.	Description	Qty
1	Handle	1
2	Platform	1
3	Fixed wheel	2
4	Swivel wheel	2
5	Washer $\Phi 10$	16
6	Screw M10x25	16

Assembly Instructions

Assembly to your truck will be FASTER and EASY if YOU...

- Sort Connecting hardware into separate piles before assembling
- Tighten all parts by hand. Do not use power tools.
- Do not over load as components could be damaged.

Platform Truck is now ready to use.

*Note: Handle may be inserted on holes at either end of deck for operator convenience.

2. SPECIFICATION

Model	Loading Weight (LBS)	Net Weight (LBS)	Platform Size (INCH)	Platform Height (INCH)	Handle Height (INCH)	Wheel Dimension (mm)
5SEC2448	2000	110	24 x 48	10	34	$\Phi 150*50$ (Polyurethane)
5SEC3672	2000	83	36 x 72	10	34	$\Phi 150*50$ (Polyurethane)