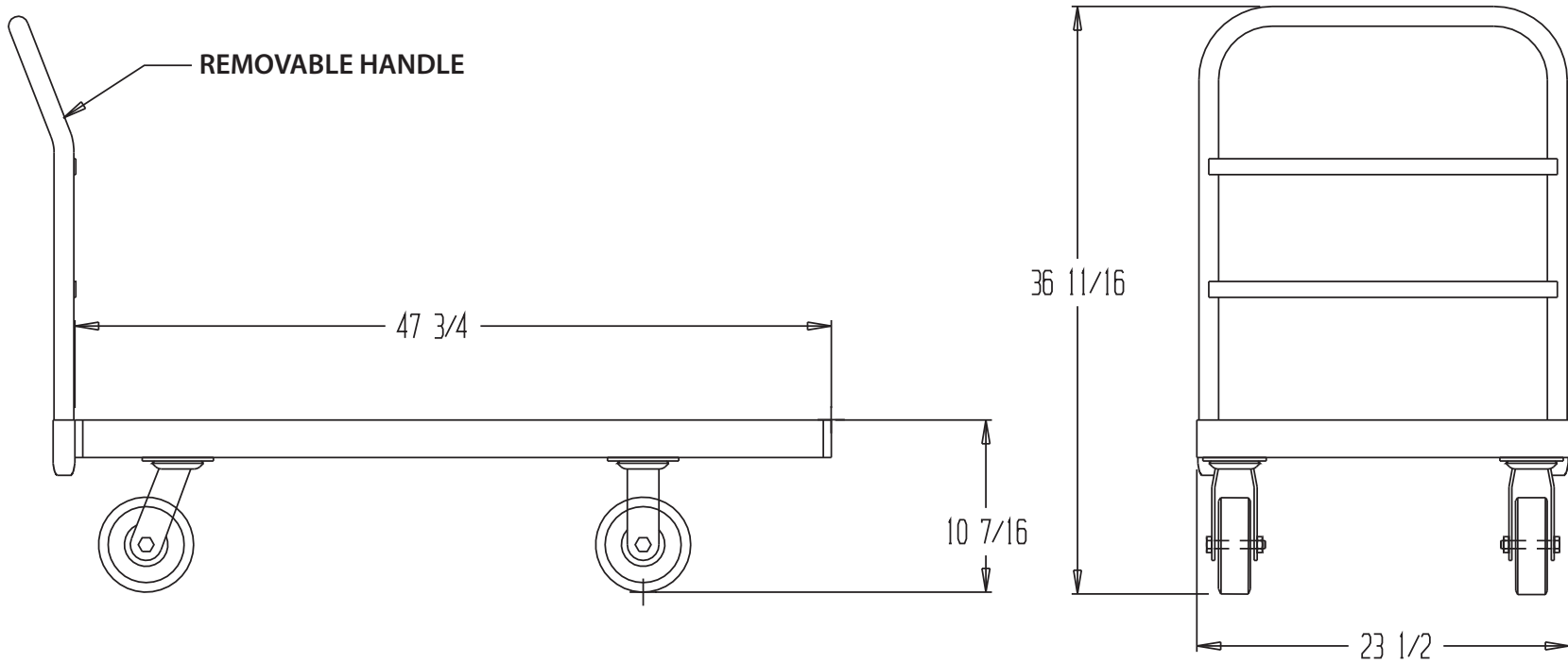


**\*\*SPECIAL UNITS ARE NON-RETURNABLE**  
**\*AVAILABLE AT ADDITIONAL COSTS**

# BOONE™ PLATFORM CART



LEAD TIME WILL START UPON  
 RECEIPT OF SIGNED APPROVAL  
 DRAWING

### STANDARD FEATURES

MODEL NUMBER: 5SEC2448  
 CAPACITY: 2,000 LBS  
 USABLE PLATFORM: 23 1/2" X 47 3/4"  
 PLATFORM HEIGHT: 10 7/8"  
 CASTERS: 6 X 2 MOLD-ON-RUBBER  
 TWO SWIVEL, TWO RIGID  
 UNIT IS PAINTED GRAY

**\*CASTERS ARE REMOVABLE\***

### SPECIAL FEATURES

**NONE**

\*\*Any additions, deletions or omissions must be corrected on this drawing, as this drawing will be considered all inclusive.\*\*

\*\*\* ALL GRAPHICS PROVIDED ARE FOR REFERENCE ONLY. IF CERTAIN DIMENSIONS ARE CRITICAL PLEASE VERIFY THOSE DIMENSIONS WITH YOUR SALESPERSON. \*\*\*

**APPROVAL**

I, the undersigned, hereby approve this print  
 As drawn                       As marked  
 This includes my approval of design & dimensions.  
 Signed: \_\_\_\_\_  
 Date: \_\_\_\_\_

Distributor's Name: <b>5Seconds™</b>		P.O.#: _
		W.O.#: _
Drawn By: Sr	Date: 7-1-22	SALES: _
Reference: -		DRWG. / FILE NAME: 16-007-295
Scale: 1:12		