

5Seconds™

B SERIES BIDET



SLIM DESIGN

60mm

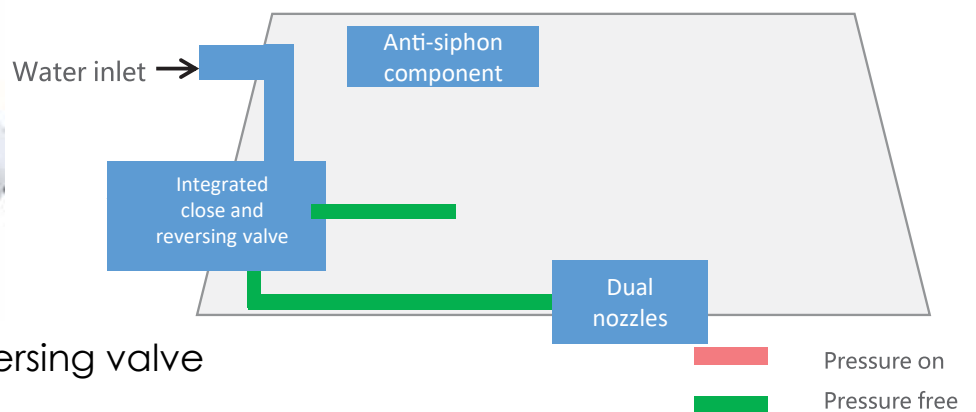


Slim design, save the package size, increase the package QTY to reduce the transportation cost

INNOVATION OF WATER FLOW STRUCTURE



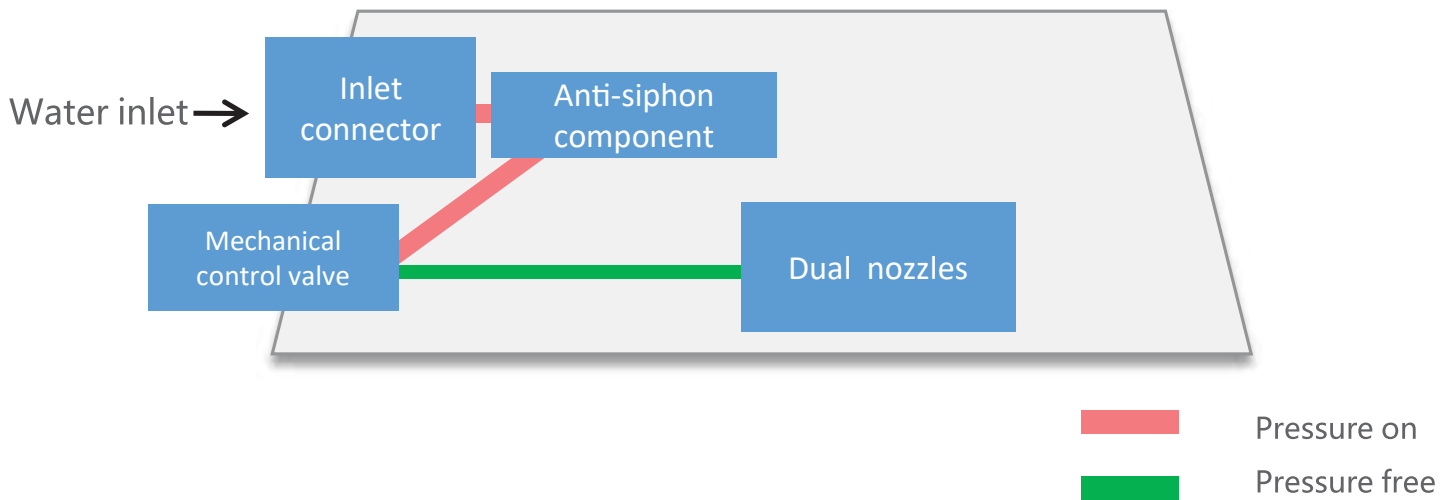
Megmeet water flow structure



Integrated close and reversing valve
(Unique patent design)

- ✓ Integrated close and reversing valve used in the water inlet side to cut the water connection when product is not in work which. can avoid the anti-siphon component under pressure when it is not in work.
- ✓ Reduce the risk of water leaking. Even when the rubber part aging, the whole system is sealed when the product is turn off, when start to work only small water drops might leak from the self-clean.

Others water flow structure



- ✓ Anti-siphon component is always connected with the water inlet which is under long-term pressure.

Risk

The whole pipeline system is under water long-term pressure which accelerates the product life. The product has more risk to have leaking problem.

APPLICABLE FOR LOW PRESSURE, AVOID LEAKING



Others anti-siphon structure risk

- ✓ When anti-siphon components is working under the pressure less than 0.04 MPa(static pressure), the water is unable to stop and leaking happened.
- ✓ When the pipe pressure is very low due to the water inlet is not cut, the product will have leaking risk due to design principle.

Megmeet innovation pipeline structure can avoid the leaking defect in low pressure!!!

HUMANIZED WASHING FUNCTION



✓ Accurate positioning

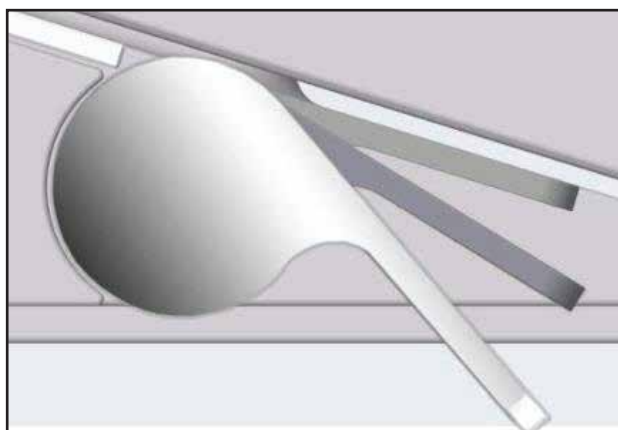
The angle and position of the nozzle is accurate designed

✓ Low pressure resistant design

The integration design can reduce the water pressure loss and improve the washing capability.

Working pressure : 0.07-0.8MPa (static pressure)

VERTICAL KNOB, HIGHLY MATCH FOR CERAMICS



Knob in others

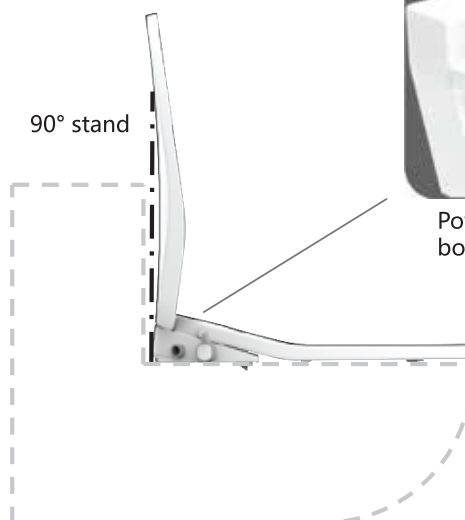
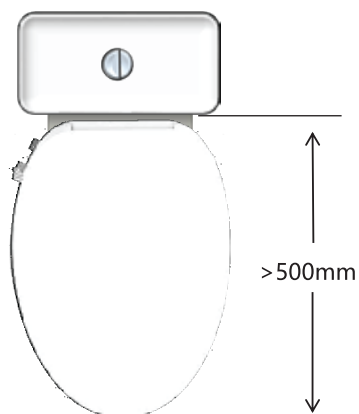
When pan size $>375\text{mm}$, the knob will have interference with ceramic.



Our knob

Highly matched with all kind of ceramics

WELL MATCH DESIGN



Power cable/Water hose bottom inlet

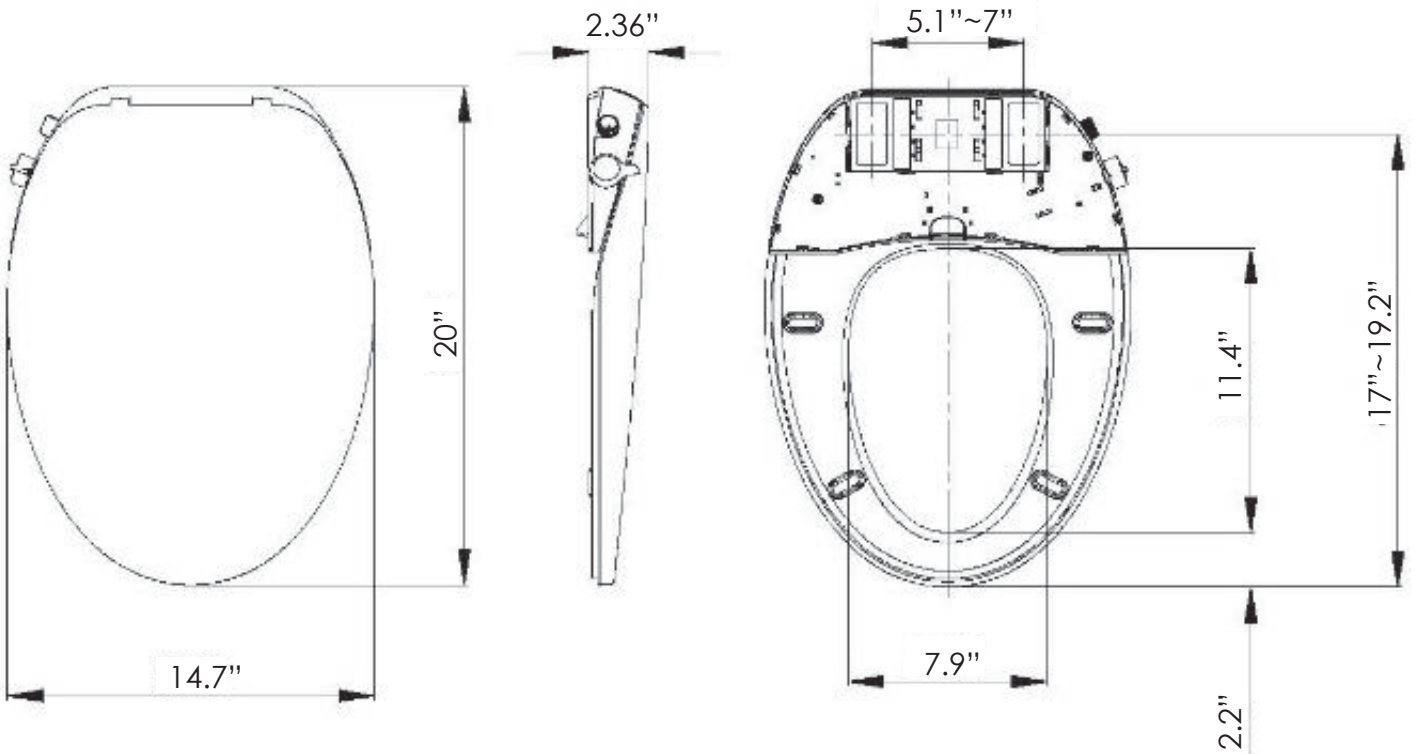
ERGONOMIC DESIGN



✓ **Hole size**

The design size is 290mm which is more comfortable than other products in the market

DIMENSIONS



SPECIFICATION

Product application

- V shape ceramic
- Installment size: A=435~485mm,B= 133~219mm
- Range of static water pressure: 0.07~0.80Mpa
- Using tape water or drinking water

Characteristics

- Dual wash: Rear wash/Lady wash
- Self-clean function
- Knob controls flushing volume
- Quick installation and release
- Soft-closing
- Top/Bottom fix
- PP material

Scope of deliver

- Bidet seat
- Fix plate accessories
- Three-way pipe
- Flexible hose

SKU #	499800
Size	20×14.7×2.3 (Inches)
Self-stand	90°
Hole size	7.9×11.4 Inches
B	5.1-7 Inches
A	17-19.2 Inches



800-215-6448

info@5SecondsBrand.com

1939 Parker Ct, Suite E,
Stone Mountain, GA 30087, U.S.A.