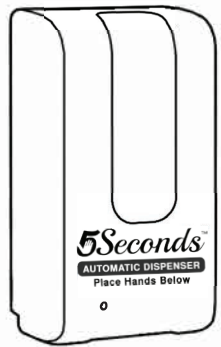
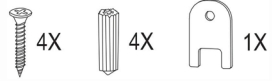


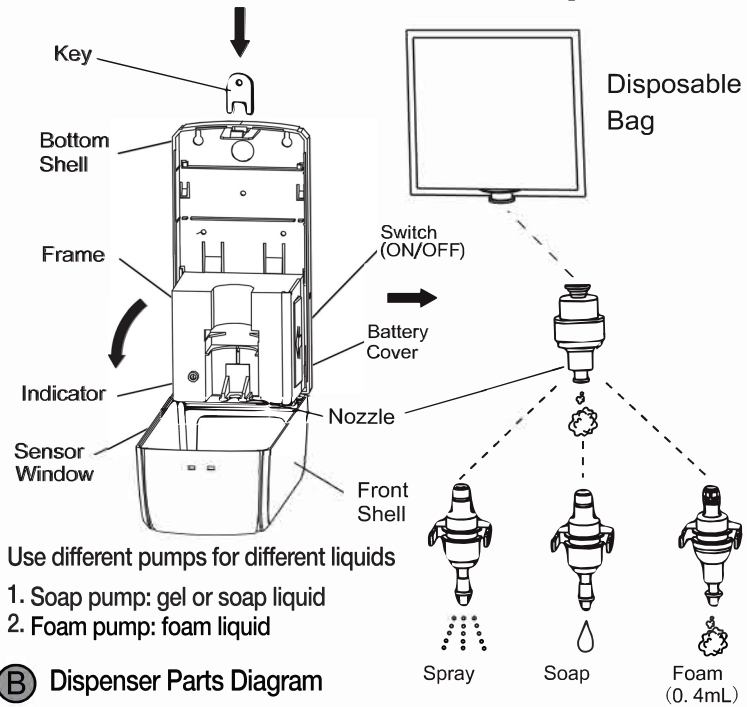
# 5Seconds Touchless Hand Automatic Dispenser Installation



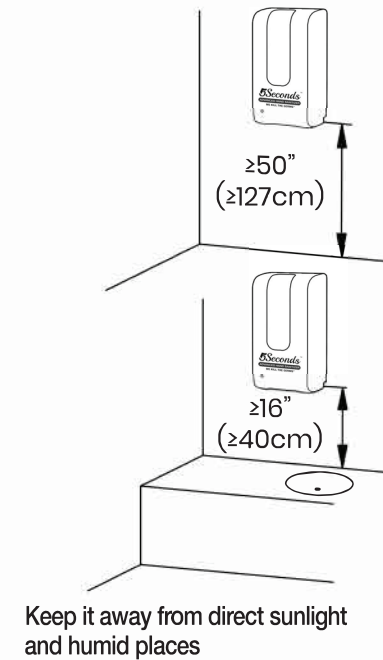
1X \*



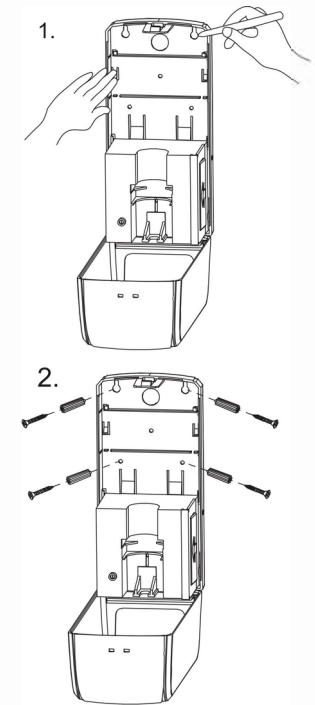
**A** Assembly Parts



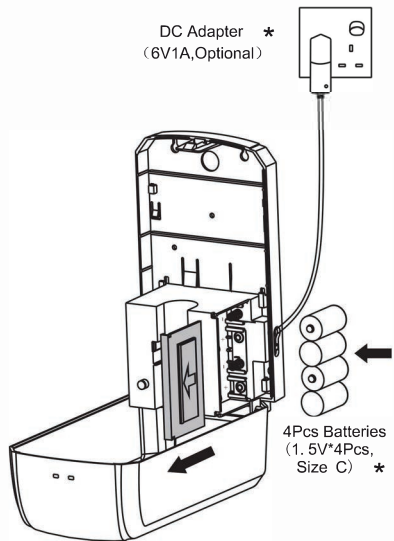
**B** Dispenser Parts Diagram



**C** Installation Height from Floor/Table

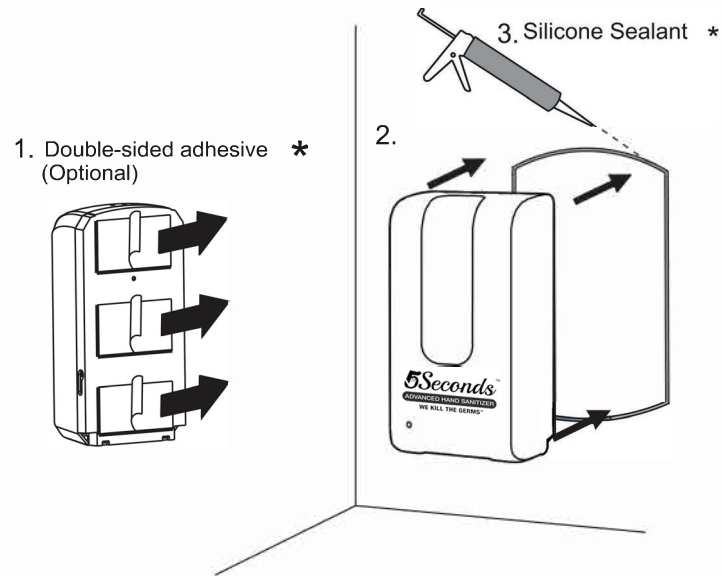


**D** Installation using four screws



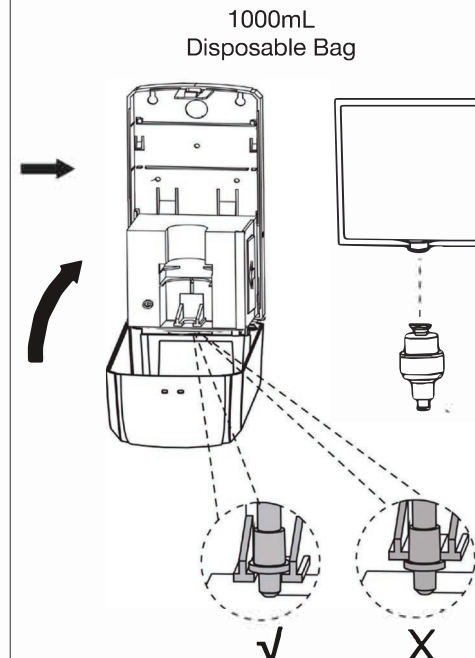
\* Batteries/DC Adapter are not included

**E** Battery/DC Adapter Installation



\* Double-sided adhesive and silicone sealant are not included

**F** Installation using Adhesive Backing



**G** Liquid Refill Installation



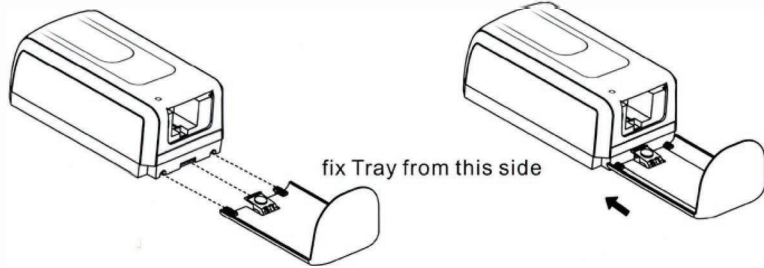
LED Light operation

1. 5 second Green Light: normal operation
2. 5 second Red Light: low power (replace batteries)
3. 2 second Red Light: blocked sensor (remove obstacles)

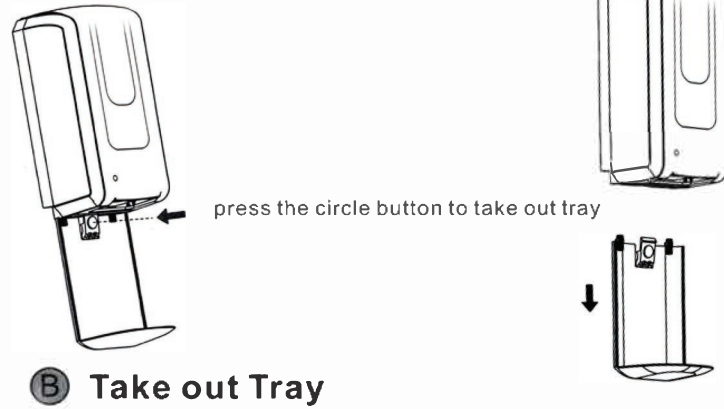
# 5Seconds Touchless Hand Automatic Dispenser Installation

## Water Tray Installation

Dispenser



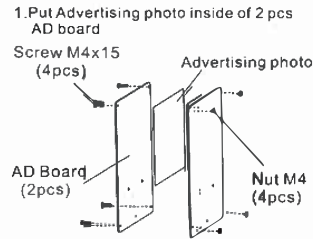
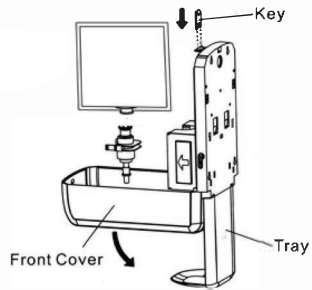
### A Installation



### B Take out Tray

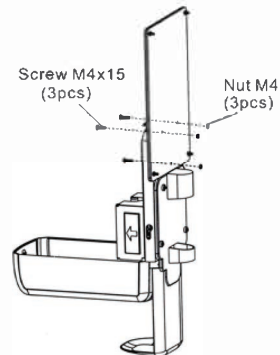
## Automatic Dispenser Set Installation

1. Open it with key, take out the bottle and pump

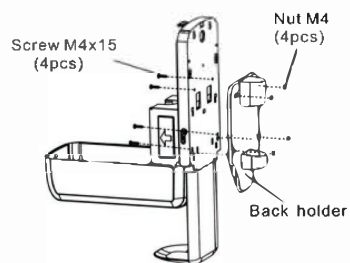


\* Advertising photo size: 18x 18cm

2. Install the AD Board on Automatic Dispenser



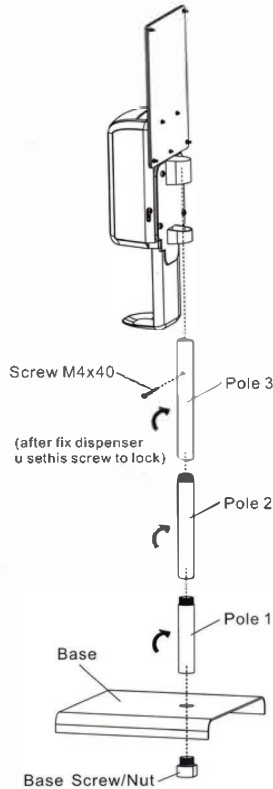
2. Install the back holder with Automatic Dispenser



### Install Back Holder

### B Install AD Board (If Needed)

## Automatic Dispenser Set Installation



### C Install Pole and Base



\* fix 4 pcs C size batteries, fill liquid and turn on the switch. enjoy your health

