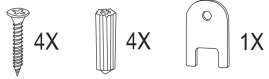


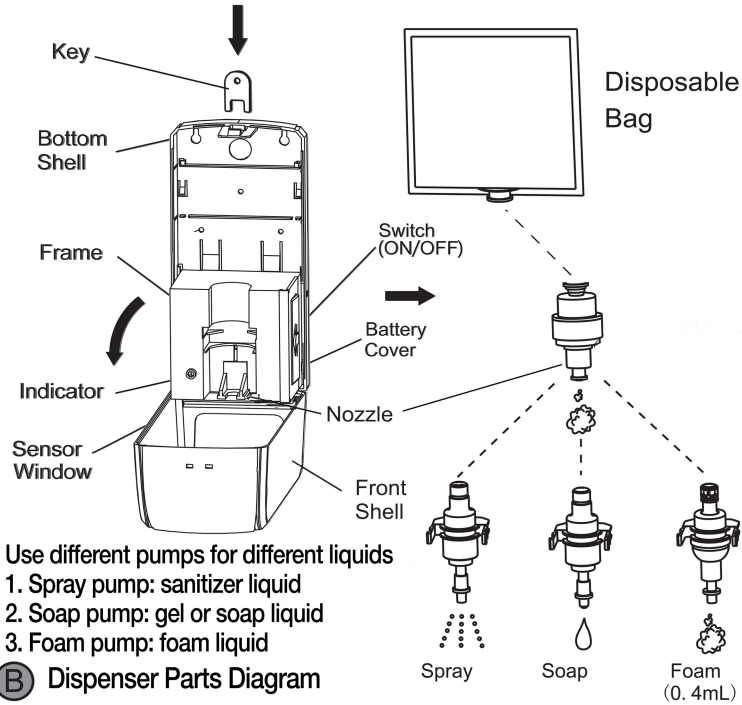
# 5Seconds Touchless Hand Sanitizer Dispenser Installation



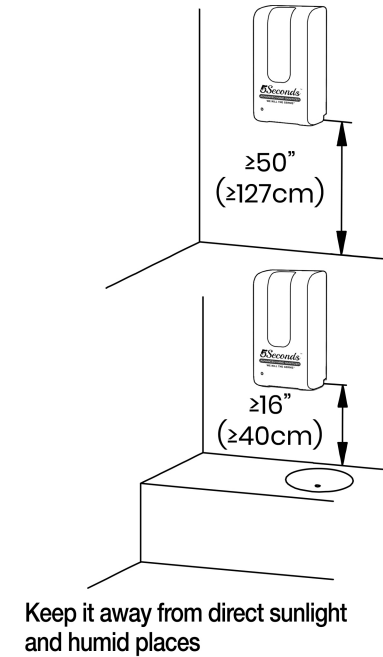
1X \*



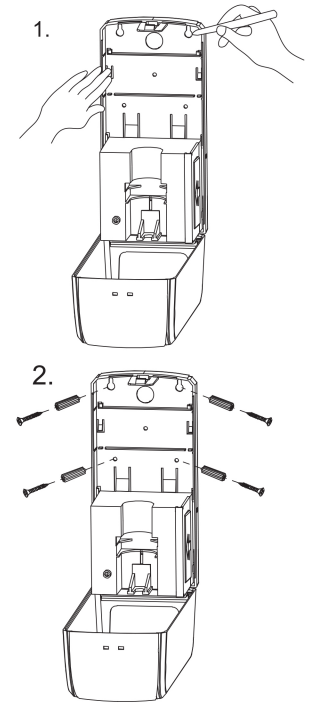
**A** Assembly Parts



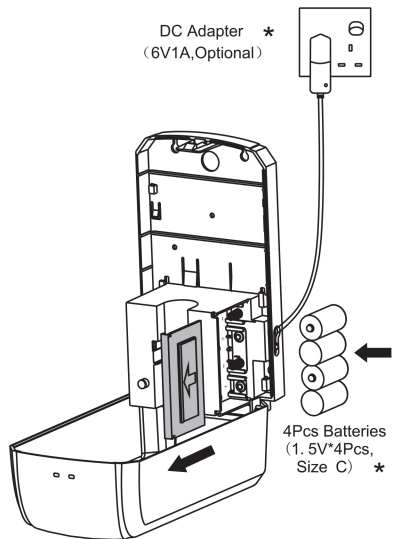
**B** Dispenser Parts Diagram



**C** Installation Height from Floor/Table

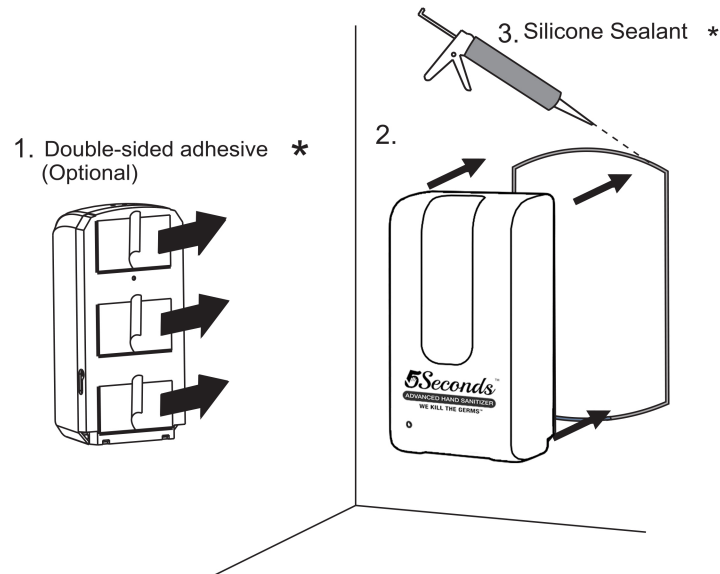


**D** Installation using four screws



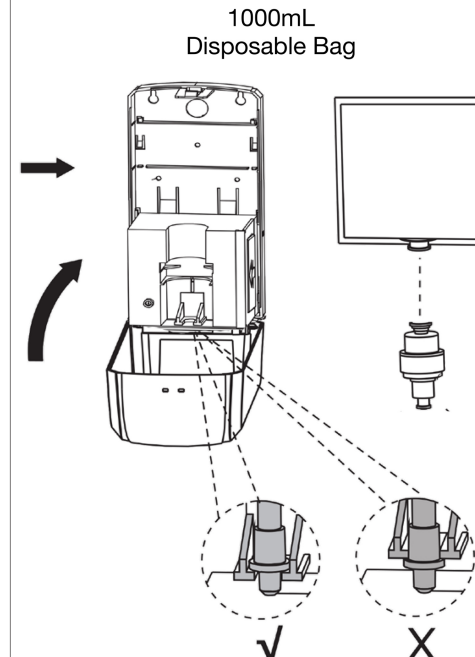
\* Batteries/DC Adapter are not included

**E** Battery/DC Adapter Installation



\* Double-sided adhesive and silicone sealant are not included

**F** Installation using Adhesive Backing



**G** Liquid Refill Installation



LED Light operation

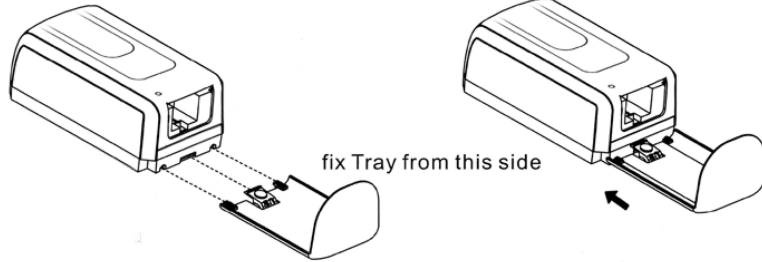
1. 5 second Green Light: normal operation
2. 5 second Red Light: low power (replace batteries)
3. 2 second Red Light: blocked sensor (remove obstacles)

**H** Enjoy Touchless Sanitizing

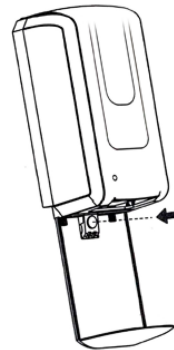
# 5Seconds Touchless Hand Sanitizer Dispenser Installation

## Water Tray Installation

### Soap Dispenser



fix Tray from this side



press the circle button to take out tray

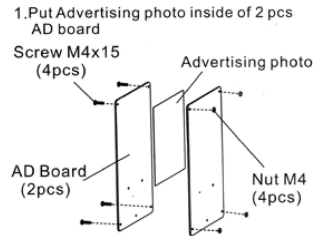
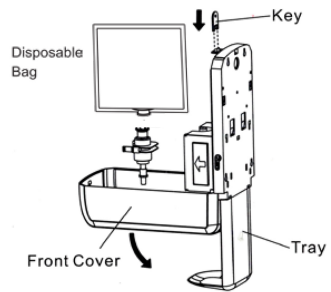


### A Installation

### B Take out Tray

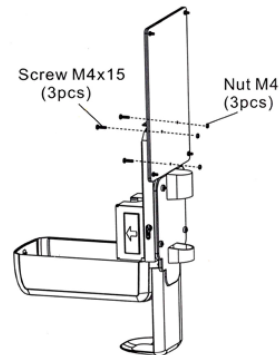
## Dispenser Set Installation

1. Open it with key, take out the bottle and pump

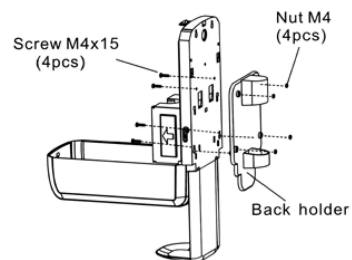


\* Advertising photo size: 18x 18cm

2. Install the AD Board on dispenser

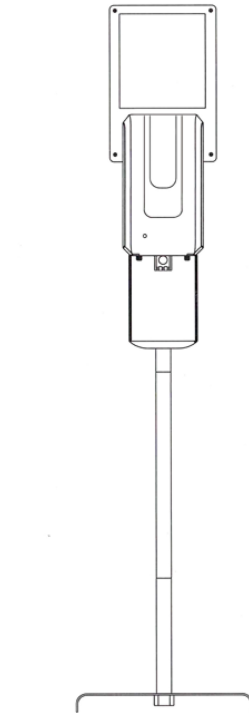
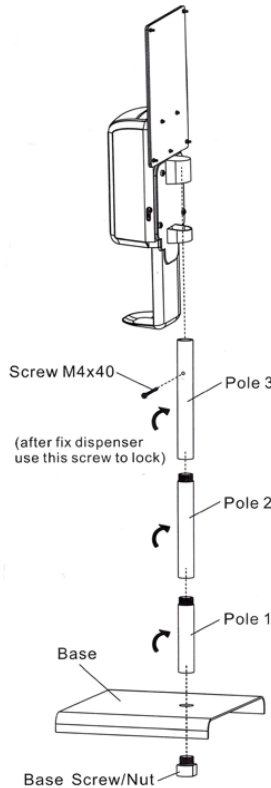


2. Install the back holder with dispenser



Back holder

## Dispenser Set Installation



\* fix 4 pcs C size batteries, fill liquid and turn on the switch. enjoy your health hand sanitizing.

### A Install Back Holder

### B Install AD Board (If Needed)

### C Install Pole and Base

### D Enjoy hand sanitizing

