



**John
BOOS**
Since 1887

ITEM #: _____ QTY: _____
MODEL #: _____
PROJECT NAME: _____

011719

3601 S. Banker St. Effingham, IL 62401 • P.O. BOX 609 • Ph: (888) 431-2667 • Fax: (800) 433-2667

"E1S8-1D" - 1 COMPARTMENT "E-SERIES" SINKS

WITH 1 DRAIN BOARD AND GALVANIZED LEGS



FEATURES:

- 18GA STAINLESS STEEL
- TYPE 300 STAINLESS STEEL WITH #4 POLISH, SATIN FINISH
- 12" AND 14" DEEP BOWLS
- ALL CORNERS, BOTH VERTICAL AND HORIZONTAL, COVED AT 3/4" RADIUS
- BOTTOMS OF BOWLS FORMED FOR DRAINAGE TO 3-1/2" DIAMETER DIE STAMPED OPENING
- FULL LENGTH 9-3/4" HIGH BOXED BACKSPLASH, WITH 2" RETURN TO WALL AT 45 DEGREE AND 1" TILE EDGE
- 1-1/8" FAUCET HOLES IN BACKSPLASH
- ALL OUTSIDE CORNERS OF ASSEMBLY ARE BULLNOSED TO PROVIDE SAFE, CLEAN, AND POLISHED EDGE
- STANDARD GALVANIZED LEGS 1-5/8" DIAMETER

CONSTRUCTION:

- TOP: STAINLESS STEEL SINKS ARE TIG WELDED, EXPOSED WELDS ARE POLISHED TO MATCH ADJACENT SURFACE
- BASE: GALVANIZED STEEL

MATERIAL:

- BOWLS & TOP: 18GA TYPE 300 STAINLESS STEEL WITH #4 POLISH, SATIN FINISH
- LEGS: 1-5/8" ROUND O.D. GALVANIZED STEEL
- GUSSETS: GALVANIZED STEEL
- FEET: 1" PLASTIC BULLET FEET

12" DEEP - 1 COMP SINKS - 18GA

| MODEL | BOWL SIZE (W ₁ X L ₁ X D ₁) | QTY |
|-----------------|---|-----|
| E1S8-1620-12L18 | 16" X 20" X 12" | |
| E1S8-1620-12R18 | 16" X 20" X 12" | |
| E1S8-18-12L18 | 18" X 18" X 12" | |
| E1S8-18-12R18 | 18" X 18" X 12" | |

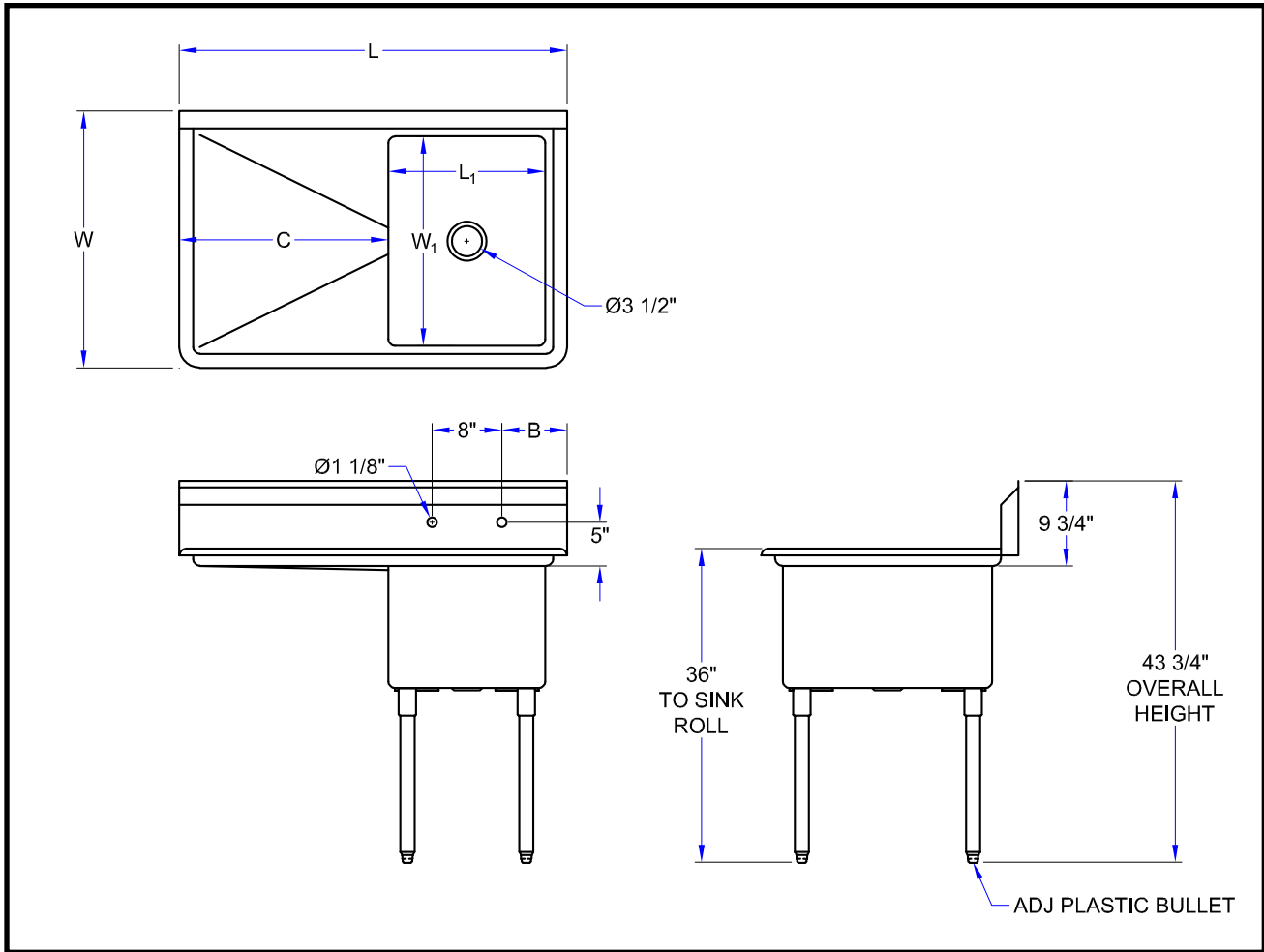
14" DEEP - 1 COMP SINKS - 18GA

| MODEL | BOWL SIZE (W ₁ X L ₁ X D ₁) | QTY |
|-----------------|---|-----|
| E1S8-15-14L15 | 15" X 15" X 14" | |
| E1S8-15-14R15 | 15" X 15" X 14" | |
| E1S8-1824-14L24 | 18" X 24" X 14" | |
| E1S8-1824-14R24 | 18" X 24" X 14" | |
| E1S8-24-14L24 | 24" X 24" X 14" | |
| E1S8-24-14R24 | 24" X 24" X 14" | |



E1S8-1824-14L24

DETAILED SPECIFICATIONS



12" DEEP - 18GA - "E1S8" 1 COMPARTMENT "E-SERIES" SERIES SINKS

| MODEL | L | W | L1 | W1 | A | B | C | WT (LBS) |
|-----------------|---------|---------|-----|-----|-----------|--------|-----|----------|
| E1S8-1620-12L18 | 36-1/2" | 25-1/2" | 16" | 20" | 12-15/16" | 6-1/2" | 18" | 47 |
| E1S8-1620-12R18 | 36-1/2" | 25-1/2" | 16" | 20" | 12-15/16" | 6-1/2" | 18" | 47 |
| E1S8-18-12L18 | 38-1/2" | 23-1/5" | 18" | 18" | 11-15/16" | 7-1/2" | 18" | 47 |
| E1S8-18-12R18 | 38-1/2" | 23-1/5" | 18" | 18" | 11-15/16" | 7-1/2" | 18" | 47 |

14" DEEP - 18GA - "E1S8" 1 COMPARTMENT "E-SERIES" SERIES SINKS

| MODEL | L | W | L1 | W1 | A | B | C | WT (LBS) |
|-----------------|---------|---------|-----|-----|-----------|---------|-----|----------|
| E1S8-15-14L15 | 32-1/2" | 20-1/2" | 15" | 15" | 10-7/16" | 6" | 15" | 36 |
| E1S8-15-14R15 | 32-1/2" | 20-1/2" | 15" | 15" | 10-7/16" | 6" | 15" | 36 |
| E1S8-1824-14L24 | 44-1/2" | 29-1/2" | 18" | 24" | 14-15/16" | 7-1/2" | 24" | 58 |
| E1S8-1824-14R24 | 44-1/2" | 29-1/2" | 18" | 24" | 14-15/16" | 7-1/2" | 24" | 58 |
| E1S8-24-14L24 | 50-1/2" | 29-1/2" | 24" | 24" | 14-15/16" | 10-1/2" | 24" | 64 |
| E1S8-24-14R24 | 50-1/2" | 29-1/2" | 24" | 24" | 14-15/16" | 10-1/2" | 24" | 64 |

SOME UNITS SHIP UNASSEMBLED FOR REDUCED SHIPPING COST. ALL DIMENSIONS ARE TYPICAL. TOLERANCE +/- .500"

John Boos & Co. is constantly engaged in a program of improving products and therefore reserves the right to change specifications without prior notice.



3601 S. Banker St. • Effingham, IL 62401 • PO BOX 609 • quotes@johnboos.com

110818

Boos
lock

AQ AutoQuotes

www.johnboos.com

165