

# IVEX-1000

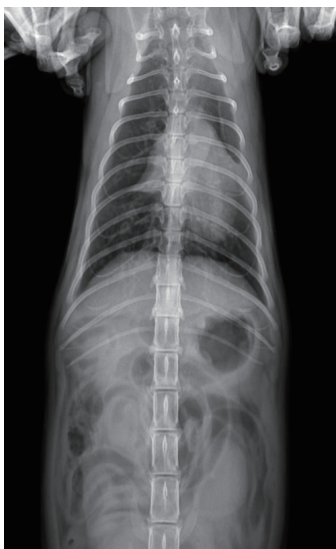
## Veterinary Portable X-RAY



### Overview

- Clear Images (focal spot : 0.8mm)
- Light weight, perfect portable (3.8kg with Battery)
- Amazing performance (80kV / 5mA)
- More than 100 shots with full charge battery
- Able to shot X-ray even while charging
- Clear collimator beam
- Laser SID measurement

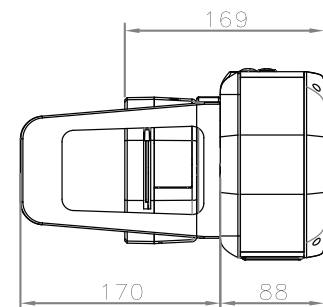
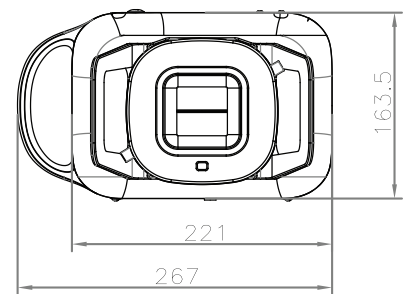
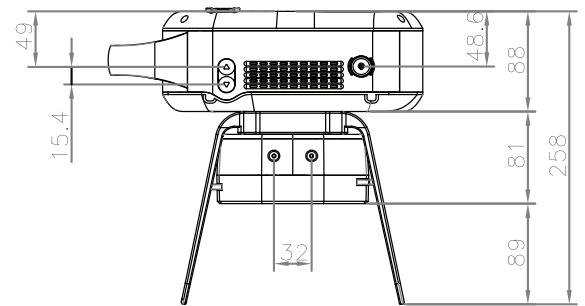
### High Quality Images



## IVEX-1000 Specifications

<b>X-ray Generator</b>	Type	MEDICAL
	Power Output	400 W
<b>X-ray Performance</b>	Tube Voltage	50 ~ 80 kV (1 kV step)
	Tube Current	2 ~ 5 mA (1 mA step)
<b>X-ray Control</b>	Exposure Time Set	Time : 0.03 ~ 2,00 sec 0.03 ~ 0.20 (10 msec step) 0.20 ~ 2.00 (50 msec step)
<b>Collimator</b>	SID	SID 100cm / 43cm x 43cm
<b>X-ray Tube</b>	Anode Type	Stationary
	Anode Angle	16 Degrees
	Focal Spot	0.8 mm
	Anode Heat Capacity	8000 J
	Max. Anode Cooling Rate	110 W
	Nominal Anode Input Power at 0.1 s (DC)	1280 W
<b>Power Requirement</b>	Battery	Li-Polymer 22.2 VDC, 1450 mAh
	Number of Exposure	About more than 100 times at 70 kV, 5 mA, 0.1 sec
	AC Power Adapter	AC 100 ~ 240 V, 50/60 Hz
	Charging Time of Battery	About 1.5 ~ 2.0 hour
<b>Weight</b>	Main Body	3.8 kg
<b>Dimension</b>	Main Body	266 x 260 x 163 mm

## Dimension



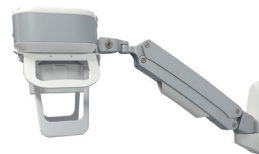
## Various Option



Basic Stand



Deluxe Stand



Wall Bracket



Wall Stand