

ASSEMBLY INSTRUCTION

FDG02

Assembly Sequence

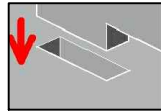
1. Connect the rear door section to the base, affix using glue.
2. Ensure that the door is at 45 degrees to the base.
3. Glue the front door section to the base and the rear door section.
4. Glue the window to the door.
5. Glue the door knocker to the door.
6. Glue the left and right climbing plants into the base.
7. Glue the hedgehog into the base.
8. Glue the flower pot into the base.
9. Glue the sign onto the signpost.
10. Glue the signpost into the base.
11. Place the door mat in front of the door.
12. Attach you butterfly.

Tools Required

1. Paint
2. Glue
3. Craft knife
4. Masking tape

Assembly tips :

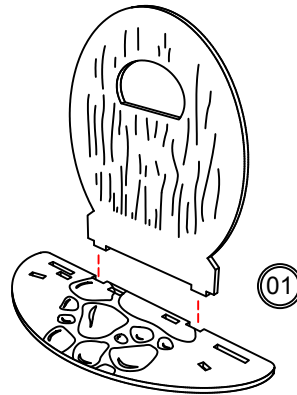
Press the tabs firmly into the slots in the base, add glue to make assembly permanent.



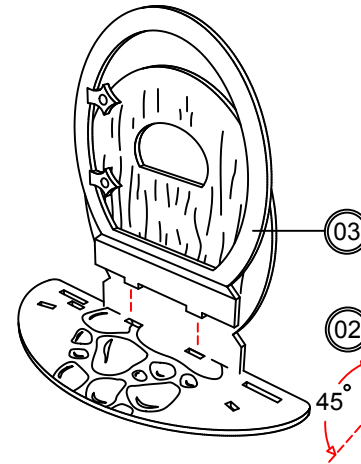
Warning!

1. Take care when decorating, try not to get paint onto the tabs and in the slots as this will make assembly difficult.
2. Use masking tape to protect tabs during painting.

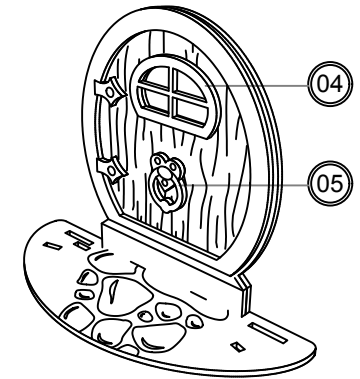
A



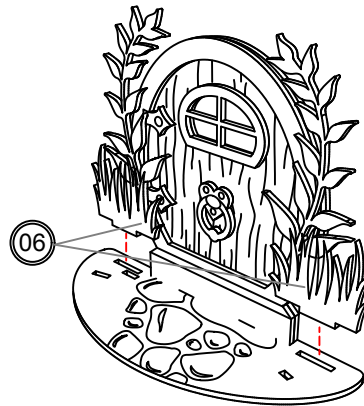
B



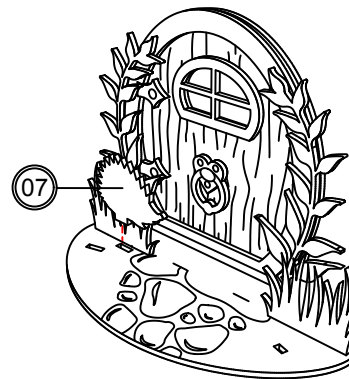
C



D



E



F

