

# ASSEMBLY INSTRUCTION

FDG05



## Assembly Sequence

1. Connect the rear door section to the base, affix using glue.
2. Ensure that the door is at 45 degrees to the base.
3. Glue the front door section to the base and the rear door section.
4. Glue the tree trunk and the flower garden into the base.
5. Glue the door knocker to the door.
6. Glue the left and right picket fences into the base.
7. Glue the sign to the tree trunk.
8. Glue the tree leaves to the tree.
9. Place the door mat in front of the door.

## Tools Required

1. Paint
2. Glue
3. Craft knife
4. Masking tape

## Assembly tips :

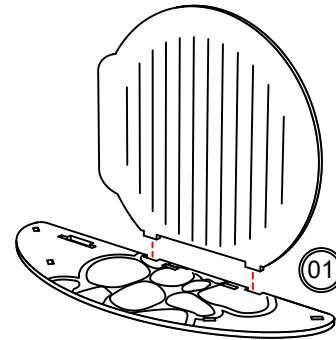
Press the tabs firmly into the slots in the base, add glue to make assembly permanent.



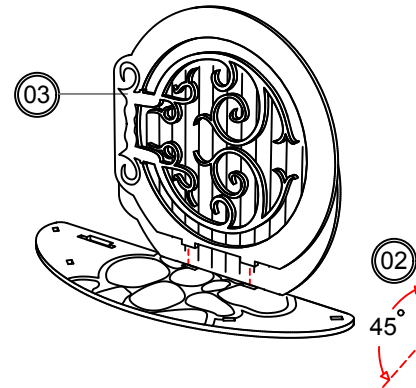
## Warning!

1. Take care when decorating, try not to get paint onto the tabs and in the slots as this will make assembly difficult.
2. Use masking tape to protect tabs during painting.

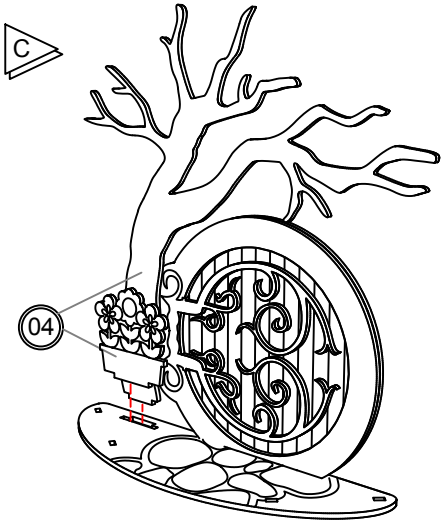
A



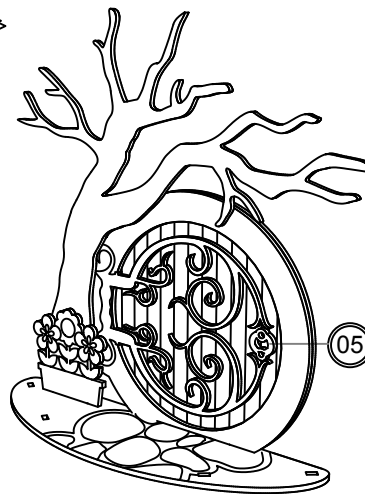
B



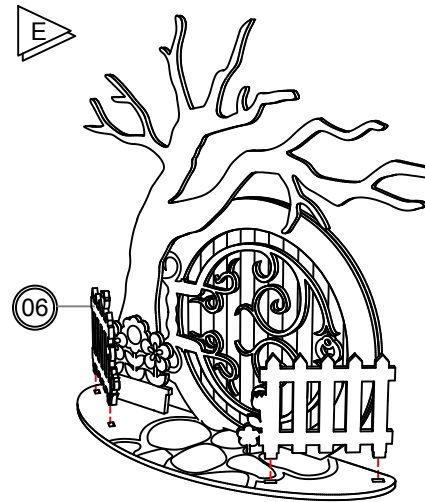
C



D



E



F

