

Molteni & C

BARBICAN — RODOLFO DORDONI 2018

1—
6



A series of comfortable chairs suitable for all types of interiors. The design is based on a built-in padded seat, open or complete with armrests, the rigid polyurethane frame of which can be upholstered in fabric, leather, either totally or alternatively using the two materials that highlight the enveloping shape. Now also available in bonded hide leather with carefully and lovingly fashioned details. The seat can be matched with three types of base, composed of different materials such as wood or metal, in two versions, which make Barbican perfect for use in different contexts. The wooden base with linked curves is a perfect match for important tables. The metal one, with its modern design, is perfect both around a table or used with desks or Console tables in a home office. The tubular one is light and airy, ideal for contract projects where sturdiness and practicality are of primary importance. Barbican is a polyhedric design that redefines the chair in a contemporary key.



This symbol shows that the product has removable upholstery. Only qualified personnel can remove the upholstery of some of our products. If this information is pertinent, it will be included in the warnings section.



This symbol shows that the product is available on request in a fire resistant version that complies with the standards BS 5852 and TB 117-2013. The buyer is responsible for checking to make sure that the product is suitable and compliant with the requirements for the designated use and the current applicable laws and standards for the destination and use of the product.

DATASHEET

REGISTERED
DESIGN

IX.2020

FINISHES

NOTES

- **Fabric/leather upholstered versions have completely removable covers. We advise consulting experienced personnel to avoid damaging the product or the single components.**
- **Upholstery in bonded hide leather is NOT removable.**

WOOD BASES FINISHES

Solid wood stained:

eucalyptus - grey oak - graphite oak - black oak - walnut

METAL BASES FINISHES

Fixed bases

die-cast aluminium painted pewter colour / zinc - pipe metal painted pewter colour / zinc

Swivel version bases

die-cast aluminium with swivel mechanism glossy painted pewter colour or shiny aluminium

BONDED HIDE LEATHER FINISHES

ivory - black - dark brown - natural - mud green - dove grey

TECHNICAL INFORMATION

BACKREST SHELL STRUCTURE (FABRIC/LEATHER VERSIONS)

Compact polyurethane with polyurethane infill. Cover in cotton/polyester fibre.

SEAT SHELL STRUCTURE (CHAIR AND CHAIR WITH ARMRESTS - FABRIC/LEATHER VERSIONS)

Compact moulded polyurethane, with flexible cold-moulded polyurethane foam. Cover in cotton/polyester fibre.

SHELL STRUCTURE (BONDED HIDE LEATHER VERSIONS)

Compact moulded polyurethane, with flexible cold-moulded polyurethane foam. Cover in cotton/polyester fibre.

BASES

Laser-cut, welded and painted steel. Ferrules in non-slip plastic.

Solid ash wood stained in the colours of the Molteni range. Ferrules in non-slip plastic.

Die-cast aluminium elements assembled with thermosetting resins. Ferrules in non-slip plastic.

Die-cast shiny or painted aluminium; non-slip plastic ferrules.

REMOVABLE OUTER COVER

(See enclosed label, specific for the cover in question).

In the bonded hide leather version, the cover is not removable.

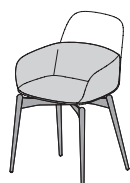
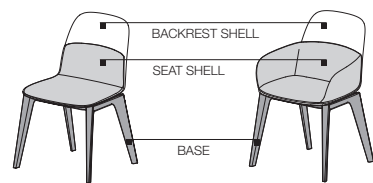


UPHOLSTERY
REMOVABLE FABRIC/LEATHER
BONDED HIDE LEATHER
VERSION UPHOLSTERY IS
NOT REMOVABLE



AVAILABLE IN FIRE-RESISTANT
VERSION TB117 AND BS5852

Fabric/leather versions



SWIVEL BASE

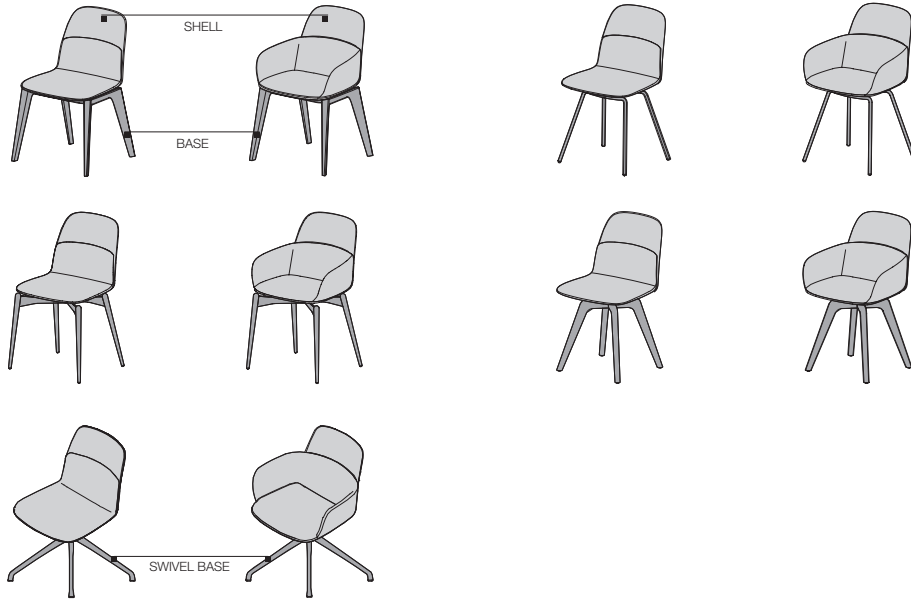
DATASHEET

REGISTERED
DESIGN

IX.2020

TECHNICAL INFORMATION

Bonded hide leather versions















Molteni & C

3—
6

DIMENSIONS

When ordering, specify in this sequence:
1- Type of base and finish
2- Seat shell cover
3- Backrest shell cover

Fabric/leather versions

chair					
BSE4		BSE1			
wood base		wood base			
47			81		
18 1/2"		31 7/8"		18 7/8"	31 7/8"
48		55	48	55	
18 7/8"		21 5/8"	18 7/8"	21 5/8"	
					
BSE2		BSE3			
base aluminium die-cast		base pipe metal			
					
48	55	48	55		
18 7/8"	21 5/8"	18 7/8"	21 5/8"		
					

DATASHEET

REGISTERED
DESIGN

IX.2020

moltenigroup.com

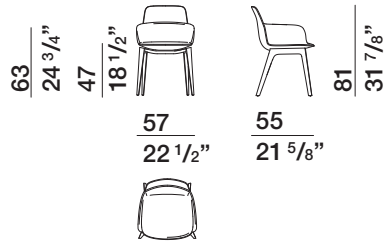
Dimensions in centimeters and inches. The right to discontinue and make changes is reserved. This information is based on the latest product information available at the time of printing.

DIMENSIONS

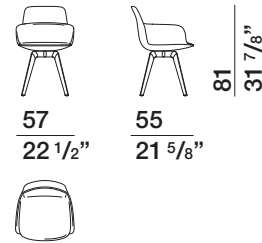
Fabric/leather versions

chair with arms

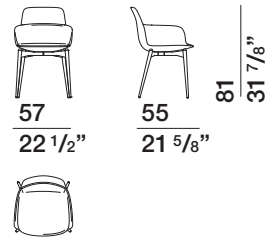
BSB4
wood
base



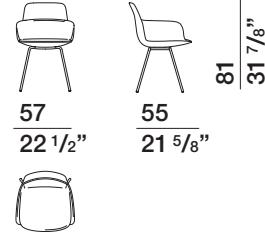
BSB1
wood
base



BSB2
base
aluminium
die-cast

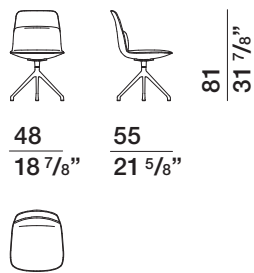


BSB3
base
pipe metal



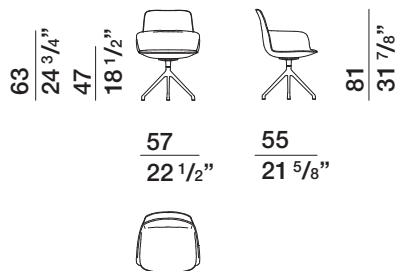
chair

BSE5
4-star swivel base



chair with arms

BSB5
4-star swivel base



DATASHEET

REGISTERED
 DESIGN

IX.2020

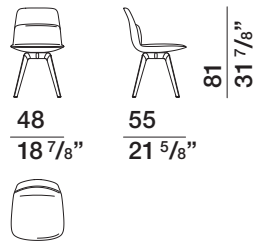
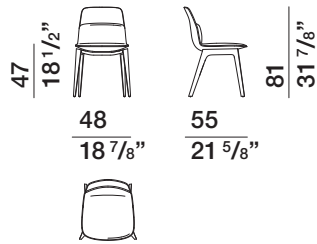
DIMENSIONS

Bonded hide leather versions

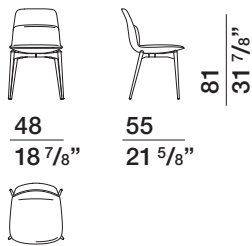
chair

BSE4
 wood base/
 bonded hide leather

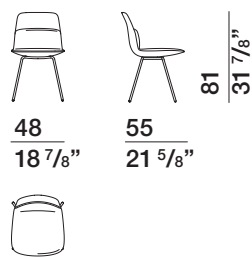
BSE1
 wood base/
 bonded hide leather



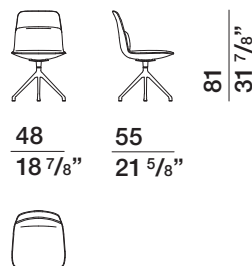
BSE2
 base
 aluminium die-cast/
 bonded hide leather



BSE3
 base pipe metal/
 bonded hide leather



BSE5
 4-star swivel die-cast base/
 bonded hide leather



DATASHEET

REGISTERED
 DESIGN

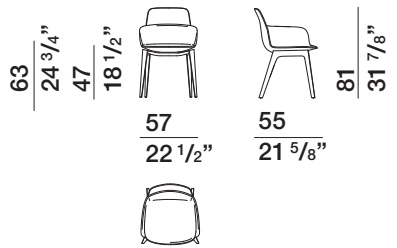
IX.2020

DIMENSIONI

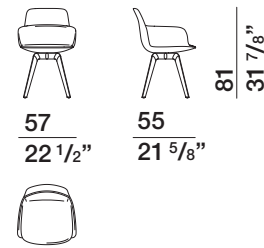
Bonded hide leather versions

chair with arms

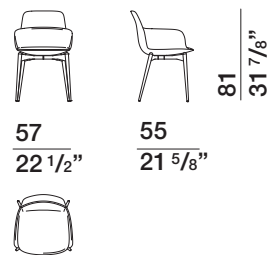
BSB4
wood base/
bonded hide leather



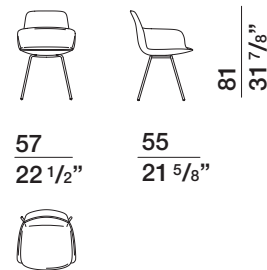
BSB1
wood base/
bonded hide leather



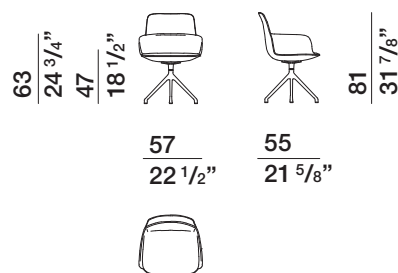
BSB2
base
aluminium die-cast/
bonded hide leather



BSB3
base pipe metal/
bonded hide leather



BSB5
4-star swivel die-cast base/
bonded hide leather



DATASHEET

REGISTERED
DESIGN

IX.2020