

This is a written description of the steps illustrated in the manual. Each step corresponds directly to the same step in the drawings. Please take it as a supplement and use both.

1. take the square tubes with 8 holes and place a round tube in each of the larger holes and use one of the screws (from the pack of 16 screws). We recommend using a cordless screwdriver to be able to screw more efficiently. Do not tighten the screw to 100%, we recommend about 80%.

2. do the same with the other square tube. You can use the guide on the inside of the box to help you by propping the already screwed pipe against a wall and inserting the round pipes into the "V" spaces, which will hold the pipes in position so that you can insert the square pipe more easily. Tighten the screws to 80%.

3. connect the plastic corners to each end of the longer square tubes.

4. connect these parts to the other square tubes already installed to complete the frame.

5. now tighten the 16 screws to 100%.

6. place the LIFT frame on the ceiling where you want to hang it and mark each corner. To make it easier to raise and lower the dryer, mark the two double rollers approx. 15 cm from the dryer (towards the center of the room) and 10 cm from the ceiling.

The hook should be marked in a vertical line below the double rollers.

Remember that the distance between the double castors and the hook is the maximum height that the dryer can be lowered. Once this height is determined, place the hook (point down) and mark the two holes of the hook.

7. drill the 4 points on the ceiling and the first 2 points on the wall (where the 2 double rollers will be placed) using the drill and a drill bit N° 8. For the two holes that need to be drilled to attach the hook, use a N° 6 drill bit.

8. in the holes in the ceiling and in the wall (where the 2 double castors will be installed), insert an N° 8 dowel in each of the 6 holes, followed by an eyebolt. Insert N° 6 dowels into the 2 holes for the hook.

9. attach a snap hook to each of the 6 eyebolts, then attach the 4 single rollers to the ceiling and the two double rollers to the wall. Attach the hook (with the point facing downwards) using the two screws included in the same bag as the hook.)

10. cut the rope into 4 pieces using scissors and a centimeter ruler:
2 x 4.5 m and 2 x 5.5 m.

Tip! Burn the ends of the ropes a little to seal the rope.

11. attach the ropes to each of the corners and tie a knot. Remember that these 4 knots will hold the entire weight of the clothesline, so we recommend making a double or triple knot so that the rope does not slip out of the corner (TIP: Heat the rope at the ends a little with a lighter so that the threads melt together and it is easier to thread the rope into the hole).

Attach the 2 longer ropes to the 2 corners furthest away from the wall to which the hook is to be attached. The 2 shorter ropes are attached to the 2 corners closest to the same wall. Pass the ropes through the corresponding pulleys on the ceiling and then through the pulleys on the wall WITHOUT crossing them.

12. pull the LIFT by the 4 ropes so that the frame reaches the maximum height (contact with the ceiling) and is thus leveled. Hold it in this position and tie a knot with the 4 ropes at least 10-15 cm below the hook.

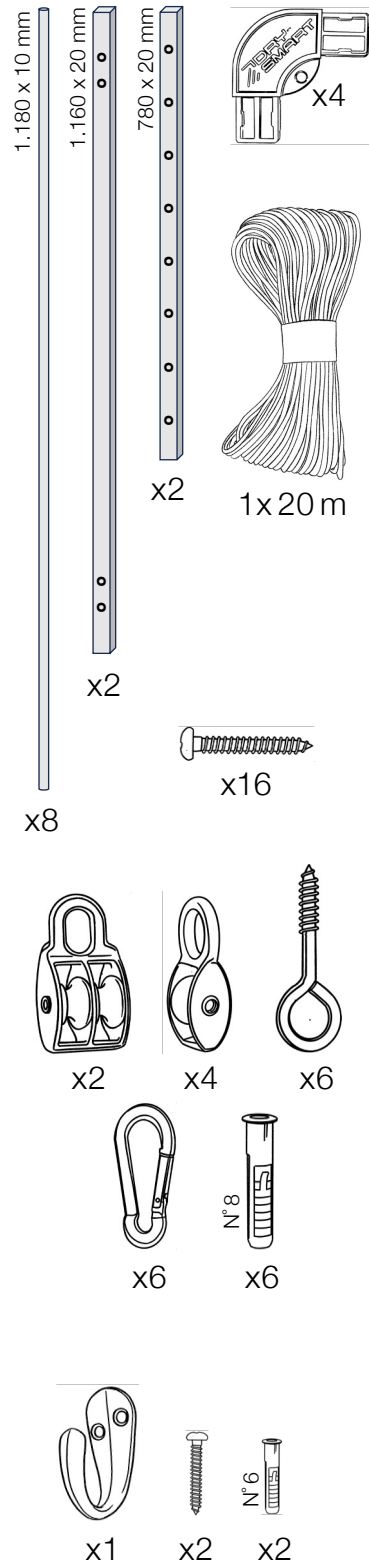
13. tie further knots along the remaining rope at the points where you want to hold the LIFT at this height. Tie a final knot at the end and cut the ropes to dispose of them.

LIFT

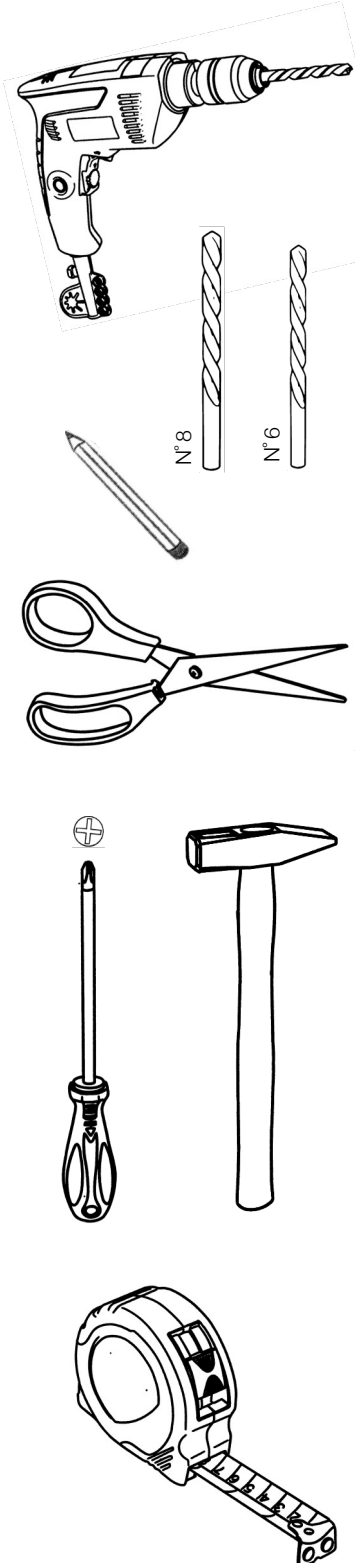


ANLEITUNG

INHALT



BENÖTIGT WIRD



Bitte beachten Sie vor der Installation die folgenden Hinweise:

- Der LIFT muss einen Mindestabstand von 20 cm zu einer Wand oder Säule haben.
- Der LIFT benötigt in der hochgezogenen Position einen Mindestabstand von 15 cm von der Decke.
- Bei der Montage des Wandhakens ist zu beachten, dass der Abstand zwischen Haken und Wandrollen die maximale Länge ist, die der LIFT heruntergelassen werden kann.
- Beschreibung zum nachlesen hier:

DEUTSCH ENGLISH

ITALIANO ESPAÑOL

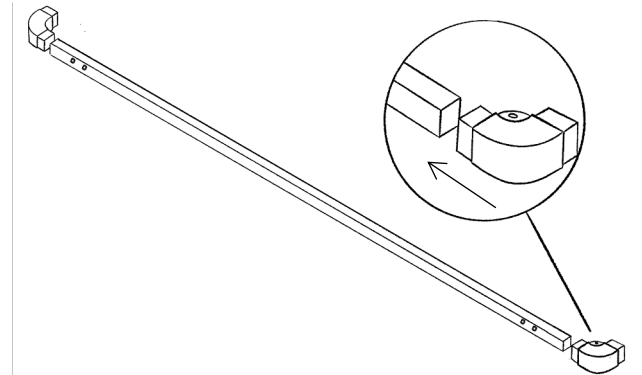
FRANÇAIS

dry-smart.com/pages/instructions



dry-smart.com/pages/instructions

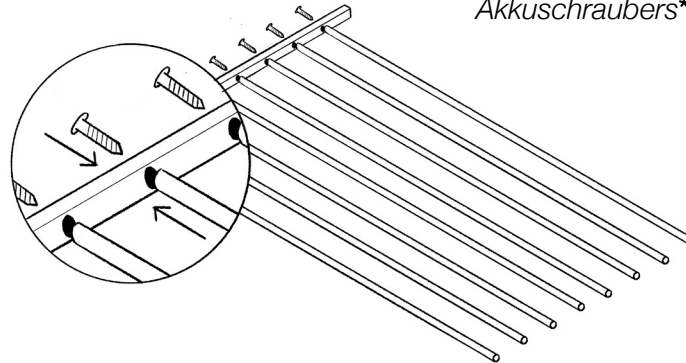
3



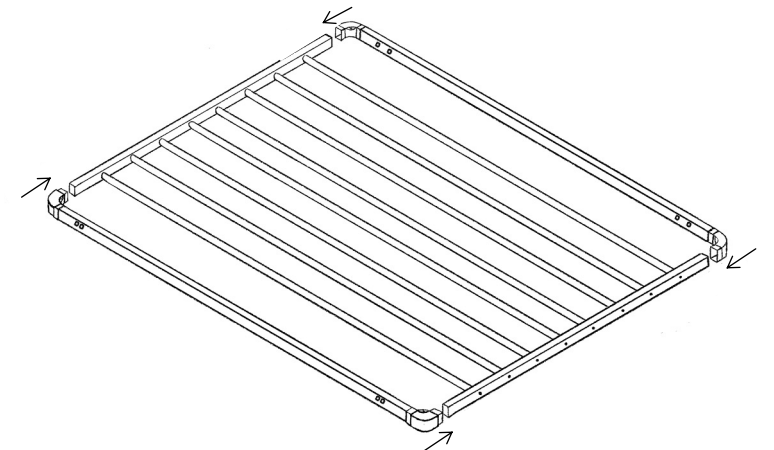
1

Lassen Sie die Schrauben ein wenig locker

Wir empfehlen die Verwendung eines Akkuschraubers



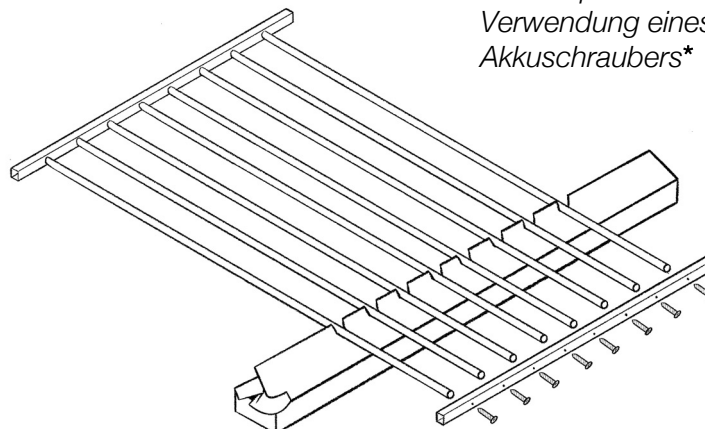
4



2

Optional: Sie können die der Packung beiliegende Schablone verwenden, um sich bei der Montage des zweiten Rohrs zu helfen.

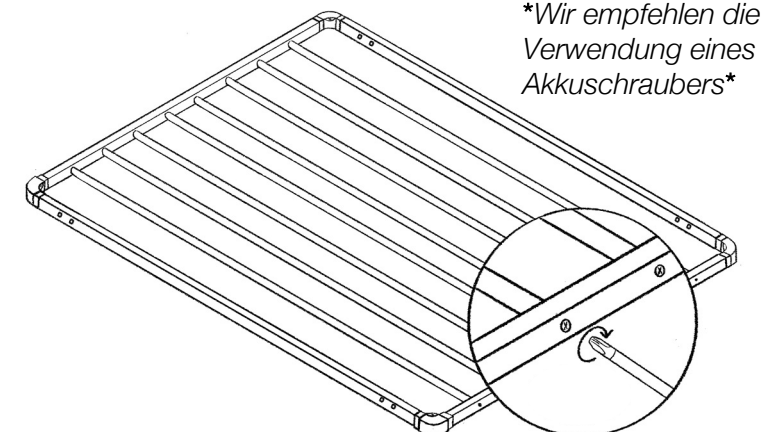
Wir empfehlen die Verwendung eines Akkuschraubers

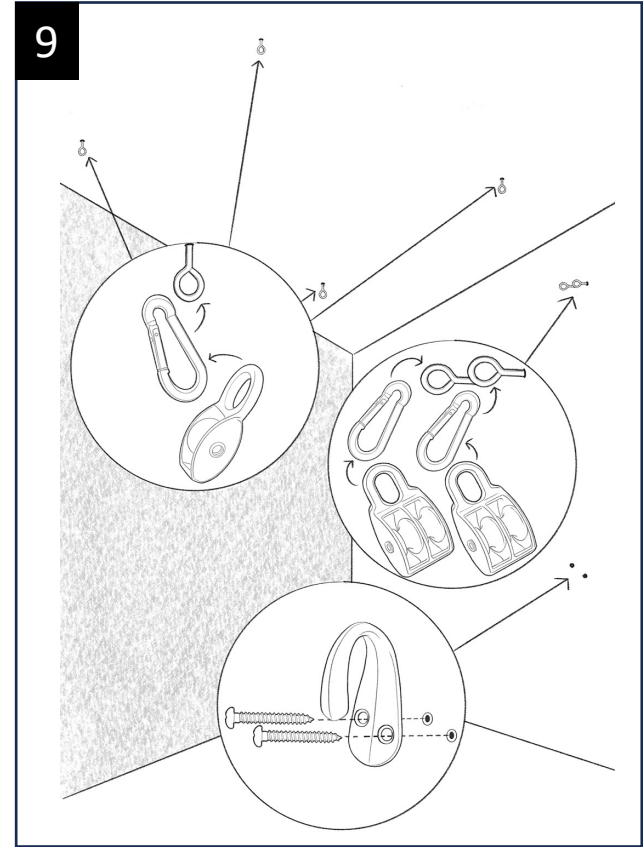
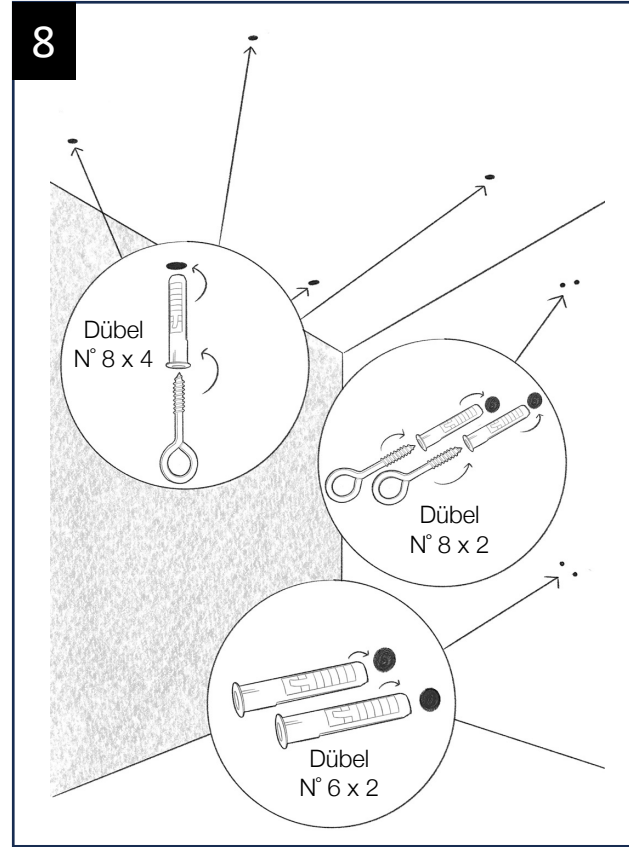
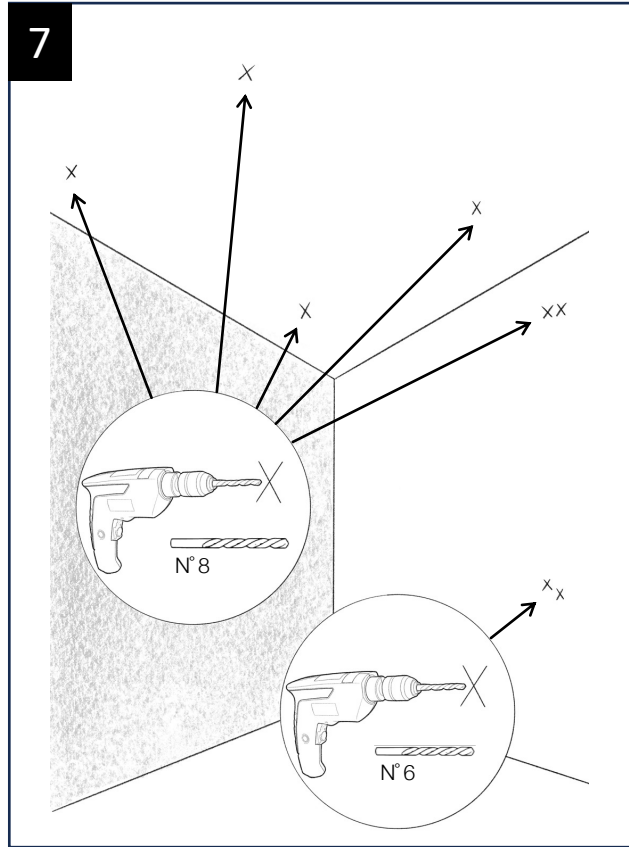
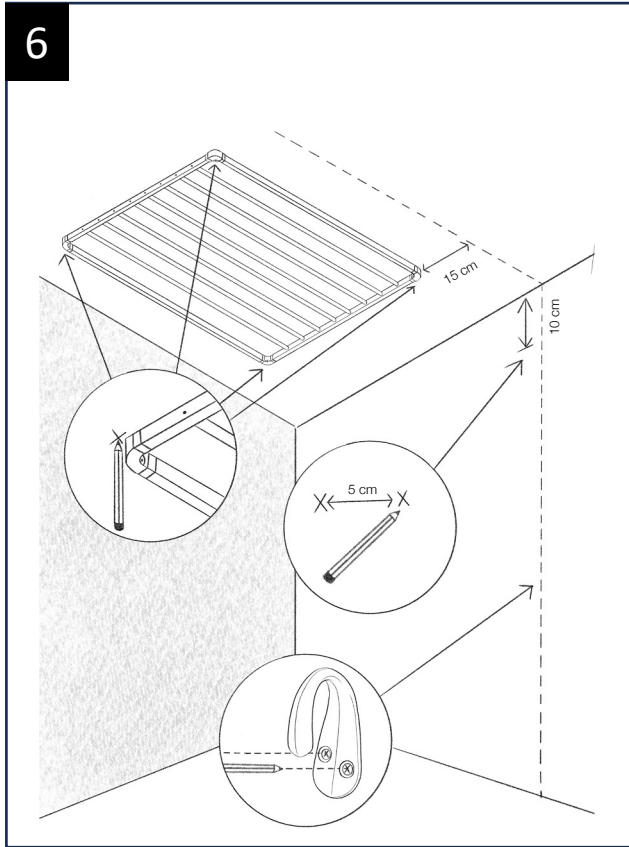


5

Ziehen Sie alle 16 Schrauben zu 100% fest.

Wir empfehlen die Verwendung eines Akkuschraubers





DAY-SMART

DAY-SMART

DAY-SMART

DAY-SMART

DAY-SMART

DAY-SMART

DAY-SMART

