

2023 Ford Truck Maverick AWD L4-2.0L Turbo

Vehicle > Body and Frame > Bumper > Front Bumper > Front Bumper Cover / Fascia > Service and Repair > Overhaul

FRONT BUMPER COVER

501-19 Bumpers

Disassembly and Assembly

2023 - 2024 Maverick

Procedure revision date: 07/13/2021

Front Bumper Cover

Special Tool(s) / General Equipment

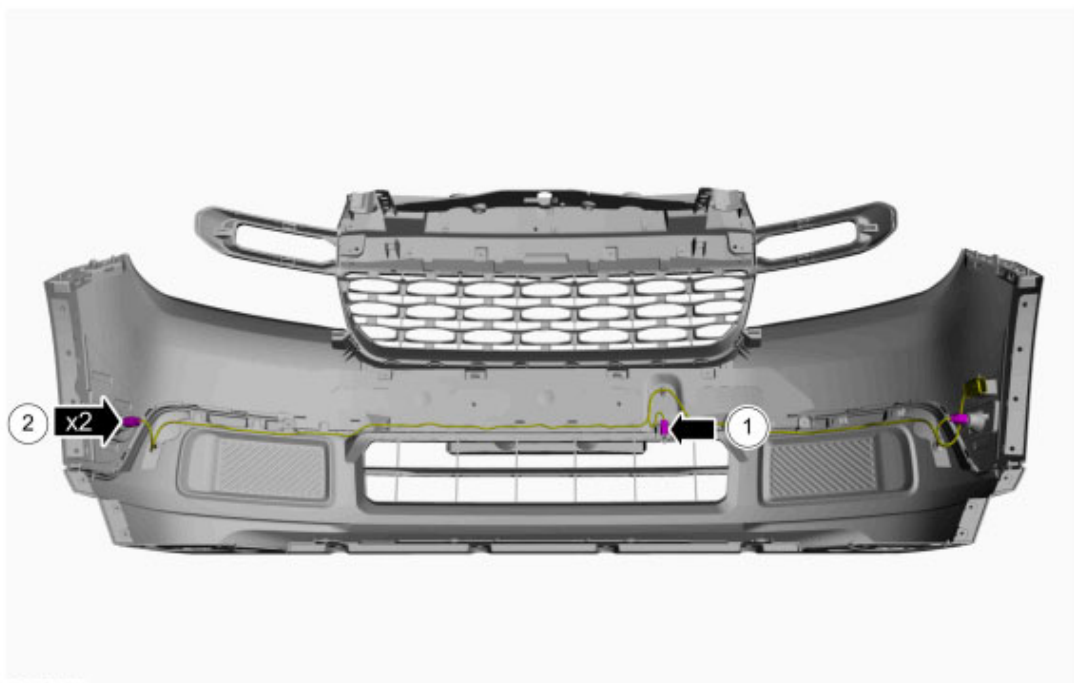
Electric Drill

Hot Air Gun

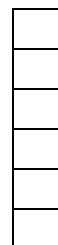
DISASSEMBLY

NOTE: Disassembly steps in this procedure may contain assembly details.

1. Remove the front bumper cover.
Refer to: Front Bumper Cover (501-19 Bumpers, Removal and Installation).
2. **NOTE:** The number and location of electrical connectors will vary depending on option content.
 1. Disconnect the ambient air temperature sensor electrical connector.
 2. Disconnect the side marker lamp electrical connectors.

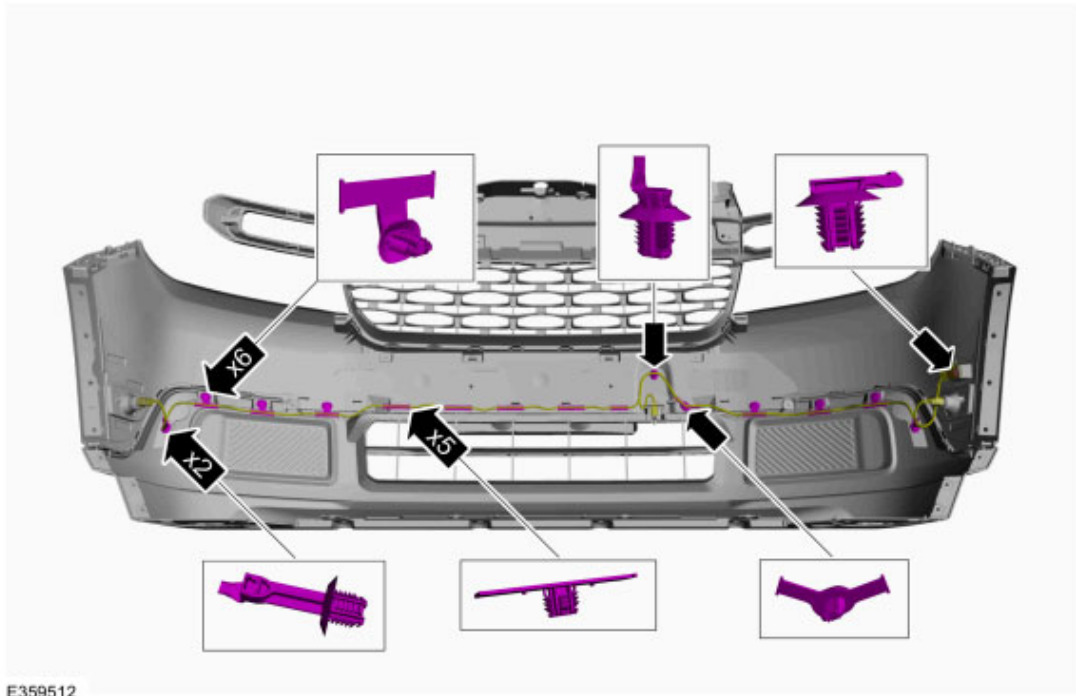


E359511



3. **NOTE:** The number and location of retainers will vary depending on option content.

Separate the harness guides, harness retainers and remove the front bumper cover harness.

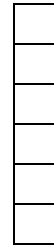
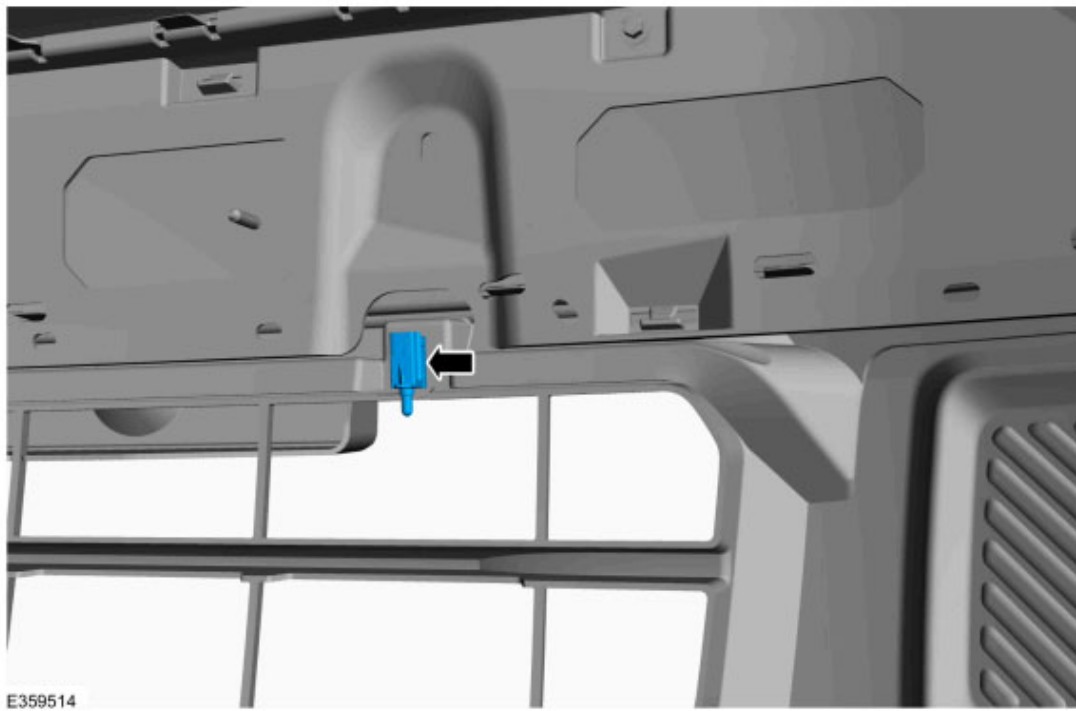


4. On both sides.

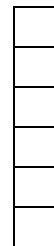
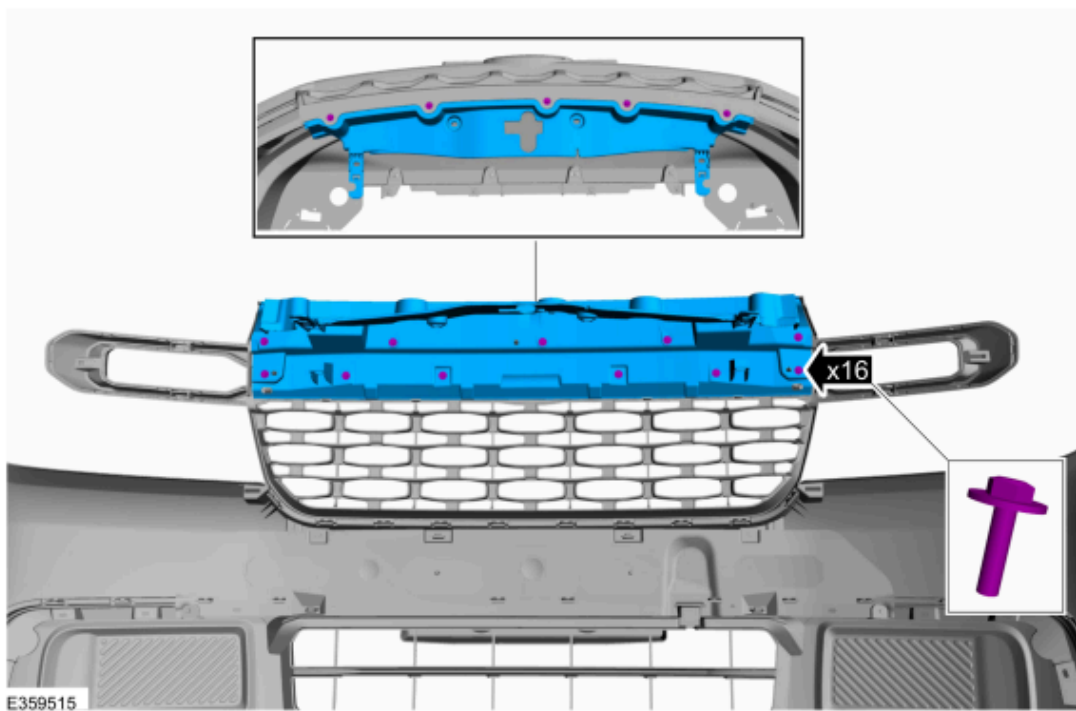
Release the tabs and remove the side marker lamp.



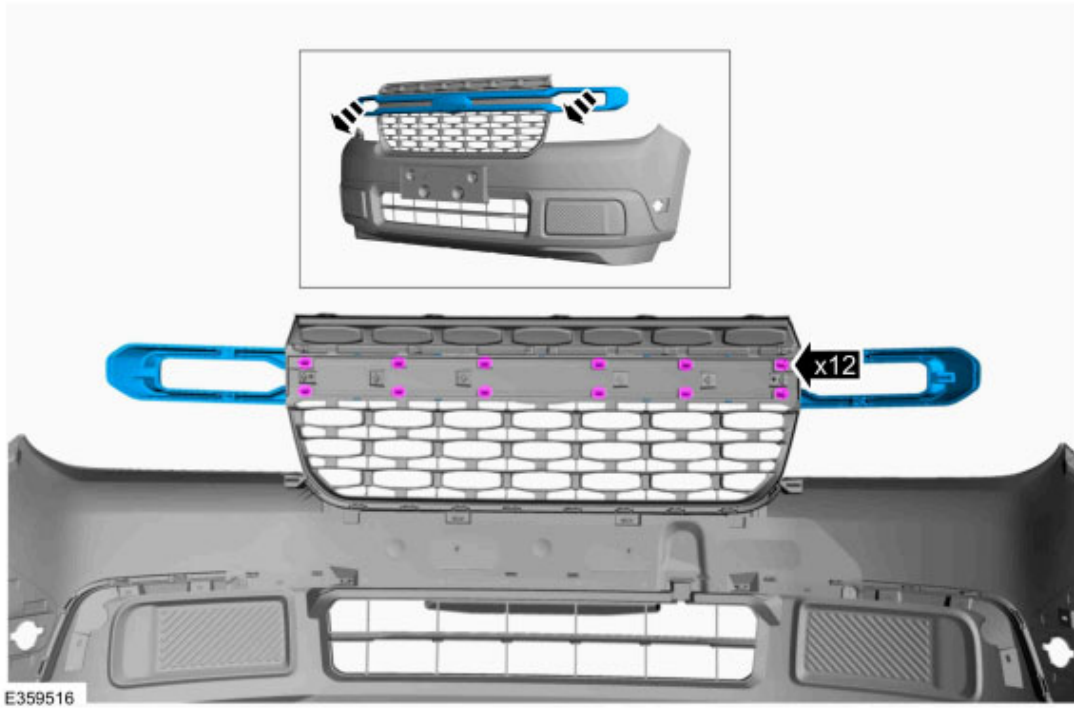
5. Detach and remove the ambient air temperature sensor.



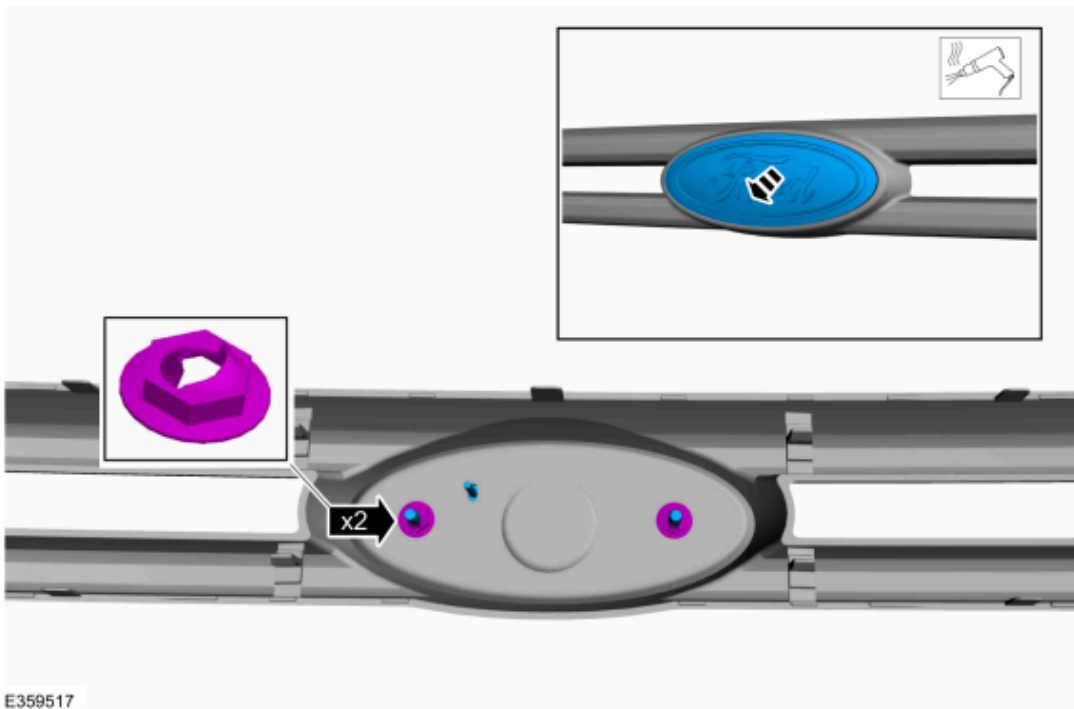
6. Remove the screws and the front bumper cover reinforcement mounting bracket.
Torque: 18 lb.in (2 Nm)



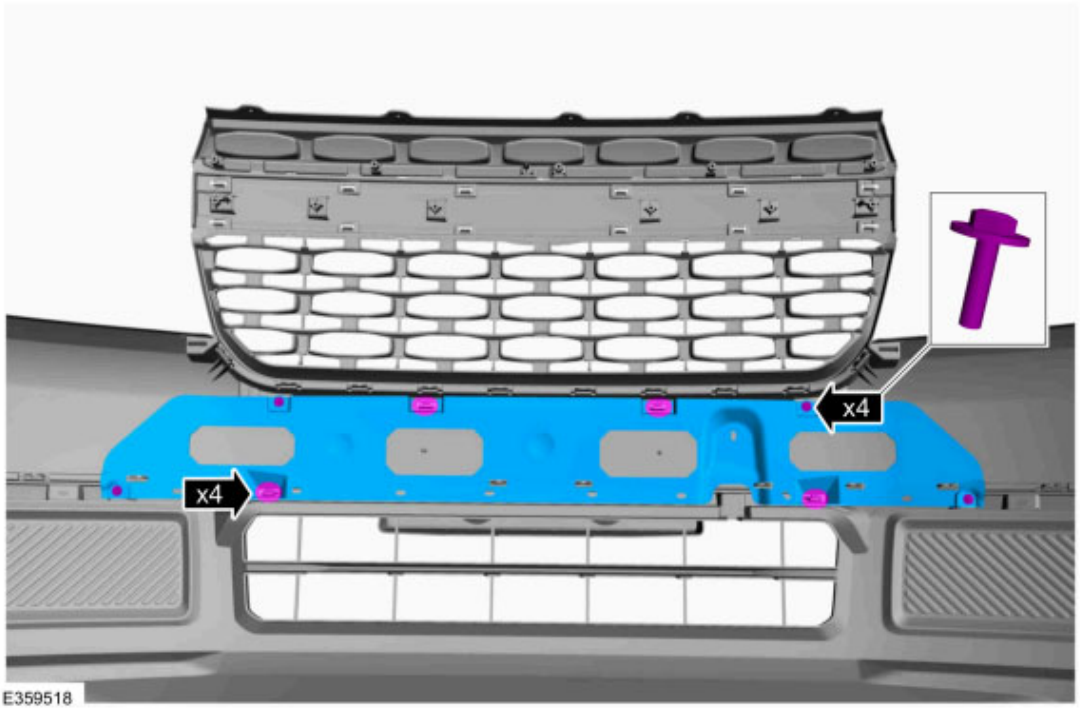
7. Release the tabs and remove the radiator grille molding.



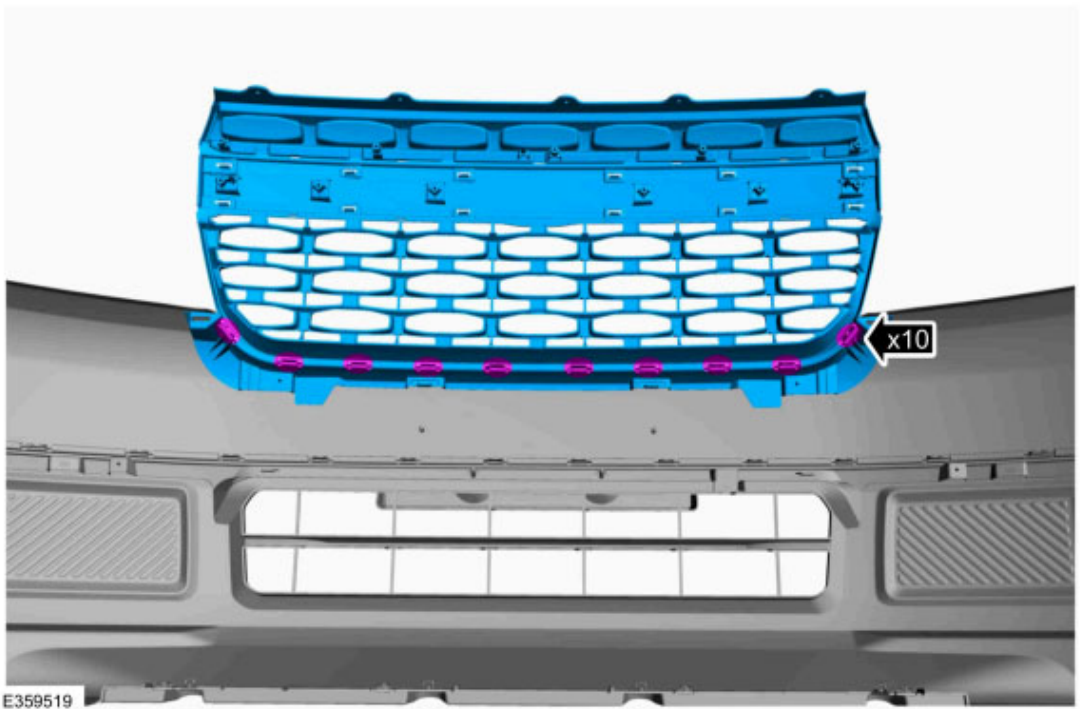
8. Remove the push nuts and the front bumper cover emblem.
 Use the General Equipment: Hot Air Gun



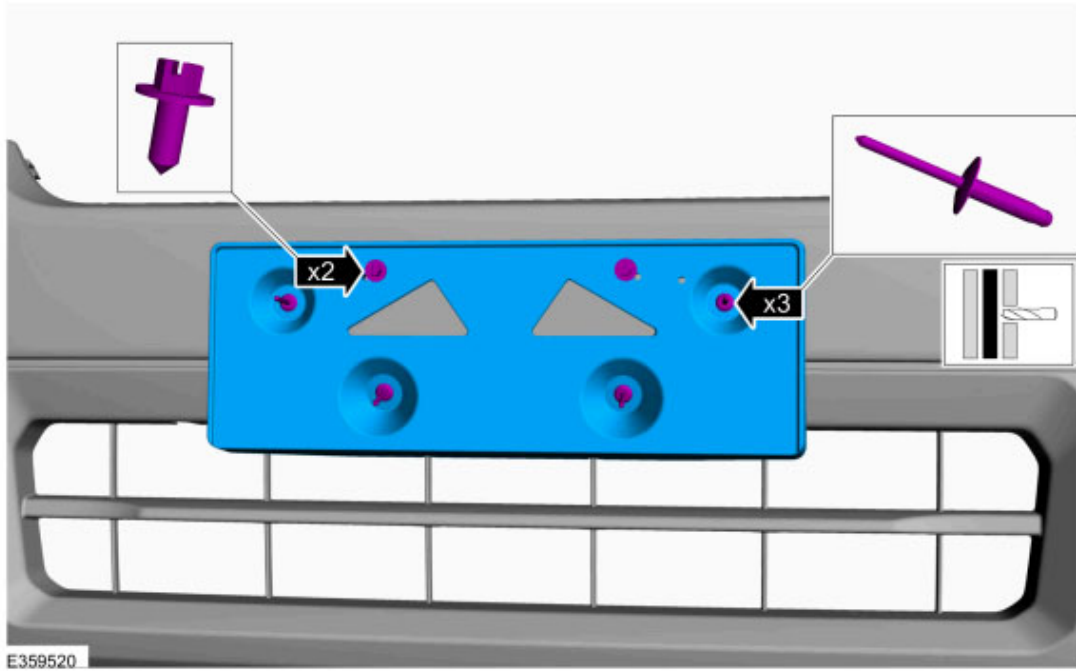
9. Remove the screws, release the tabs and remove the front bumper energy absorber.



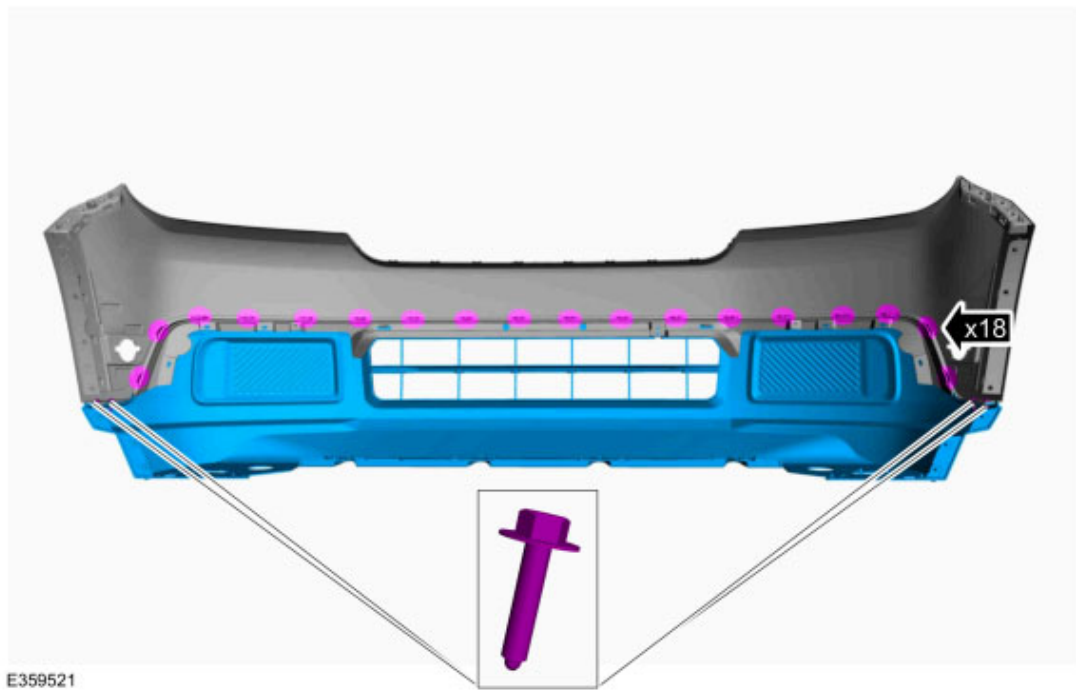
10. Release the tabs and remove the radiator grille.



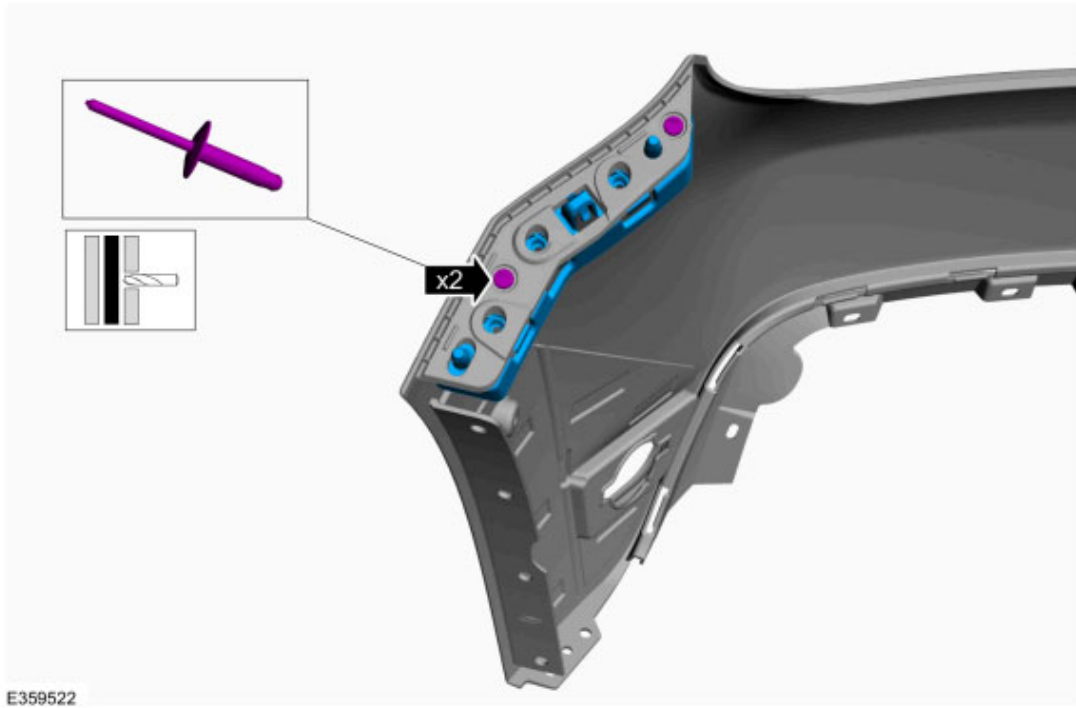
11. Remove the screws, drill the rivets and remove the license plate bracket.
Use the General Equipment: Electric Drill



12. Remove the screws, release the tabs and remove the front bumper cover lower valence.



13. On both sides.
 Drill the rivets and remove the front bumper cover to fender bracket.
 Use the General Equipment: Electric Drill



ASSEMBLY

1. To assemble, reverse the disassembly procedure.
-