

FRONT BUMPER COVER

501-19 Bumpers

Removal and Installation

2022 - 2024 Explorer, Police Interceptor

Procedure revision date: 06/24/2021

Front Bumper Cover

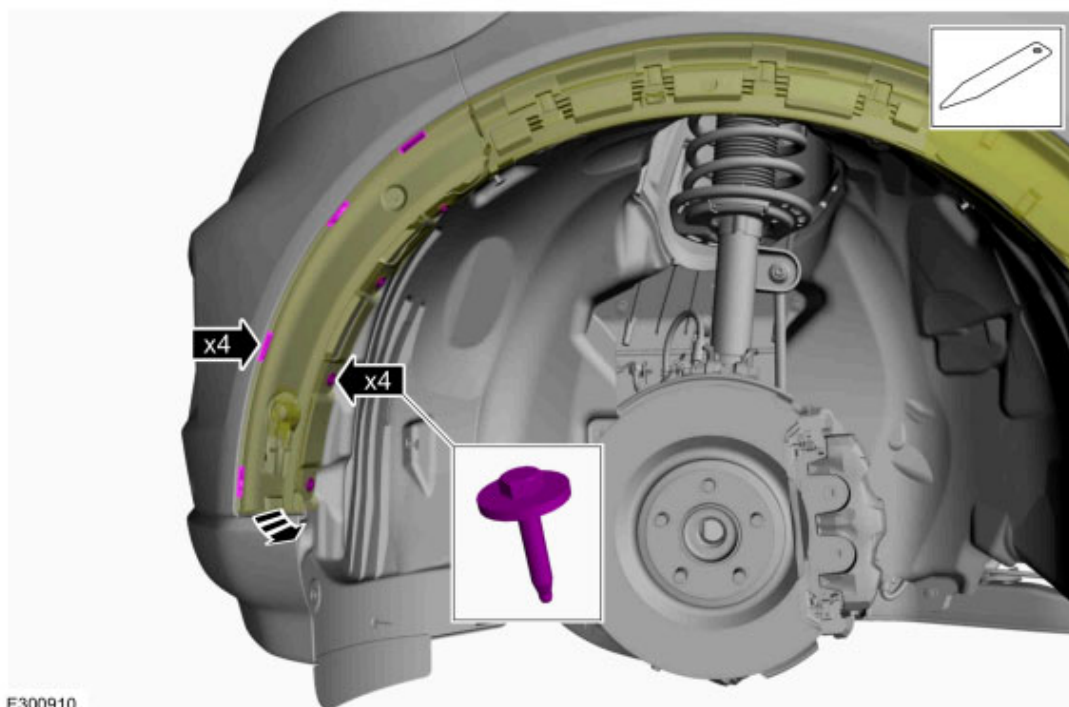
Special Tool(s) / General Equipment

Interior Trim Remover

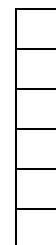
Removal

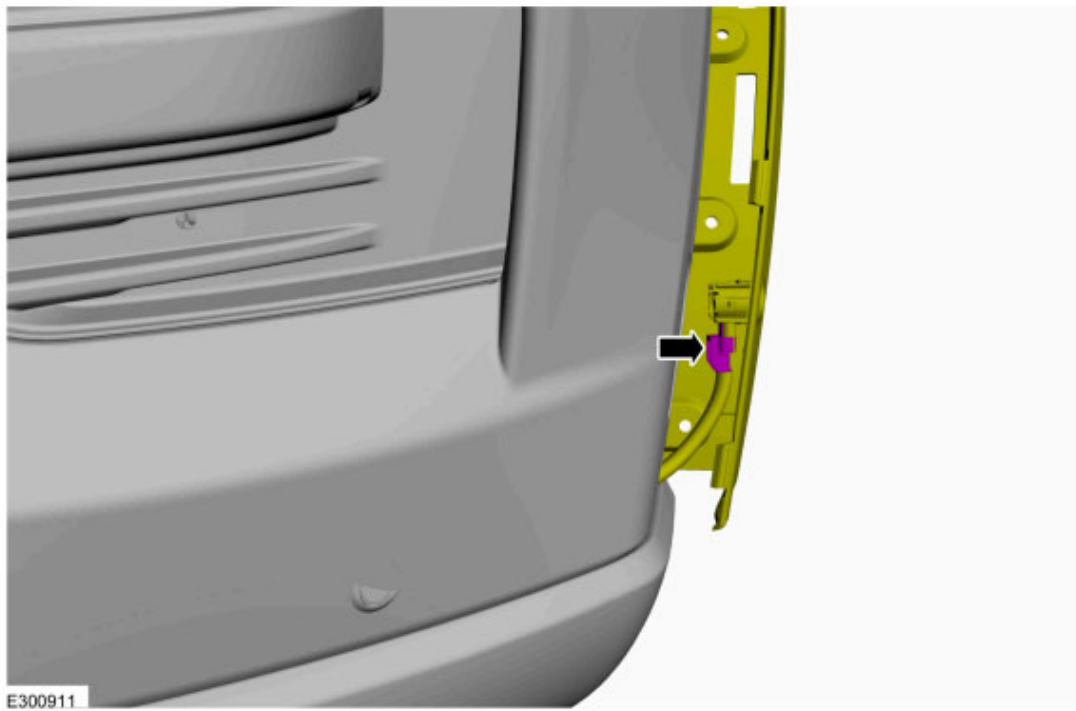
NOTE: Removal steps in this procedure may contain installation details.

1. Remove the front wheels and tires.
Refer to: Wheel and Tire (204-04A Wheels and Tires, Removal and Installation).
2. On both sides.
Remove the screws, release the clips and position front fender moulding aside.
Use the General Equipment: Interior Trim Remover
Torque: 22 lb.in (2.5 Nm)

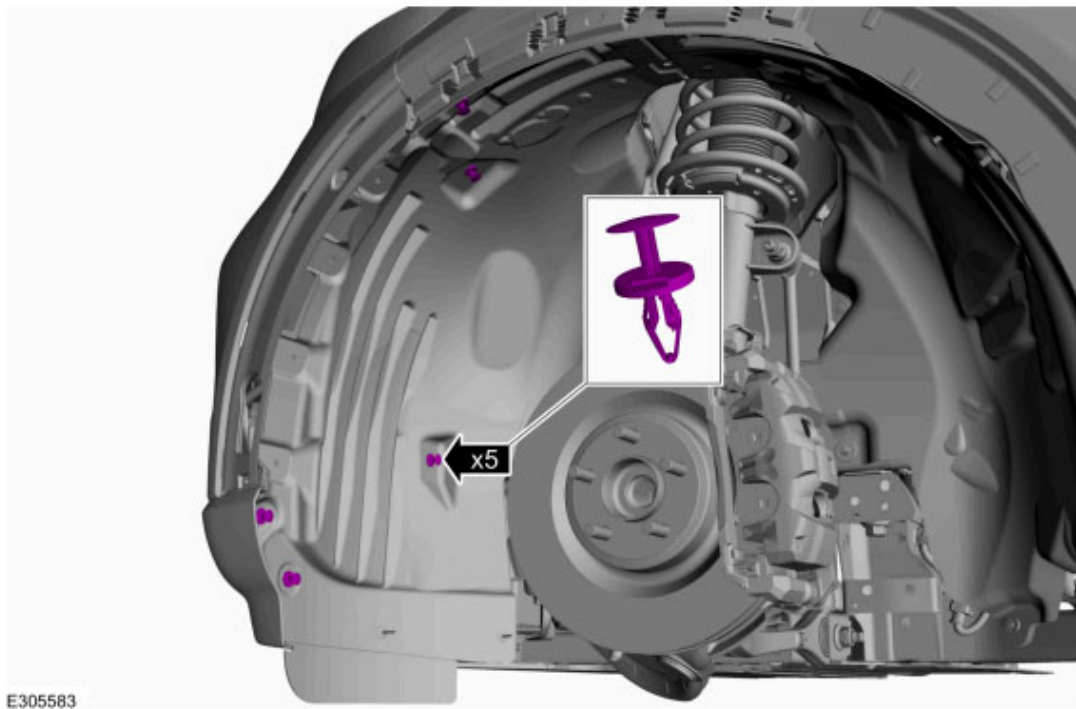


3. On both sides.
Disconnect the front active park assist sensor electrical connector.

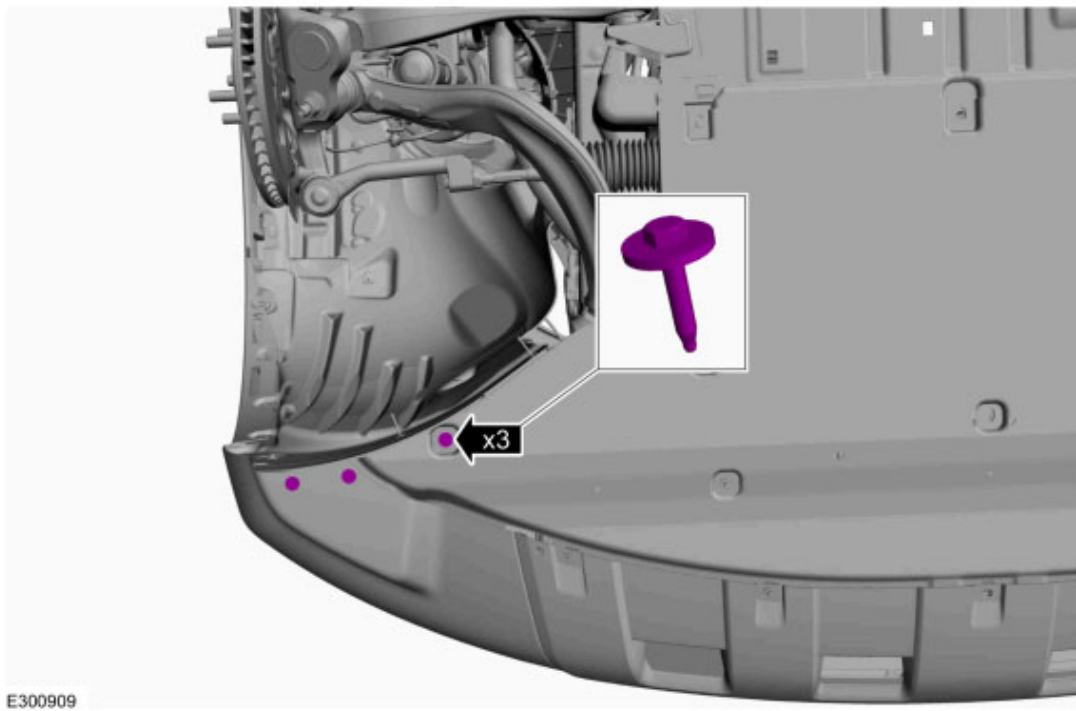




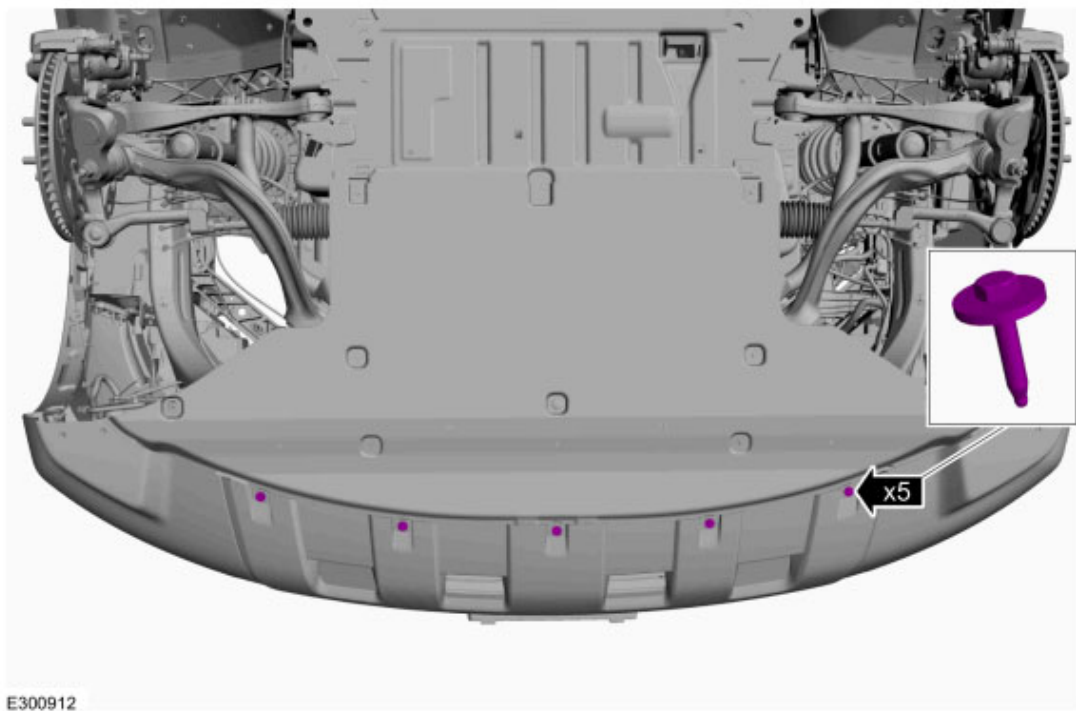
4. On both sides.
Remove the fender liner push pins.



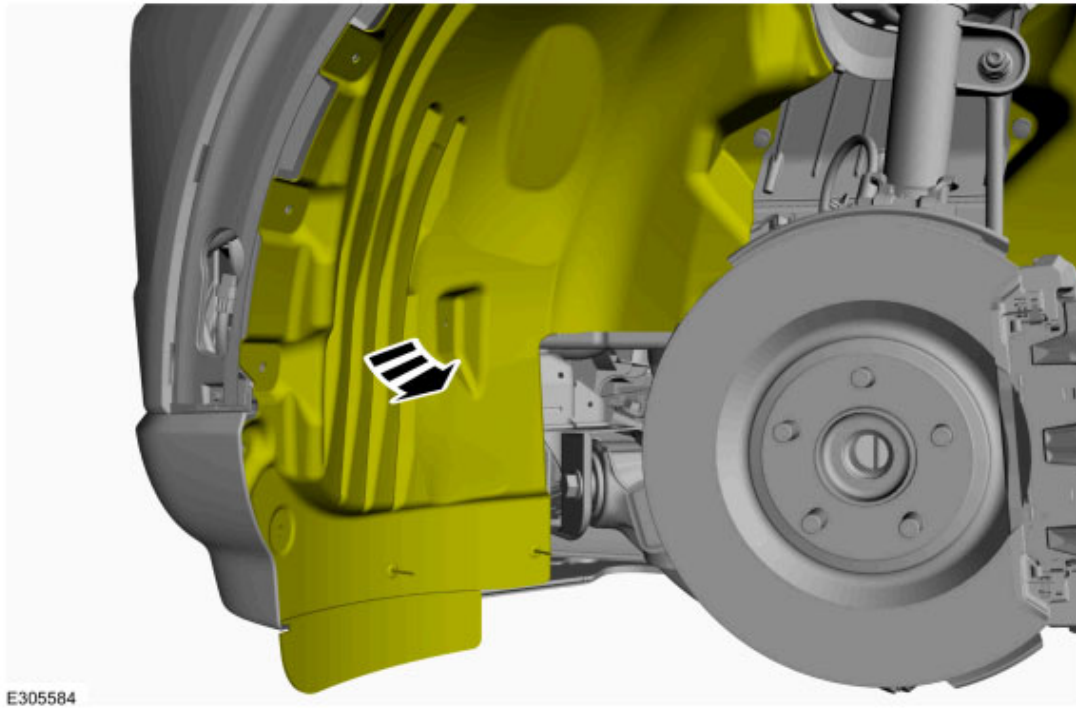
5. On both sides.
Remove the screws.
Torque: 22 lb.in (2.5 Nm)



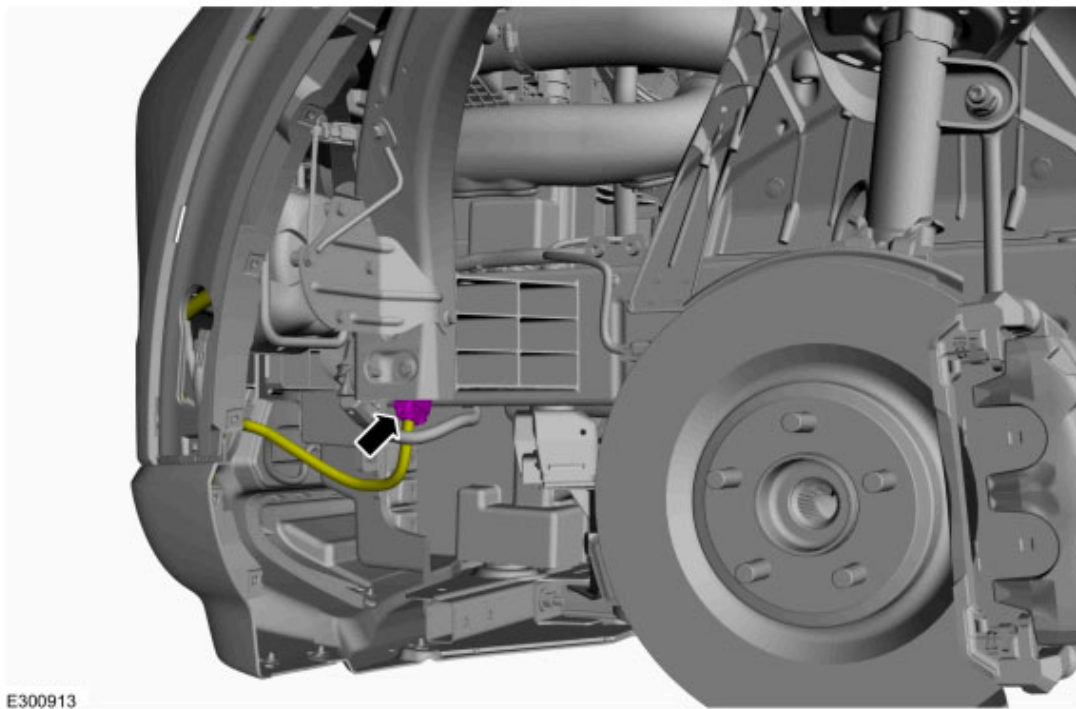
6. Remove the screws.
Torque: 22 lb.in (2.5 Nm)



7. On both sides.
 Position the front fender liner aside.

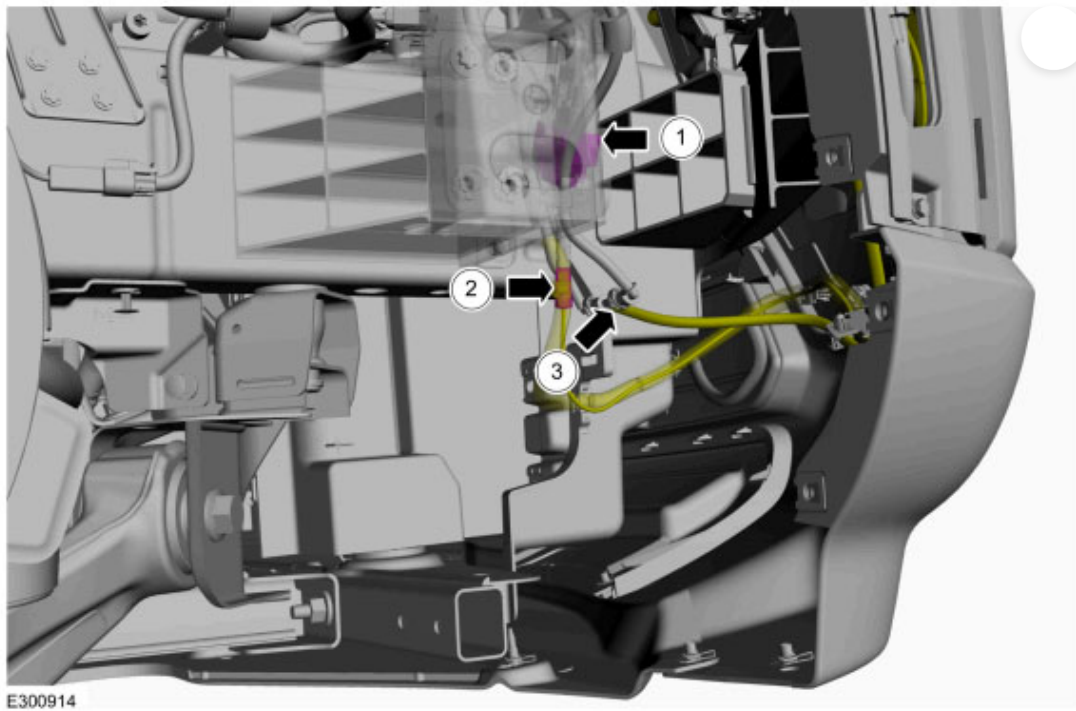


8. Disconnect the front bumper cover harness electrical connector.

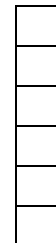
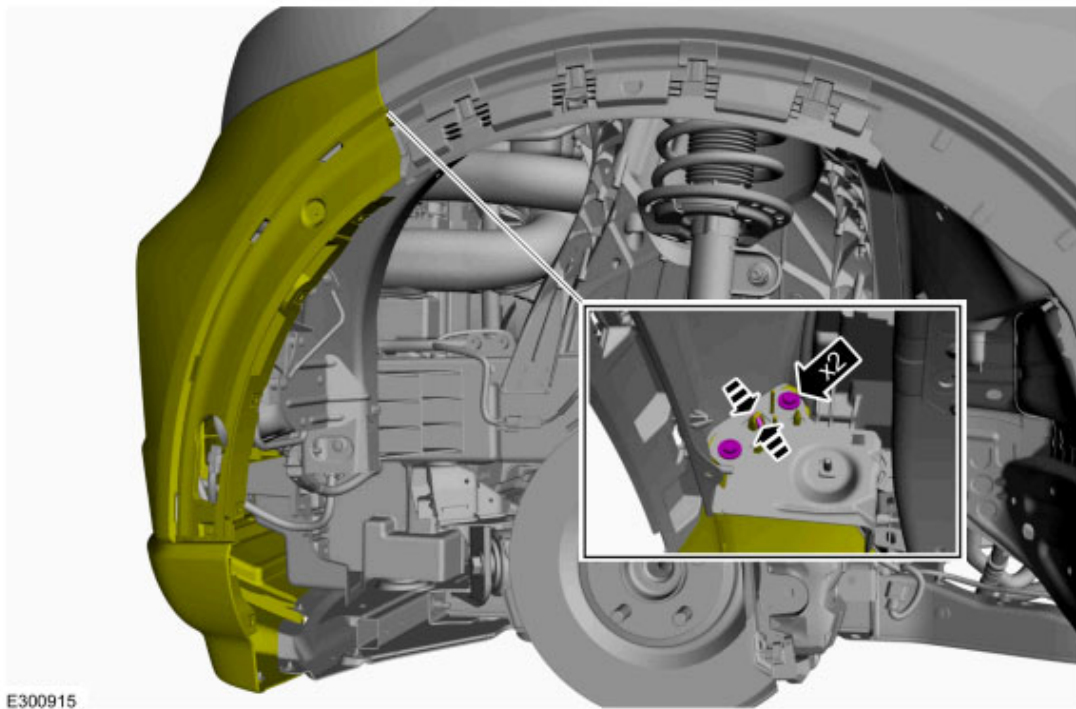


9.

1. Disconnect the front bumper cover harness electrical connector.
2. Disconnect the front camera harness electrical connector.
3. Disconnect the washer hose.



10. On both sides.
 Remove the front bumper cover to fender bolts and release the tab.
Torque: 35 lb.in (4 Nm)



11. **NOTE:** *This step requires the aid of another technician.*

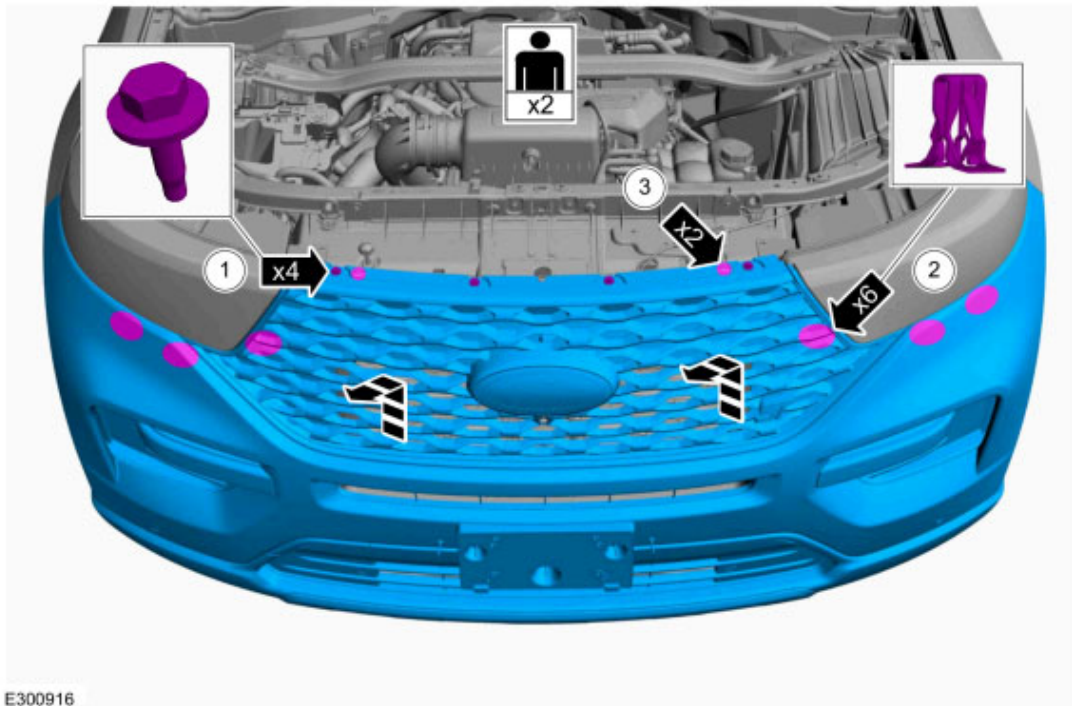
Remove the front bumper cover.

1. Remove the bolts.

Torque: 22 lb.in (2.5 Nm)

2. Release the clips.

3. Lift the front bumper cover up and off the alignment pins.



Installation

1. To install, reverse the removal procedure.

Vehicles With: 360 Degree Camera

2. Align the 360° cameras.

Refer to: 360 Degree View Camera Alignment (413-13B Parking Aid - Vehicles With: Parking Aid Camera, General Procedures).

Vehicles With: Active Park Assist/Front Parking Aid

3. If replacing the front bumper cover.

Check the alignment of the front parking aid and front active park assist sensors.

Refer to: Azimuth System Check (413-13A Parking Aid, General Procedures).

Refer to: Elevation System Check (413-13A Parking Aid, General Procedures).

Refer to: Azimuth System Check (413-13C Parking Aid - Vehicles With: Active Park Assist, General Procedures).

4. If any sensor fails the check, diagnose the sensor fault.

Refer to: Parking Aid (413-13A Parking Aid, Diagnosis and Testing).

Refer to: Parking Aid (413-13C Parking Aid - Vehicles With: Active Park Assist, Diagnosis and Testing).

