

RADIATOR GRILLE

501-08 Exterior Trim and Ornamentation
Removal and Installation

2022 - 2024 Expedition
Procedure revision date: 04/5/2023

Radiator Grille

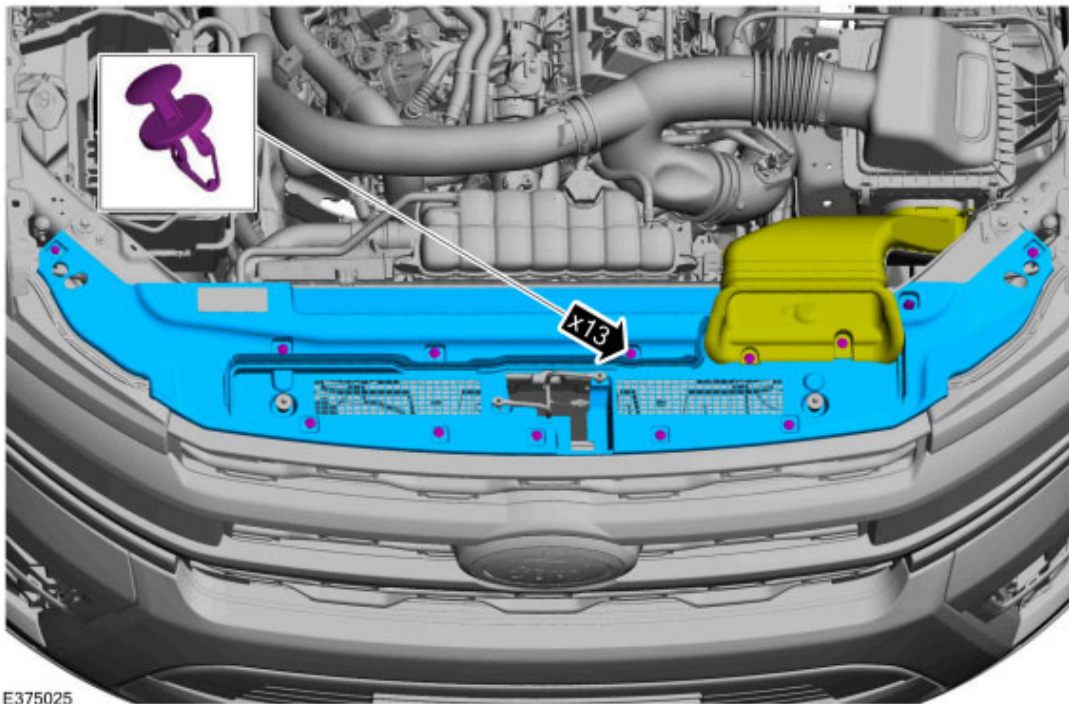
Special Tool(s) / General Equipment

Interior Trim Remover

Removal

NOTE: Removal steps in this procedure may contain installation details.

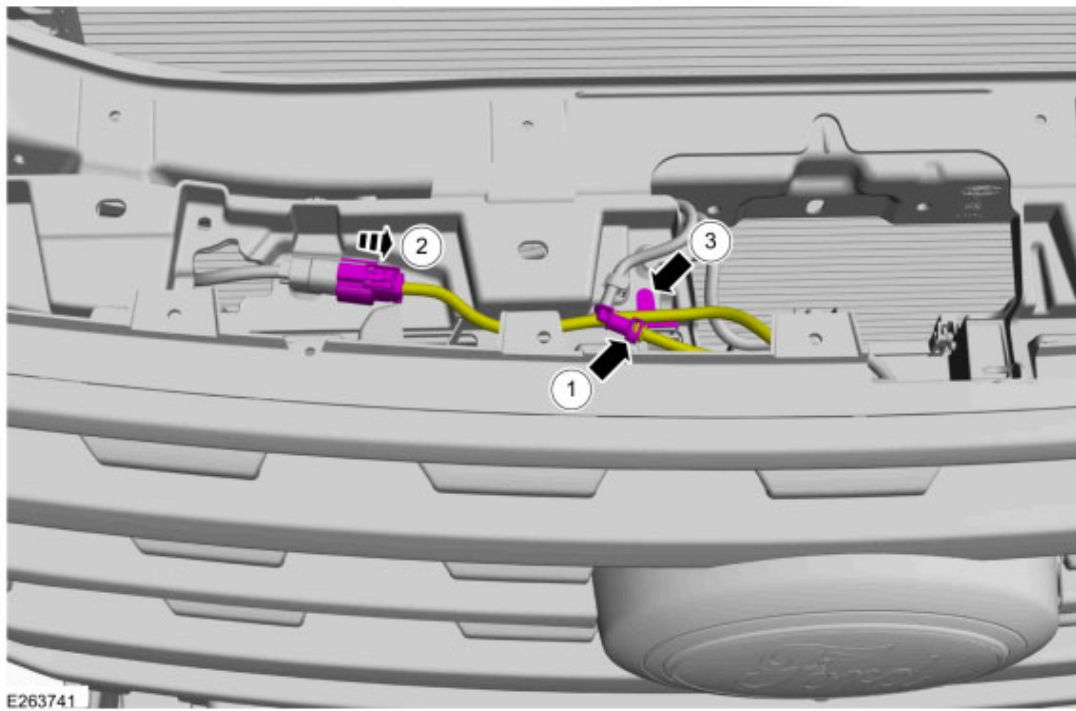
1. Remove the push pin retainers, position aside the air intake duct and remove the air deflector.



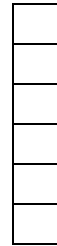
2. **NOTE:** If equipped.

Disconnect the electrical connector and the washer hose.

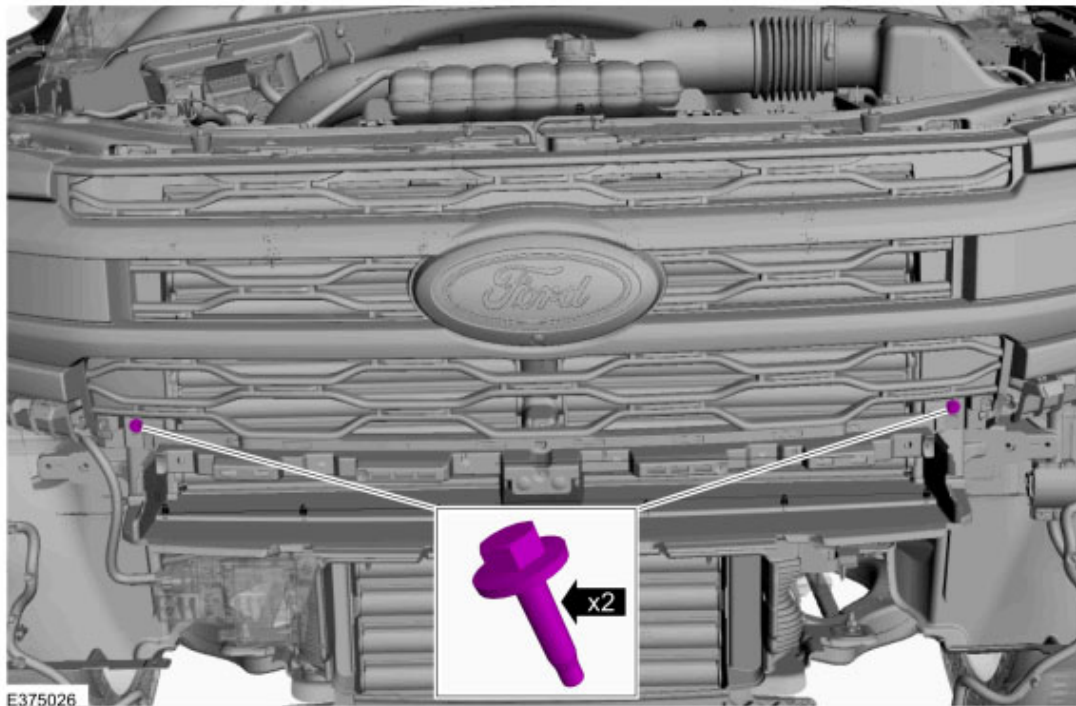
1. Disconnect the washer hose.
2. Disconnect the electrical connector.
3. Detach the wiring harness holding clip from the frame.



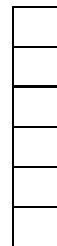
E263741



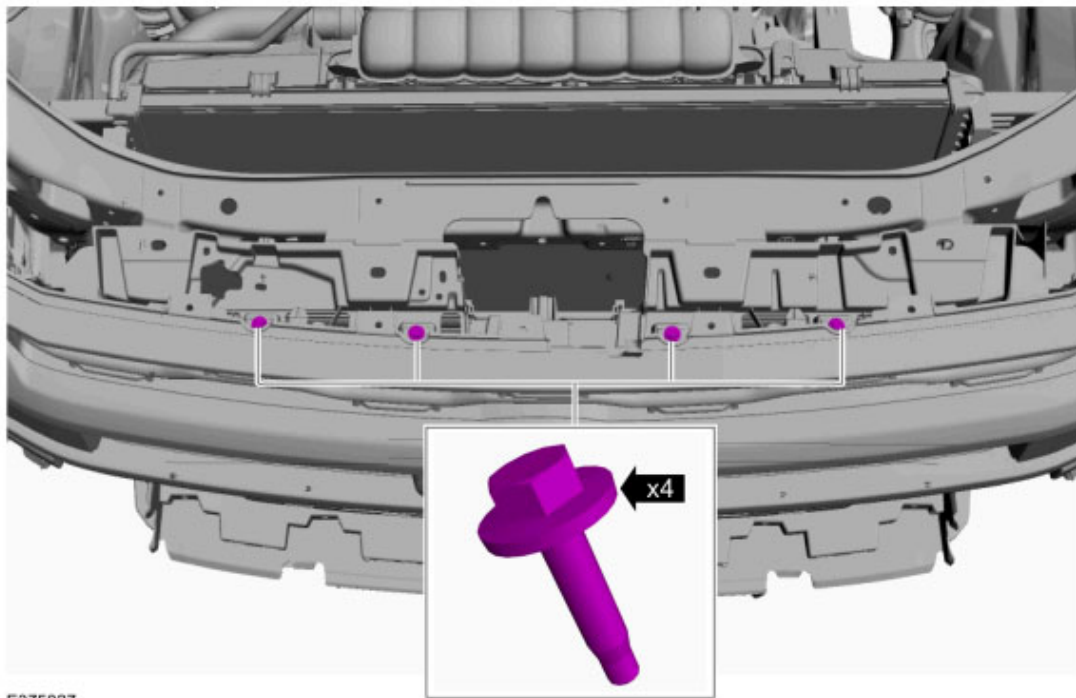
3. Remove the front bumper cover.
Refer to: Front Bumper Cover (501-19 Bumpers, Removal and Installation).
4. Remove the radiator grille mounting lower screws.
Torque: 28 lb.in (3.2 Nm)



E375026



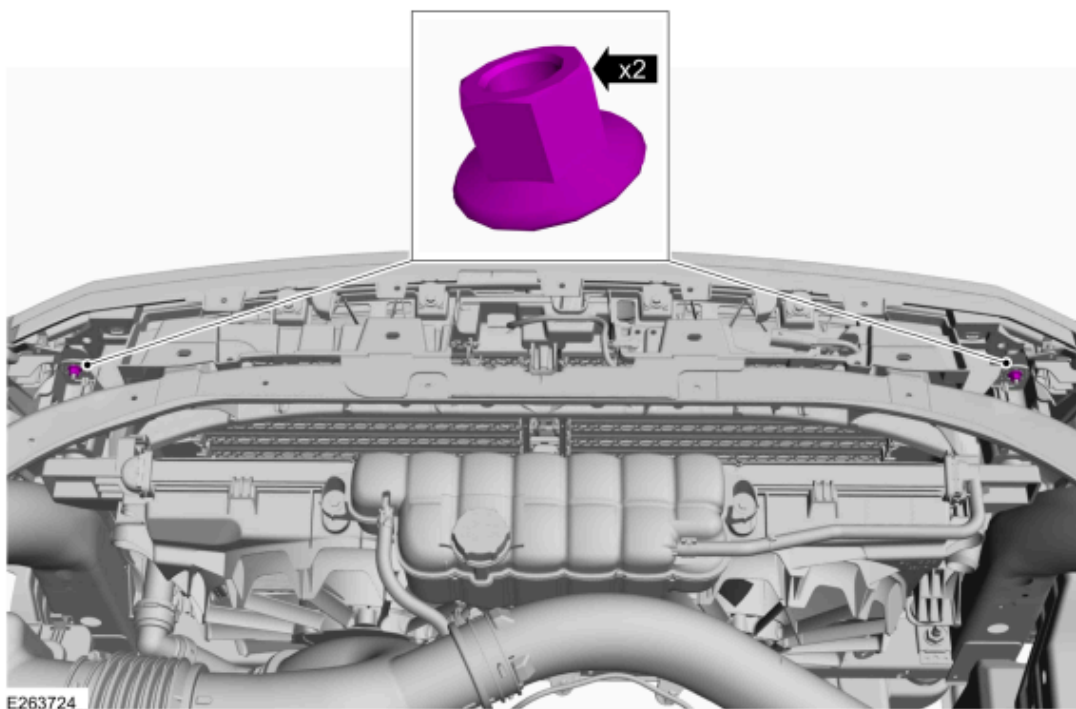
5. Remove the radiator grille mounting upper screws.
Torque: 28 lb.in (3.2 Nm)



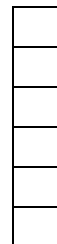
E375027



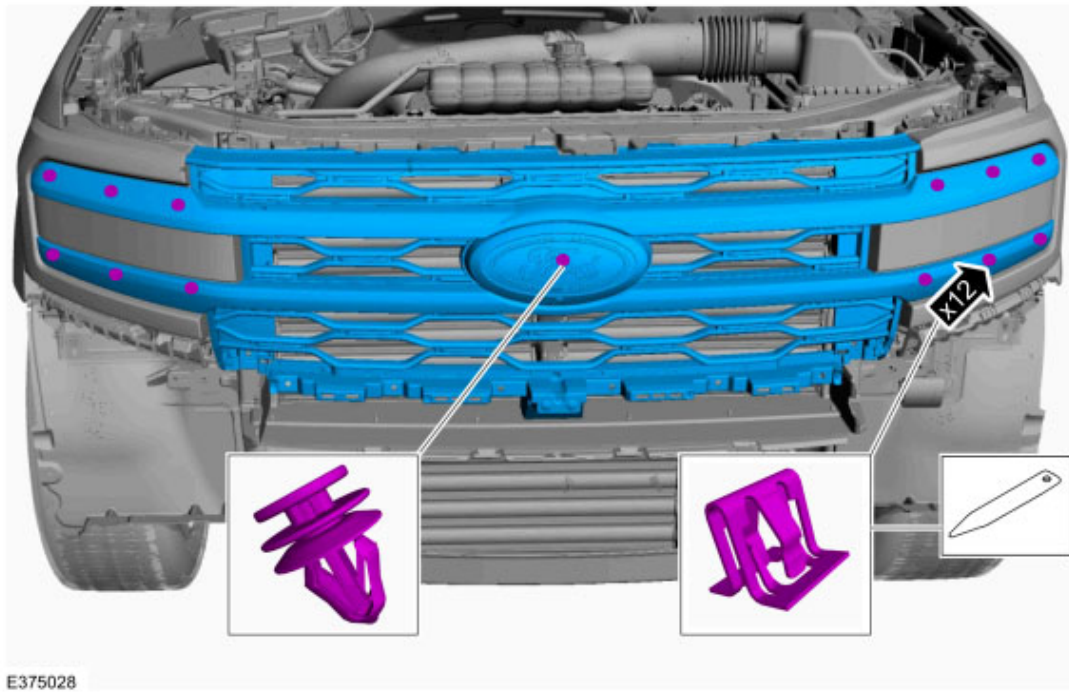
6. Remove the radiator grille mounting nuts.
Torque: 53 lb.in (6 Nm)



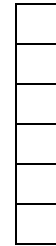
E263724



7. Release the clips and remove the radiator grille.
Use the General Equipment: Interior Trim Remover



E375028



Installation

1. To install, reverse the removal procedure.
 2. Align the 360 cameras.
Refer to: 360 Degree View Camera Alignment (413-13B Parking Aid - Vehicles With: Parking Aid Camera, General Procedures).
-