

## FRONT BUMPER COVER

501-19 Bumpers

Removal and Installation

2022 - 2024 Expedition

Procedure revision date: 01/21/2022

# Front Bumper Cover

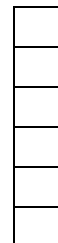
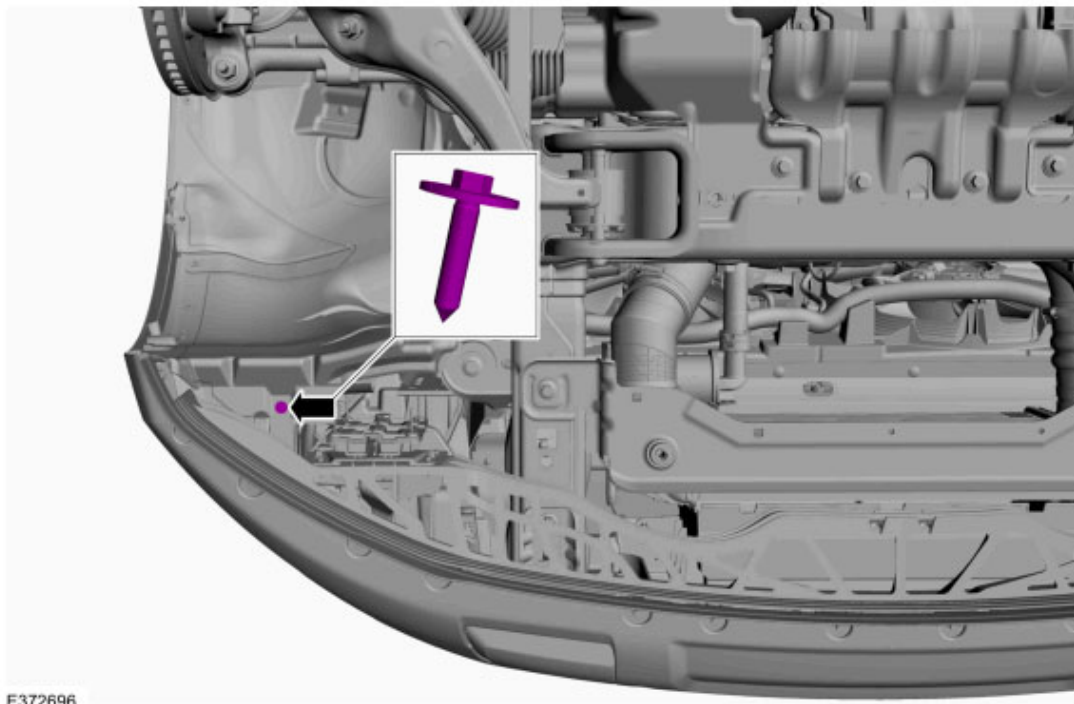
### Special Tool(s) / General Equipment

Interior Trim Remover

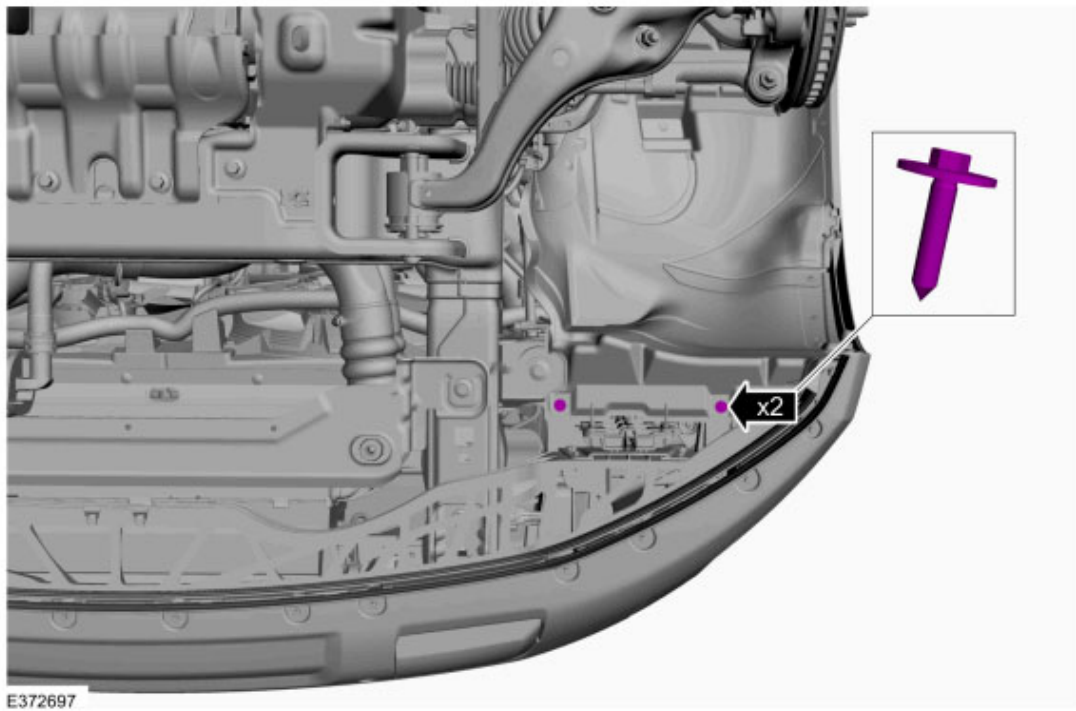
### Removal

**NOTE:** Removal steps in this procedure may contain installation details.

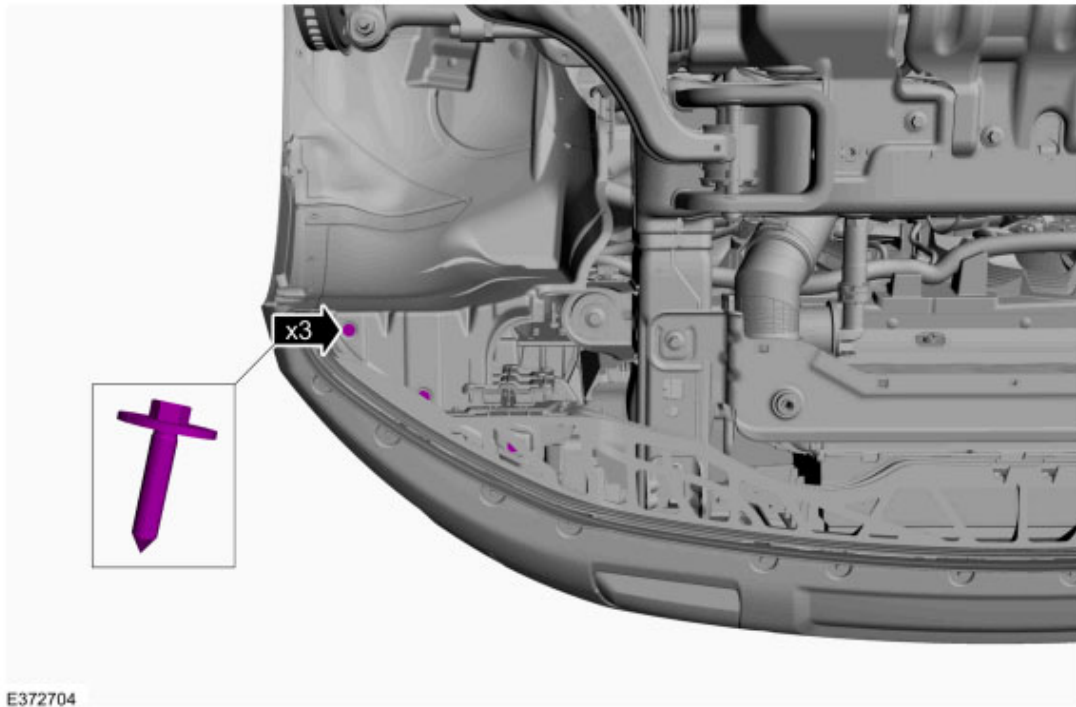
1. Remove the front wheels and tires.  
Refer to: Wheel and Tire (204-04A Wheels and Tires, Removal and Installation).
2. On LH side.  
Remove the fender liner screw.  
*Torque:* 15 lb.in (1.7 Nm)



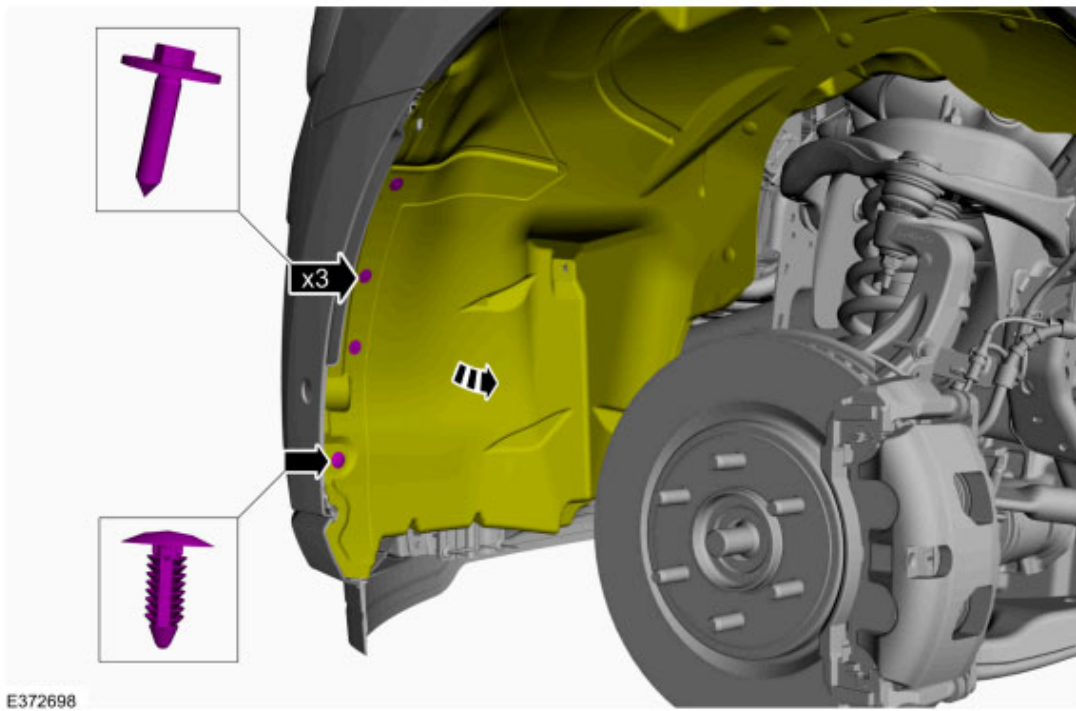
3. On RH side.  
Remove the fender liner screws.  
*Torque:* 15 lb.in (1.7 Nm)



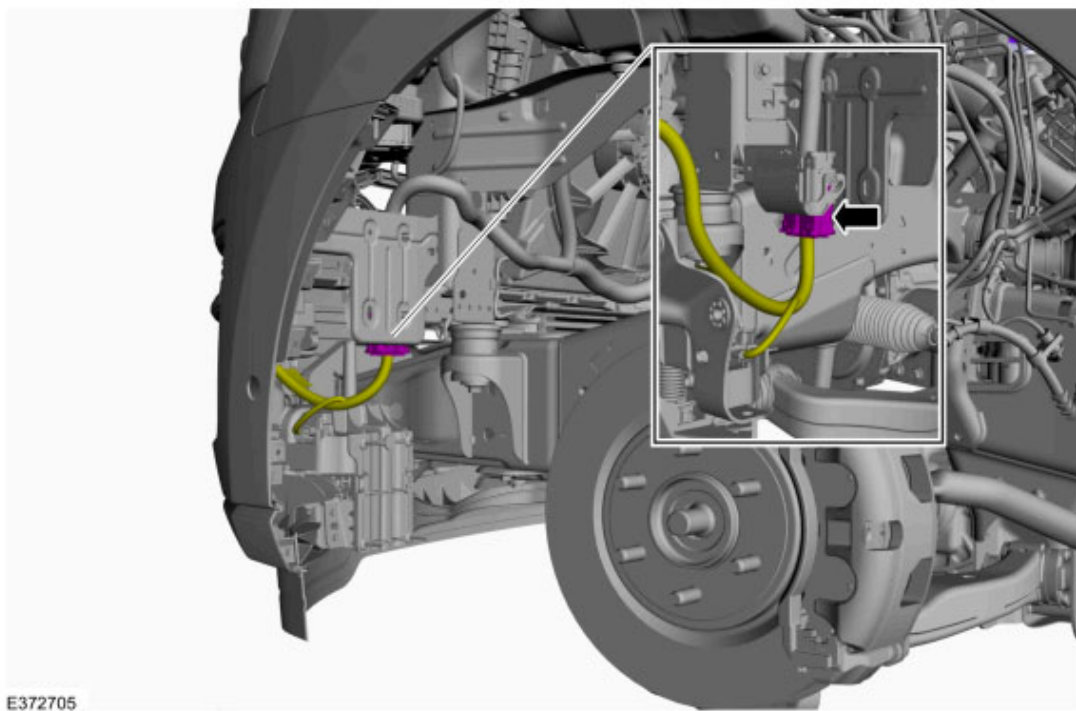

4. If equipped, on both sides.  
 Remove the fender liner screws.  
*Torque: 15 lb.in (1.7 Nm)*



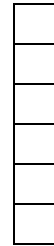
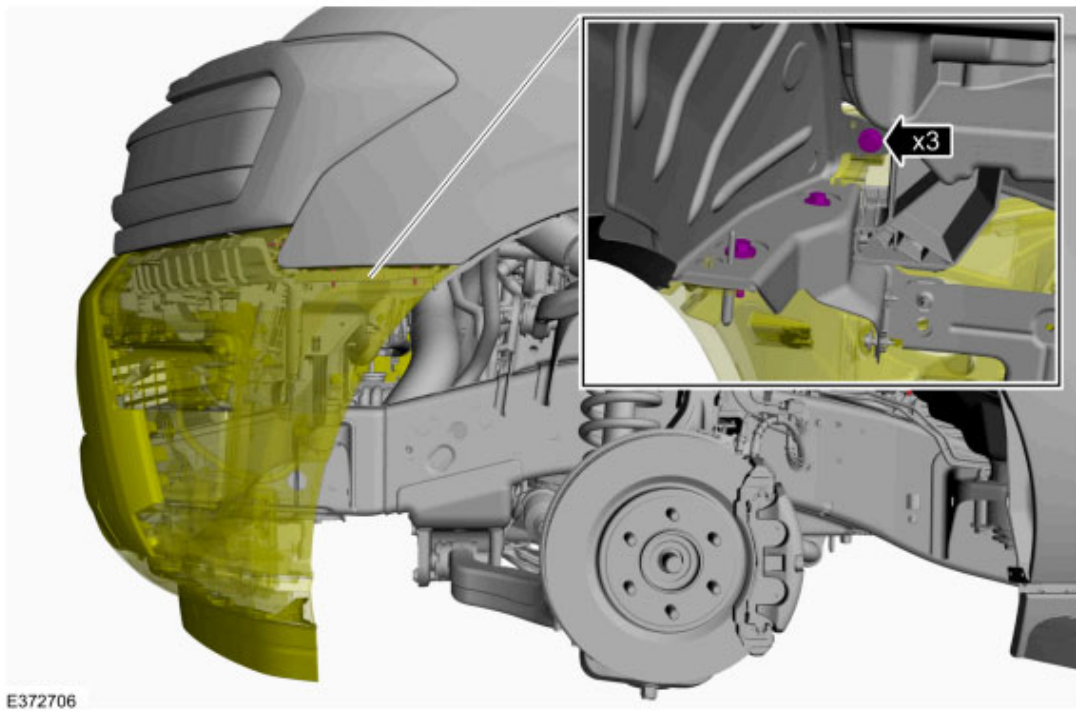

5. On both sides.  
 Remove the screws, the trim pin and position the fender liner aside.  
*Torque: 15 lb.in (1.7 Nm)*



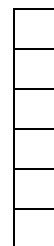
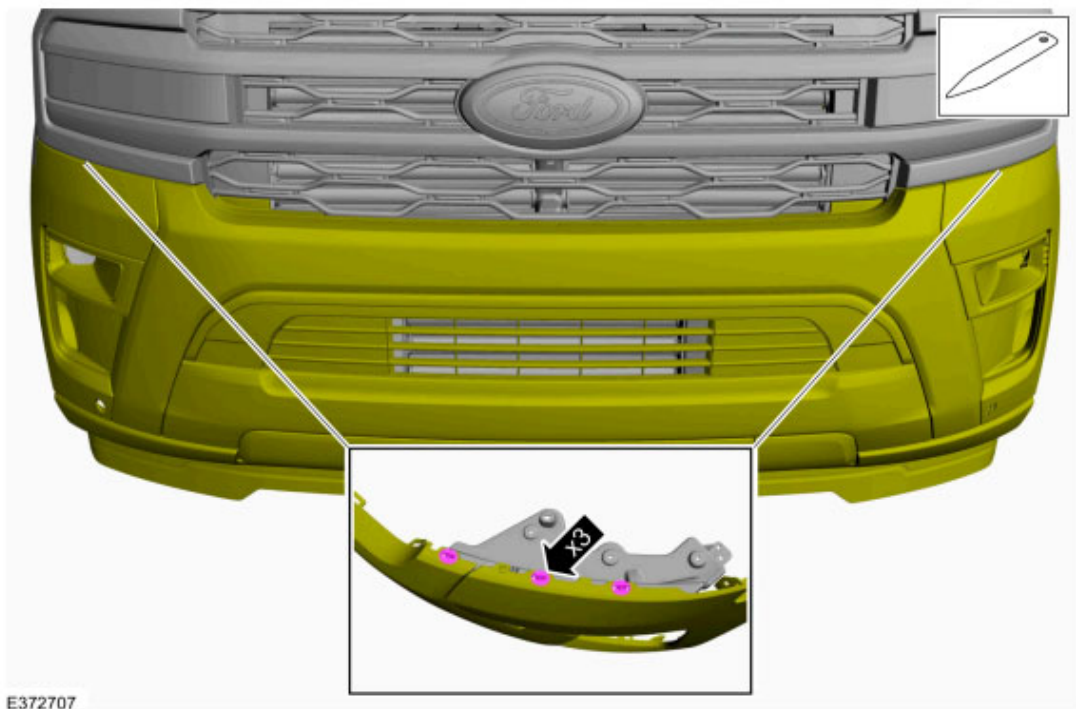

6. Disconnect the front bumper cover harness electrical connector.



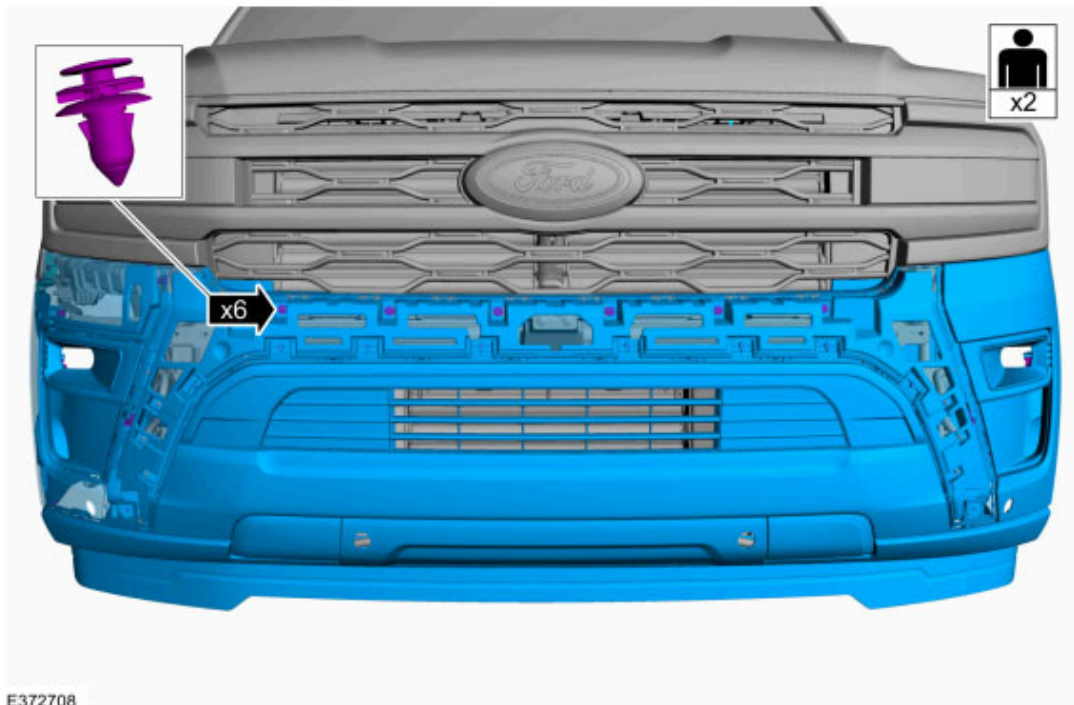

7. On both sides.  
 Remove the bolts and separate the front bumper cover from the fender bracket.  
*Torque: 35 lb.in (4 Nm)*



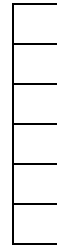
8. Release the tabs.  
Use the General Equipment: Interior Trim Remover



9. With the help of an assistant.  
Release the trim pins and remove the front bumper cover.

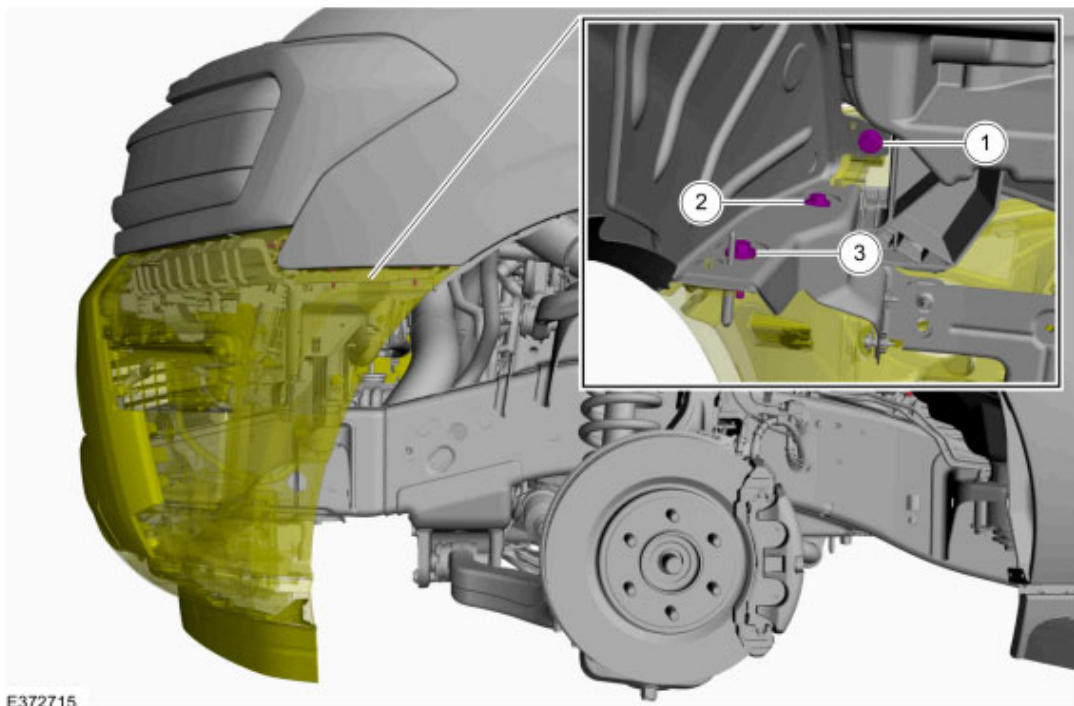


E372708

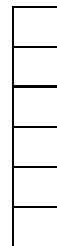


### Installation

1. On both sides.  
Tighten the bolts in the sequence shown.  
*Torque: 35 lb.in (4 Nm)*



E372715



2. To install, reverse the removal procedure.

### Vehicles With: Front Parking Aid

3. If replacing the front bumper cover.  
Check the alignment of the front parking aid sensors.

Refer to: Azimuth System Check (413-13A Parking Aid - Vehicles With: Rear Parking Aid, General Procedures).  
Refer to: Elevation System Check (413-13A Parking Aid - Vehicles With: Rear Parking Aid, General Procedures).

4. If any sensor fails the check, diagnose the sensor fault.

Refer to: Parking Aid (413-13A Parking Aid - Vehicles With: Rear Parking Aid, Diagnosis and Testing).

### **Vehicles With: Active Park Assist**

5. If replacing the front bumper cover.

Check the alignment of the front active park assist sensors.

Refer to: Azimuth System Check (413-13C Parking Aid - Vehicles With: Active Park Assist, General Procedures).

6. If any sensor fails the check, diagnose the sensor fault.

Refer to: Parking Aid (413-13C Parking Aid - Vehicles With: Active Park Assist, Diagnosis and Testing).

---