

## FRONT BUMPER COVER

501-19 Bumpers

Removal and Installation

2023 Escape

Procedure revision date: 01/5/2023

# Front Bumper Cover

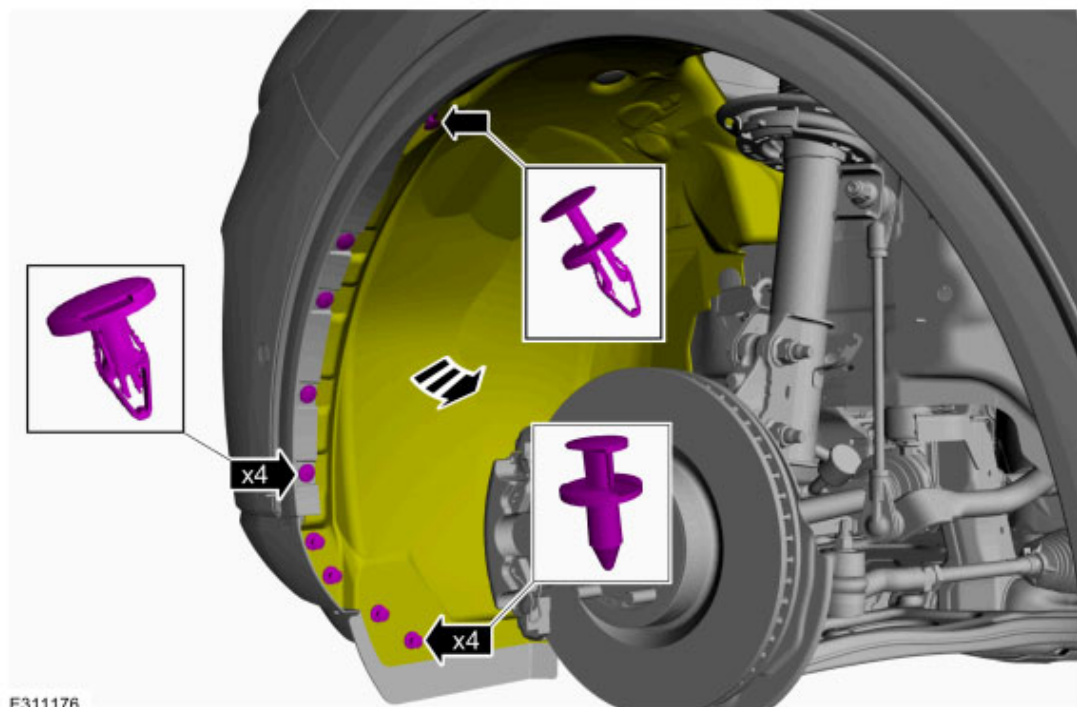
### Special Tool(s) / General Equipment

Interior Trim Remover

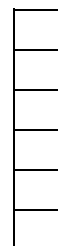
### Removal

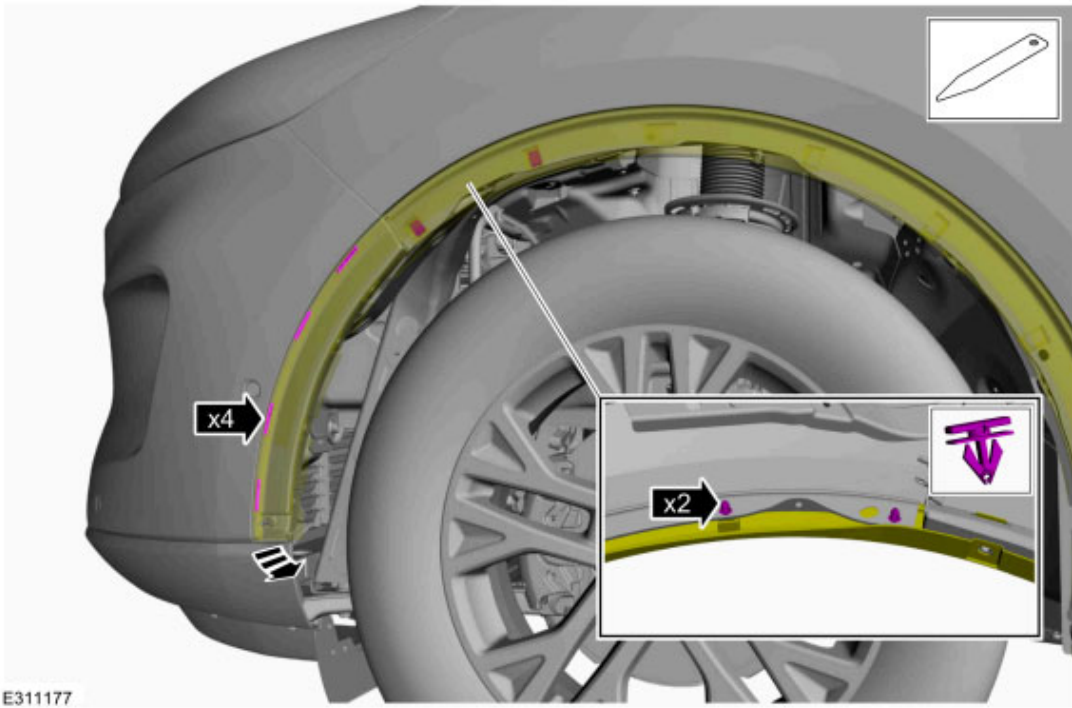
**NOTE:** Removal steps in this procedure may contain installation details.

1. With the vehicle in NEUTRAL, position it on a hoist.  
Refer to: Jacking and Lifting - Overview (100-02 Jacking and Lifting, Description and Operation).
2. On both sides.  
Remove the push pins and position the fender liner aside.

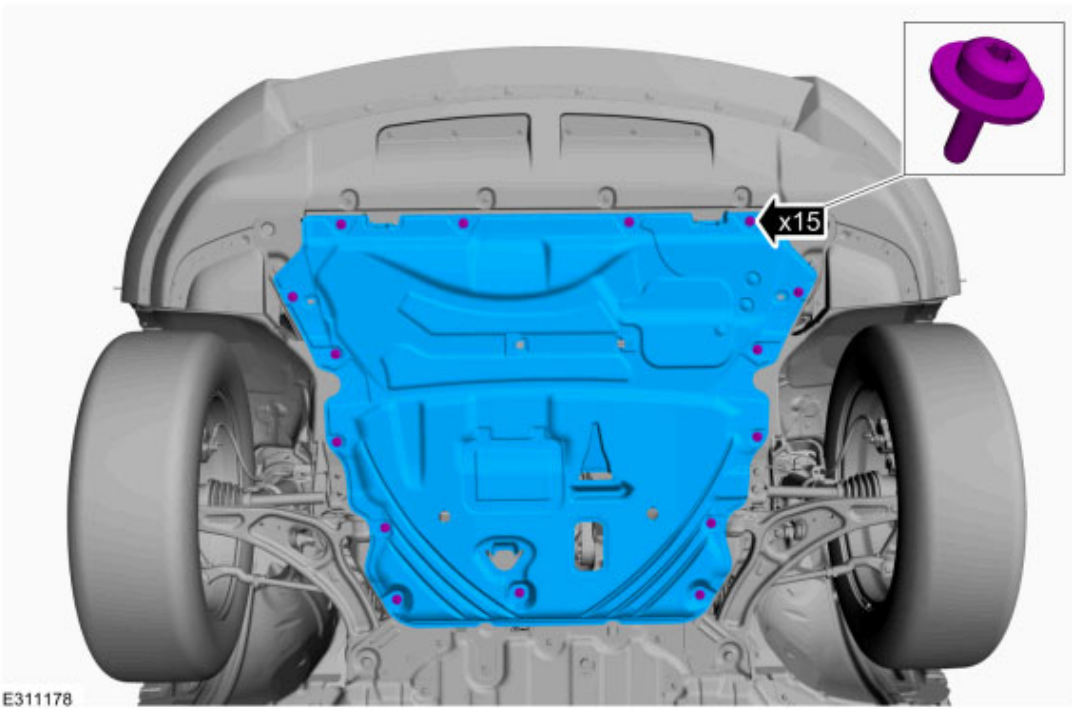


3. On both sides.  
Release the retainers, release the clips and position front fender moulding aside.  
Use the General Equipment: Interior Trim Remover

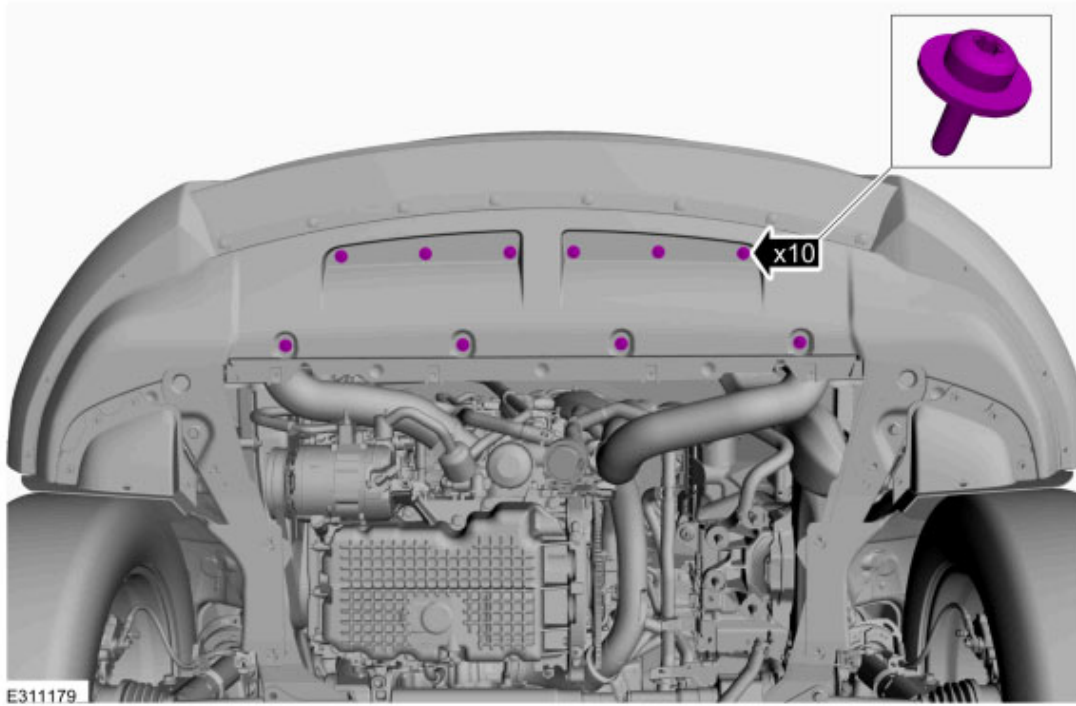




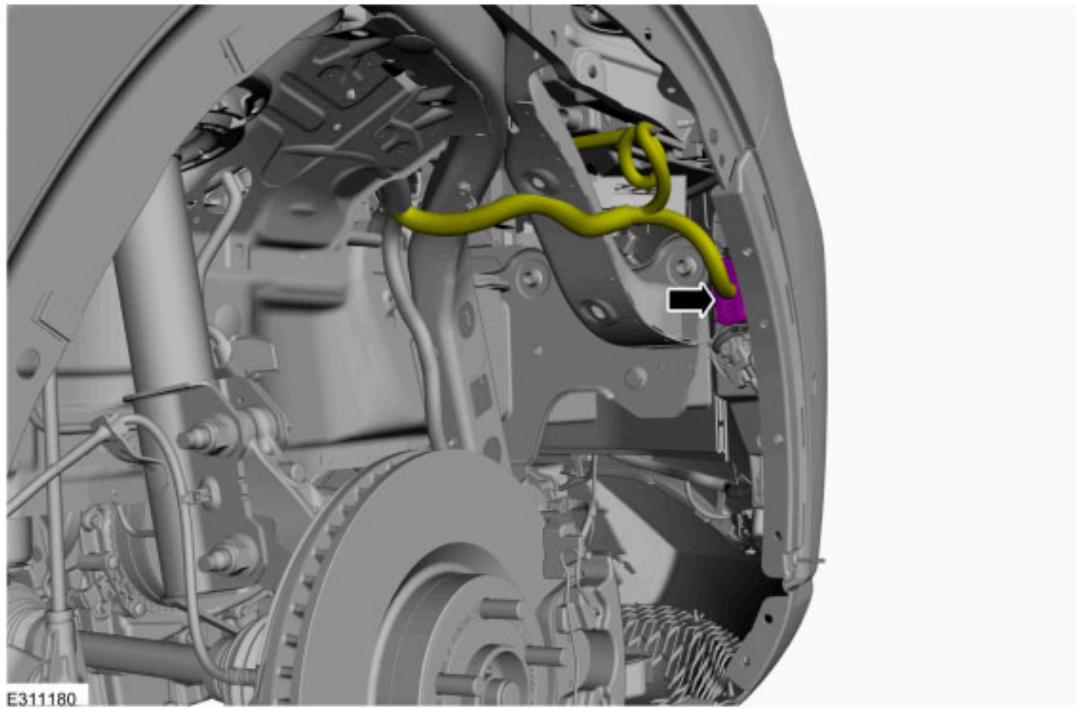
4. Remove the screws and the engine undershield.  
*Torque: 18 lb.in (2 Nm)*



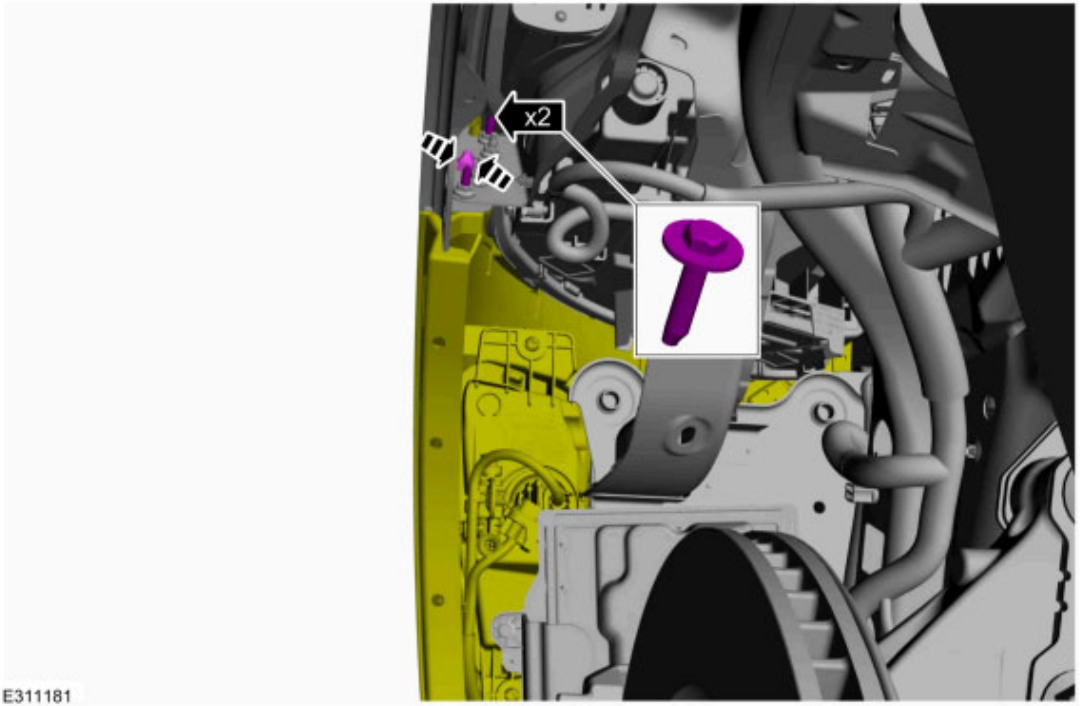
5. Remove the screws.  
*Torque: 18 lb.in (2 Nm)*




6. Disconnect the front bumper cover harness electrical connector.




7. On both sides.  
 Remove the front bumper cover to fender bracket bolts and release the tab.  
*Torque: 71 lb.in (8 Nm)*



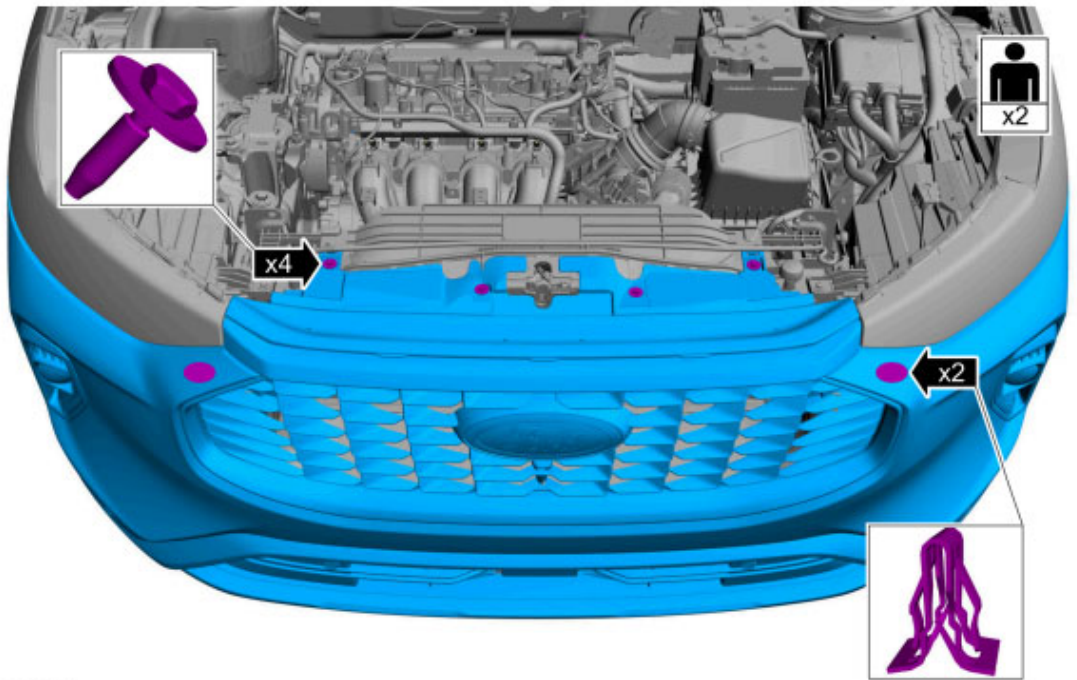
E311181


8. **NOTE:** *This step requires the aid of another technician.*

**NOTE:** *High series shown, all other similar.*

Remove the screws, release the clips and remove the front bumper cover.

*Torque: 35 lb.in (4 Nm)*



E396818


### Installation

1. To install, reverse the removal procedure.

**Vehicles With: Front Fog Lamps**

2. Adjust the fog lamp.

Refer to: Front Fog Lamp Adjustment (417-01 Exterior Lighting, General Procedures).

### **Vehicles With: 360 Degree Camera**

3. **NOTE:** *Carry out the following step if installing a new front camera.*

Initialize the camera.

Refer to: Parking Aid Camera Initialization (413-13B Parking Aid - Vehicles With: 180 Degree Camera/360 Degree Camera/Parking Aid Camera, General Procedures).

4. Carry out the 360° camera alignment.

Refer to: 360 Degree View Camera Alignment (413-13B Parking Aid - Vehicles With: 180 Degree Camera/360 Degree Camera/Parking Aid Camera, General Procedures).

### **Vehicles With: Front Parking Aid**

5. If replacing the front bumper cover.

Check the alignment of the front parking aid sensors.

Refer to: Azimuth System Check (413-13A Parking Aid - Vehicles With: Rear Parking Aid, General Procedures).

Refer to: Elevation System Check (413-13A Parking Aid - Vehicles With: Rear Parking Aid, General Procedures).

6. If any sensor fails the check, diagnose the sensor fault.

Refer to: Parking Aid (413-13A Parking Aid - Vehicles With: Rear Parking Aid, Diagnosis and Testing).

### **Vehicles With: Active Park Assist**

7. If replacing the front bumper cover.

Check the alignment of the front active park assist sensors.

Refer to: Azimuth System Check (413-13C Parking Aid - Vehicles With: Active Park Assist, General Procedures).

8. If any sensor fails the check, diagnose the sensor fault.

Refer to: Parking Aid (413-13C Parking Aid - Vehicles With: Active Park Assist, Diagnosis and Testing).

---

