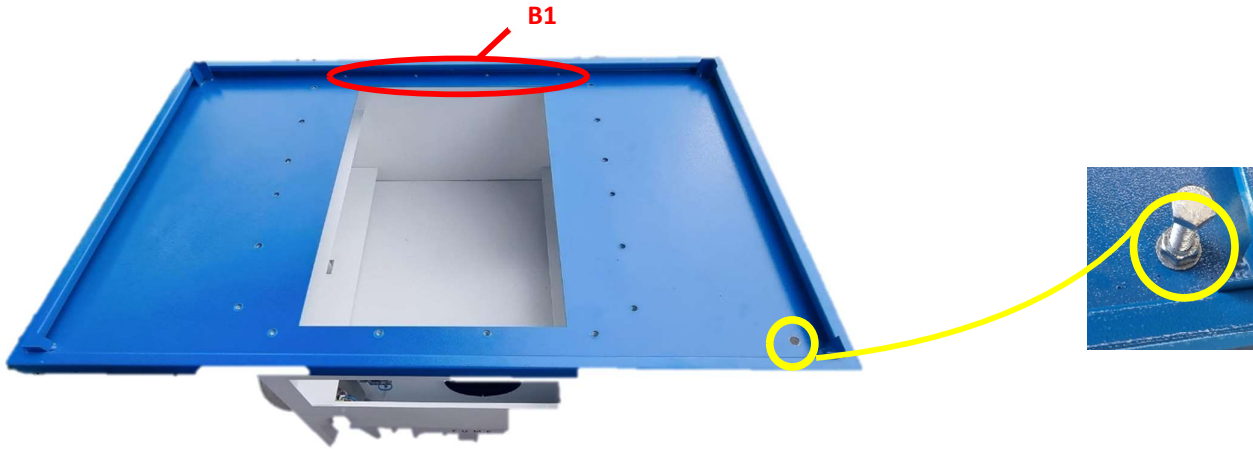
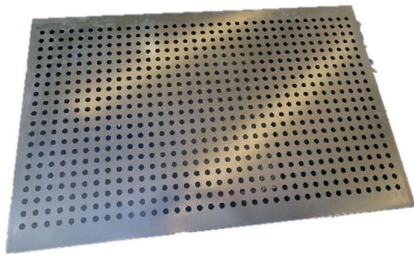


HOW TO ASSEMBLE THE TA100

1. Assemble the table (A1) to the machine. Make sure the large hole (circled yellow) is at the front right.
2. Use B1 bolts for the 4 holes at the back and B2 bolts for all other holes

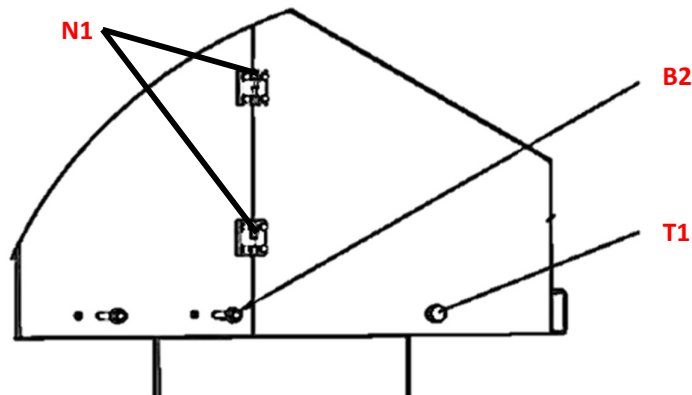


1. Install earth lug by attaching the large bolt (B3) to the table.
2. Insert welding table



Part No.	Qty	Image
B1	4	
B2	25	
B3	1	
N1	8	
T1	2	

3. Attach the back guard using B2 bolts



4. Attach the movable side guards (N1)
5. Attach thumbscrew (T1) to secure the guards



Your TA100 is ready to go!

