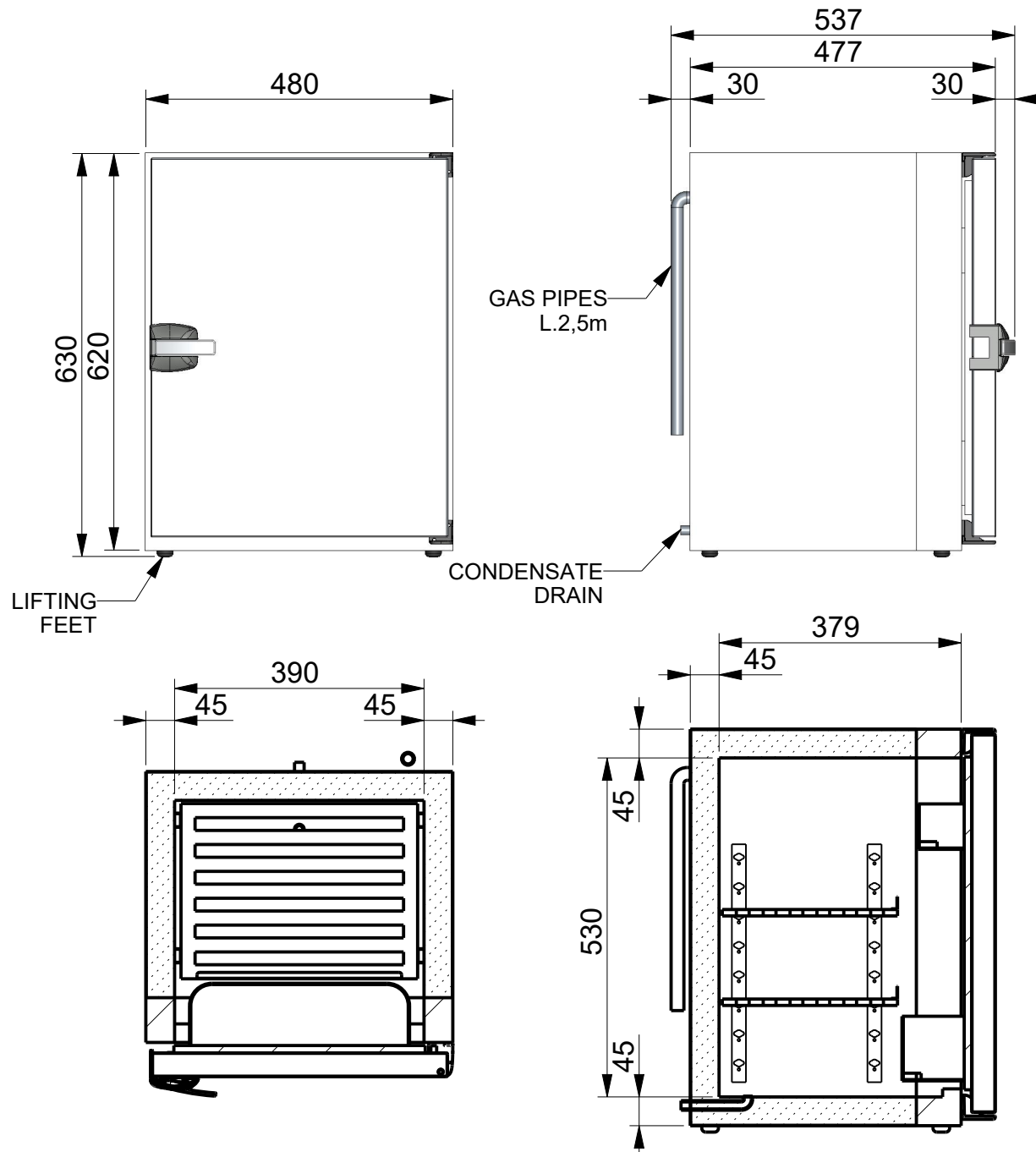




MODEL FR80RC - Fridge capacity 80Lt
 Fridge (0° C +15° C) with remote compressor.
 The internal walls are in 304BA (polished) stainless steel, while the external front and door are in 316SB (brushed) stainless steel.
 The refrigeration unit is available at 12 / 24Vdc, 110Vac 60Hz or at 220Vac 50Hz with forced air or water cooling.
 Our refrigerators are made of high quality stainless steel and are also suitable for outdoor use, provided they are protected from the elements with appropriate covers.
 Various options are also available.

| | |
|--|-----------------------|
| CODICE PRODOTTO / PRODUCT CODE | REVISIONE / REVISION: |
| <h1>mod. FR80RC</h1> | R03 |
| | DATA / DATE: |
| | 01/01/2022 |
|  Frigonautica <i>Il freddo a misura di mare</i> | |
| <p>Via Confin 64, 30020 Torre di Mosto (Venezia) Italia Tel: +39 0421.325214 - Fax: +39 0421.325343 E-Mail: info@frigonautica.it - P.IVA: 03687150270 www.frigonautica.it</p> <p><small>PROPRIETA' DI FRIGONAUTICA srl Senza autorizzazione scritta della stessa il presente disegno non potrà essere utilizzato per la costruzione dell'oggetto rappresentato, nè venire comunicato a terzi o riprodotto anche parzialmente. La società proprietaria tutela i propri diritti a rigor di legge. ALL PROPRIETARY RIGHT RESERVED BY FRIGONAUTICA srl This drawing shall not be reproduced also partially or in any way utilized for the manufacture of the component or unit herein illustrated and must not be released to other parties without written consent. Any infringement will be legally pursued.</small></p> | |

SPECIFICATIONS

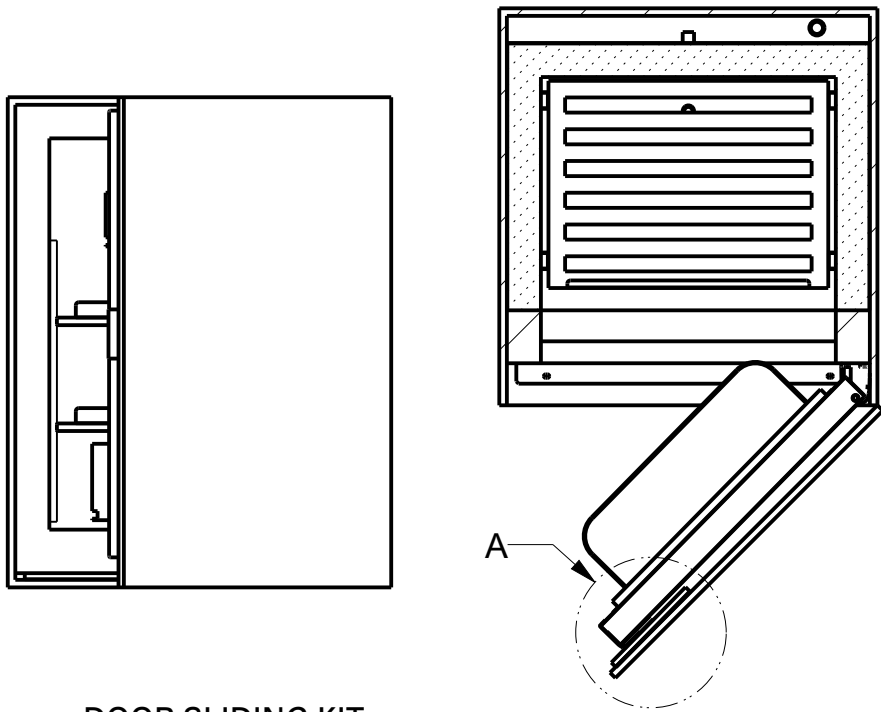


FEATURES CABINET FR80RC

- W480xD537xH620 [mm] Fridge capacity 80 Lt;
- Range of temperature from 0°C to +15°C;
- External plasticized galvanized metal sheet;
- Internal walls in 304BA stainless steel (Polished);
- Front part and door in 316SB stainless steel (Brushed);
- Predisposition for door opening on both the right and left;
- Polyurethane foam insulation thickness 45mm;
- Weight 25Kg (without compressor);
- Condensate drainage connected by ¼ coupling;
- N. 02 stainless steel shelves adjustable in height;
- N. 02 stainless steel bottle holders;
- Gas expansion by capillary pipe;
- Mechanical thermostat for temperature control;
- External compressor (pipe length 2,5m);
- Internal led light with door switch;
- In case of external use, do not expose the refrigerator directly to atmospheric agents, but protect it adequately with special covers.

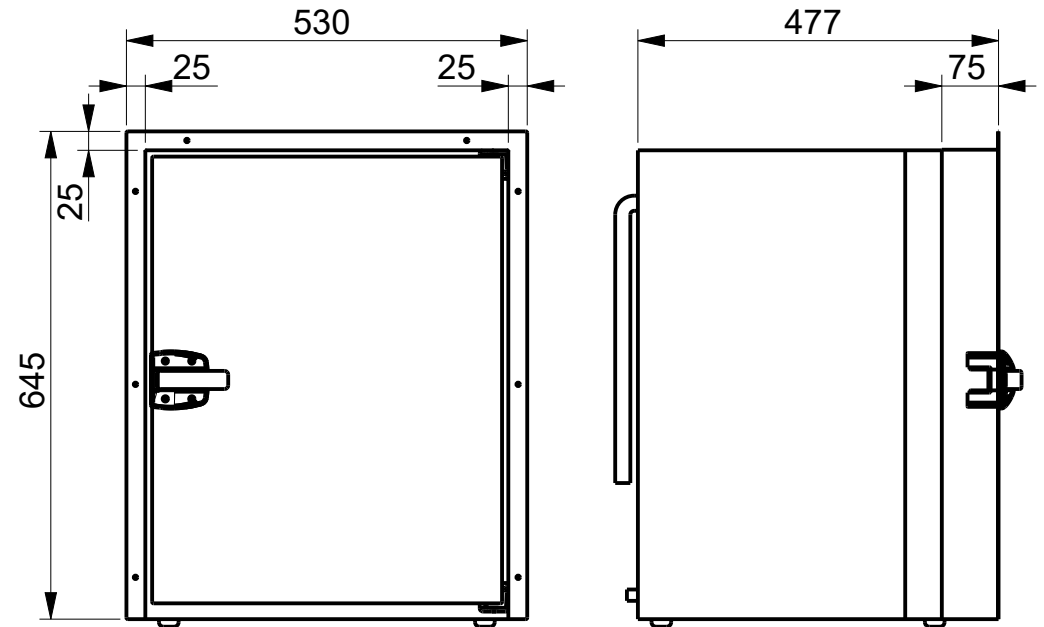
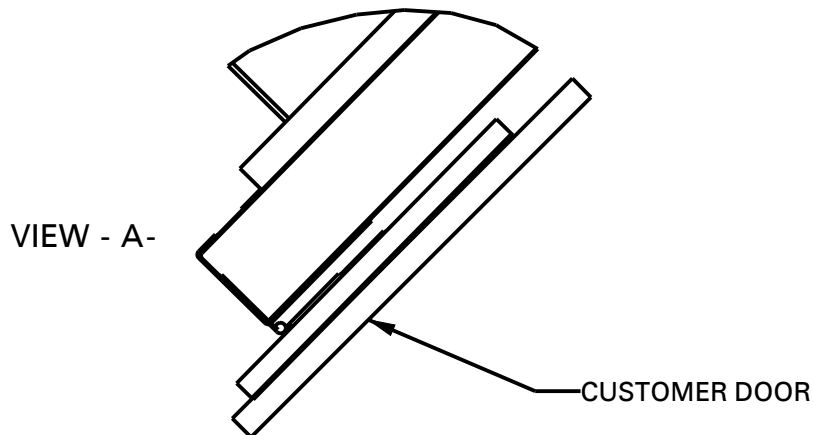
| | |
|--|-----------------------|
| CODICE PRODOTTO / PRODUCT CODE | REVISIONE / REVISION: |
| <h1>mod. FR80RC</h1> | R03 |
| | DATA / DATE: |
| | 01/01/2022 |
|  <p><i>Il freddo a misura di mare</i></p> | |
| <p>Via Confin 64, 30020 Torre di Mosto (Venezia) Italia Tel: +39 0421.325214 - Fax: +39 0421.325343 E-Mail: info@frignonautica.it - P.IVA: 03687150270 www.frigonautica.it</p> | |
| <small> PROPRIETA' DI FRIGNONAUTICA srl Senza autorizzazione scritta della stessa il presente disegno non potrà essere utilizzato per la costruzione dell'oggetto rappresentato, nè venire comunicato a terzi o riprodotto anche parzialmente. La società proprietaria tutela i propri diritti a rigor di legge. ALL PROPRIETARY RIGHT RESERVED BY FRIGNONAUTICA srl This drawing shall not be reproduced also partially or in any way utilized for the manufacture of the component or unit herein illustrated and must not be released to other parties without written consent. Any infringement will be legally pursued. </small> | |

ACCESSORIES - OPTIONAL



- DOOR SLIDING KIT

Sliding mechanism which replaces the handle in the case of a fully built-in installation with an exterior cabinet door.

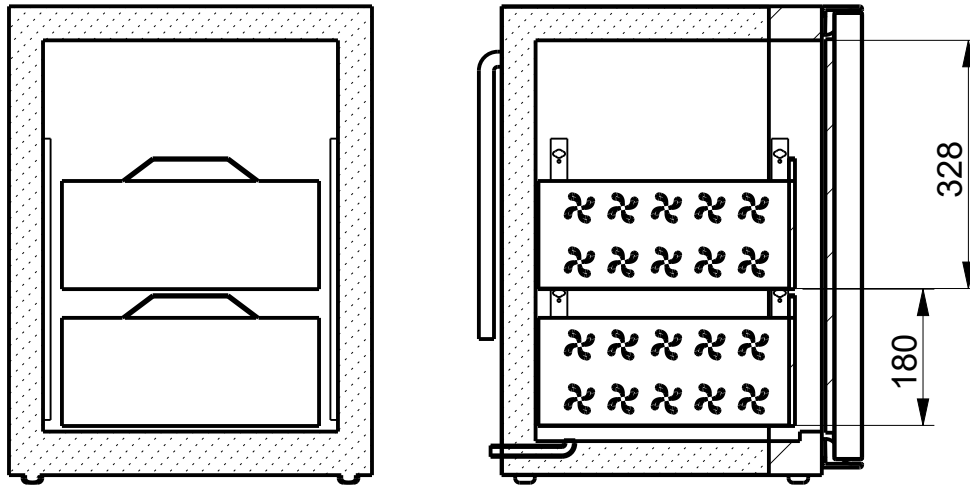


- FIXING KIT

Special stainless steel frame which allows to easily fix the cupboard to the furniture.

| | |
|--|-----------------------|
| CODICE PRODOTTO / PRODUCT CODE | REVISIONE / REVISION: |
| <h1>mod. FR80RC</h1> | R03 |
| | DATA / DATE: |
| | 01/01/2022 |
|  Frigonautica <i>Il freddo a misura di mare</i> | |
| Via Confin 64, 30020 Torre di Mosto (Venezia) Italia Tel: +39 0421.325214 - Fax: +39 0421.325343 E-Mail: info@frigonautica.it - P.IVA: 03687150270 www.frigonautica.it | |
| <small> PROPRIETA' DI FRIGONAUTICA srl Senza autorizzazione scritta della stessa il presente disegno non potrà essere utilizzato per la costruzione dell'oggetto rappresentato, nè venire comunicato a terzi o riprodotto anche parzialmente. La società proprietaria tutela i propri diritti a rigor di legge. ALL PROPRIETARY RIGHT RESERVED BY FRIGONAUTICA srl This drawing shall not be reproduced also partially or in any way utilized for the manufacture of the component or unit herein illustrated and must not be released to other parties without written consent. Any infringement will be legally pursued. </small> | |

ACCESSORIES - OPTIONAL



- SLIDING DRAWERS

Special drawers complete with racks and locking device

No. Max drawers: 02

Net using space drawers (from bottom):

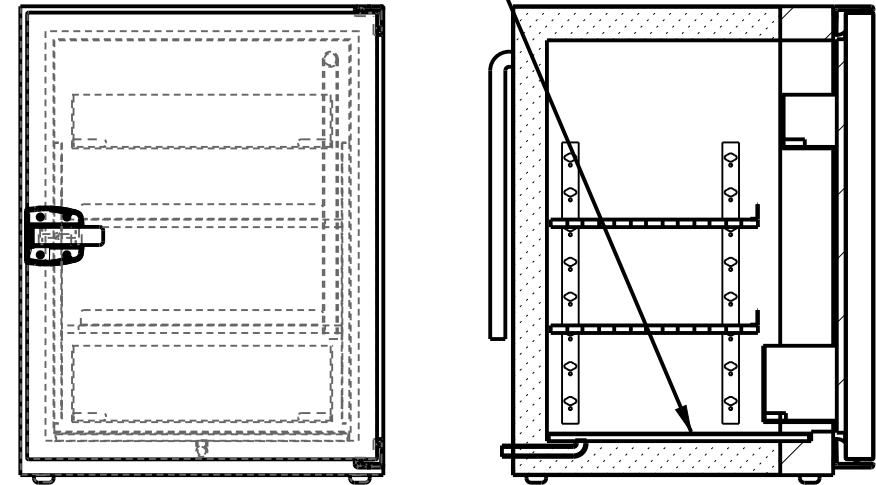
1 drawer W335 x D340 x H180 [mm]

2 drawer W335 x D340 x H328 [mm]

ATTENTION:

In order to pull out the drawers, is necessary that the door is opened at least 140°

STAINLESS STEEL PLATE

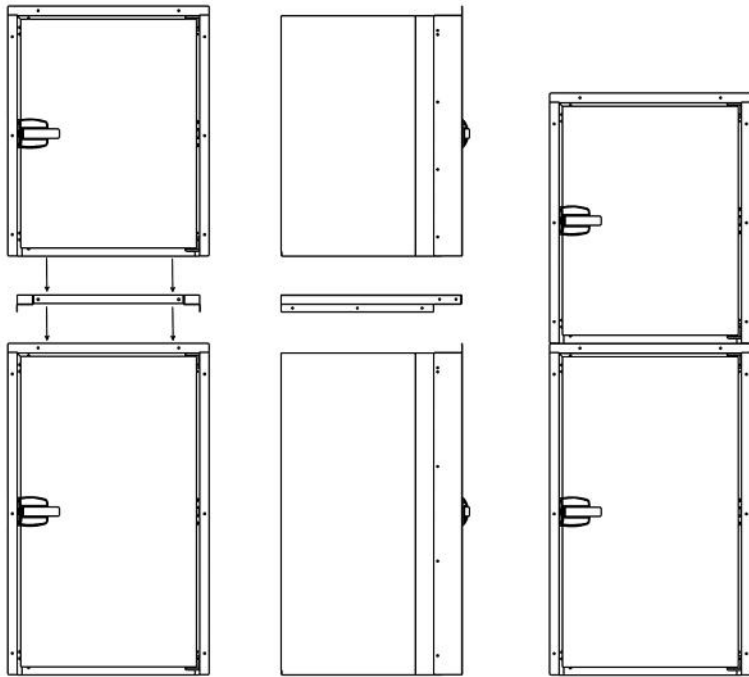


- STAINLESS STEEL PLATE FOR BOTTOM

Raised stainless steel plate keeps foods out of condensation water in the bottom of the fridge.

| | |
|--|-----------------------|
| CODICE PRODOTTO / PRODUCT CODE | REVISIONE / REVISION: |
| mod. FR80RC | R03 |
| | DATA / DATE: |
| | 01/01/2022 |
|  Frigonautica <i>Il freddo a misura di mare</i> | |
| Via Confin 64, 30020 Torre di Mosto (Venezia) Italia Tel: +39 0421.325214 - Fax: +39 0421.325343 E-Mail: info@frignonautica.it - P.IVA: 03687150270 www.frigonautica.it | |
| <small> PROPRIETA' DI FRIGONAUTICA srl Senza autorizzazione scritta della stessa il presente disegno non potrà essere utilizzato per la costruzione dell'oggetto rappresentato, nè venire comunicato a terzi o riprodotto anche parzialmente. La società proprietaria tutela i propri diritti a rigor di legge. ALL PROPRIETARY RIGHT RESERVED BY FRIGONAUTICA srl This drawing shall not be reproduced also partially or in any way utilized for the manufacture of the component or unit herein illustrated and must not be released to other parties without written consent. Any infringement will be legally pursued. </small> | |

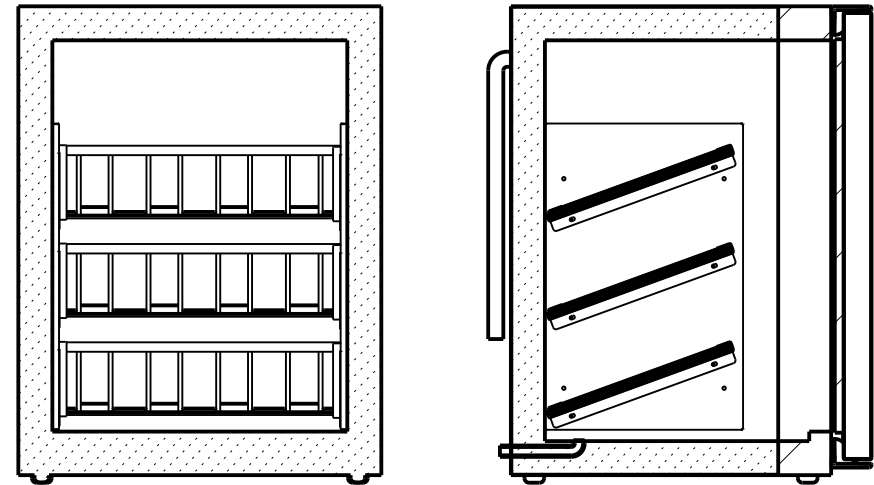
ACCESSORIES - OPTIONAL



- OVERLAP KIT

Special stainless steel overlapping kit that allows you to fix and overlap two Frigonautica models with the same width. The possible combinations are listed in the table below.

| | 42 | 50 | 60 | 80 | 90 | 115 | 130 | 160 | FC0 | FC1 | FC2 | FC4 | CC1 |
|-----|----|----|----|----|----|-----|-----|-----|-----|-----|-----|-----|-----|
| 42 | | | | | | | | | | | | | |
| 50 | | | | | | | | | | | | | |
| 60 | | | | | | | | | | | | | |
| 80 | | | X | X | | X | | | | | | | |
| 90 | | | | | | | | | | | | | |
| 115 | | | | | | | | | | | | | |
| 130 | | | | | | | | | | | | | |
| 160 | | | | | | | | | | | | | |
| FC0 | | | | | | | | | | | | | |
| FC1 | | | | | | | | | | | | | |
| FC2 | | | | | | | | | | | | | |
| FC4 | | | | | | | | | | | | | |
| CC1 | | | | | | | | | | | | | |



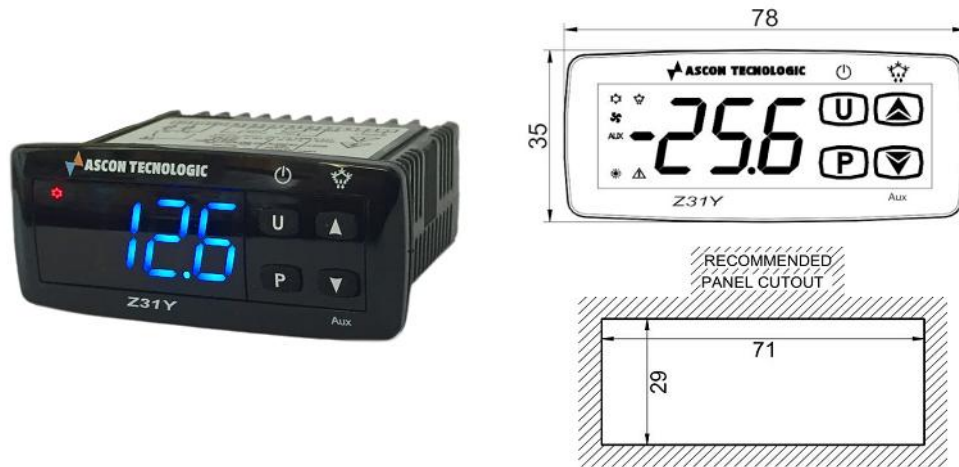
- FIXED OBLIQUE SHELVES

Fixed oblique shelves made especially for laying bottles for up to 04 shelves with 04 bottles each.

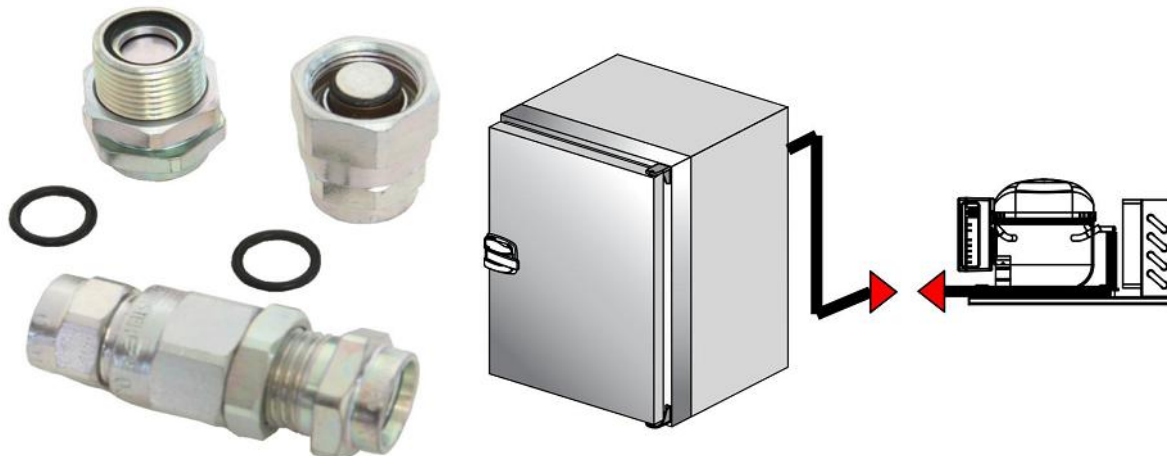
| | |
|--|-----------------------|
| CODICE PRODOTTO / PRODUCT CODE | REVISIONE / REVISION: |
| <h1>mod. FR80RC</h1> | R03 |
| | DATA / DATE: |
| | 01/01/2022 |
|  Frigonautica <i>Il freddo a misura di mare</i> | |
| Via Confin 64, 30020 Torre di Mosto (Venezia) Italia Tel: +39 0421.325214 - Fax: +39 0421.325343 E-Mail: info@frigonautica.it - P.IVA: 03687150270 www.frigonautica.it | |
| <small> PROPRIETA' DI FRIGONAUTICA srl Senza autorizzazione scritta della stessa il presente disegno non potrà essere utilizzato per la costruzione dell'oggetto rappresentato, nè venire comunicato a terzi o riprodotto anche parzialmente. La società proprietaria tutela i propri diritti a rigor di legge. ALL PROPRIETARY RIGHT RESERVED BY FRIGONAUTICA srl This drawing shall not be reproduced also partially or in any way utilized for the manufacture of the component or unit herein illustrated and must not be released to other parties without written consent. Any infringement will be legally pursued. </small> | |

ACCESSORIES - OPTIONAL

- REMOTE ELECTRONICAL THERMOSTAT (DIGITAL THERMOSTAT)
In order to keep the internal temperature under control and have real time indications of fridge functionality.



- QUICKLY COUPLINGS
Special couplings which allow to separate cabinet from compressor avoiding gas losing. That's very useful during installation which do not request skilled technical personnel.



- SWITCHING POWER SUPPLY
Compact and powerful switching power supply.
Dimension: W120 x D270 x H50[mm] - 1,1Kg



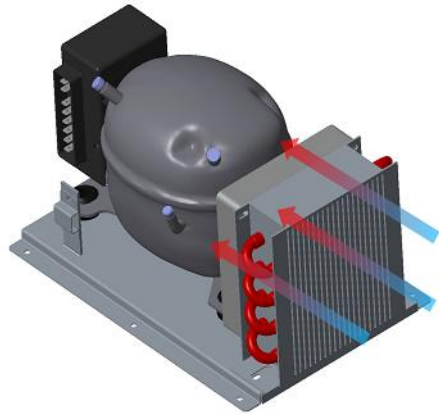
| Model | Input | Power input | Output | |
|--------------------|--------|-------------|--------|-----|
| RA15-110V 12Vdc | 110Vac | 168W | 12Vdc | 14A |
| RA15-110V 24Vdc | 110Vac | 168W | 24Vdc | 7A |
| RA15-220V 12Vdc | 220Vac | 168W | 12Vdc | 14A |
| RA15-220V 24Vdc | 220Vac | 168W | 24Vdc | 7A |

| | |
|--|-----------------------|
| CODICE PRODOTTO / PRODUCT CODE | REVISIONE / REVISION: |
| <h1>mod. FR80RC</h1> | R03 |
| | DATA / DATE: |
| | 01/01/2022 |
| <p><i>Il freddo a misura di mare</i></p> | |
| <p>Via Confin 64, 30020 Torre di Mosto (Venezia) Italia Tel: +39 0421.325214 - Fax: +39 0421.325343 E-Mail: info@frigonautica.it - P.IVA: 03687150270 www.frigonautica.it</p> | |
| <p><small>PROPRIETA' DI FRIGONAUTICA srl Senza autorizzazione scritta della stessa il presente disegno non potrà essere utilizzato per la costruzione dell'oggetto rappresentato, nè venire comunicato a terzi o riprodotto anche parzialmente. La società proprietaria tutela i propri diritti a rigor di legge. ALL PROPRIETY RIGHT RESERVED BY FRIGONAUTICA srl This drawing shall not be reproduced also partially or in any way utilized for the manufacture of the component or unit herein illustrated and must not be released to other parties without written consent. Any infringement will be legally pursued.</small></p> | |

AIRTIGHT UNITS

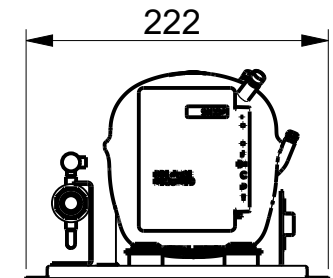
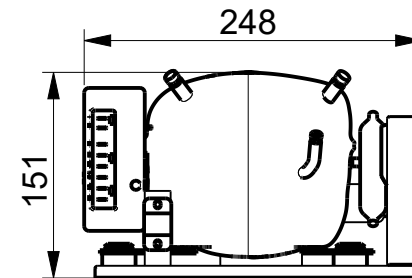
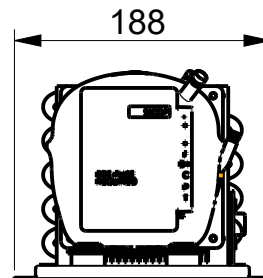
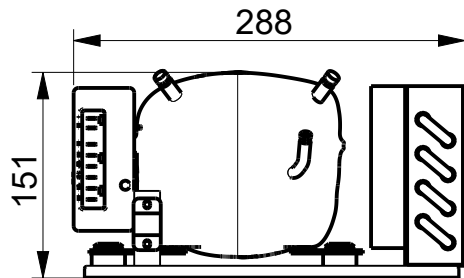
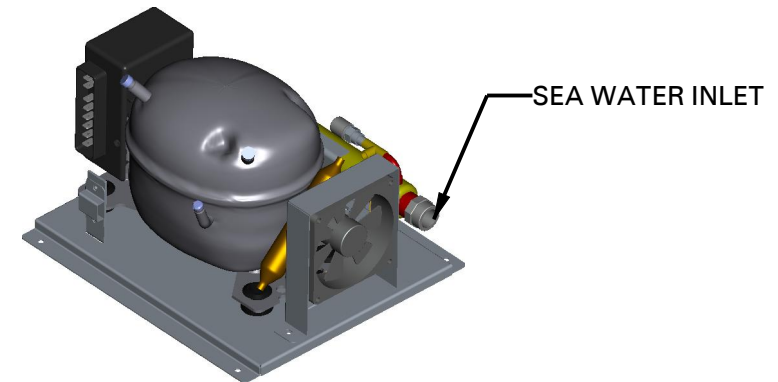
- COOLED BY FORCED AIR

UNIT
EV80



- COOLED BY SEA WATER

UNIT
EAF80



The refrigeration units can be cooled with forced air, or cooled with sea water by means of a circulation pump.

The location of the refrigeration unit must be well ventilated and must allow adequate air passage. It is essential to provide good ventilation to the refrigerating unit. The correct working of the system is guaranteed if there is at least 100m³/h airflow to the compressor. We suggest air opening at least 400cm² for suction and at least 400cm² for warm air exit.

The available voltages are 12 / 24Vdc - 220Vac 50Hz - 110Vac 60Hz.

| | |
|--|-----------------------|
| CODICE PRODOTTO / PRODUCT CODE | REVISIONE / REVISION: |
| <h1>mod. FR80RC</h1> | R03 |
| | DATA / DATE: |
| | 01/01/2022 |
|  Frigonautica <i>Il freddo a misura di mare</i> | |
| Via Confin 64, 30020 Torre di Mosto (Venezia) Italia Tel: +39 0421.325214 - Fax: +39 0421.325343 E-Mail: info@frigonautica.it - P.IVA: 03687150270 www.frigonautica.it | |
| <small> PROPRIETA' DI FRIGONAUTICA srl Senza autorizzazione scritta della stessa il presente disegno non potrà essere utilizzato per la costruzione dell'oggetto rappresentato, nè venire comunicato a terzi o riprodotto anche parzialmente. La società proprietaria tutela i propri diritti a rigor di legge. ALL PROPRIETARY RIGHT RESERVED BY FRIGONAUTICA srl This drawing shall not be reproduced also partially or in any way utilized for the manufacture of the component or unit herein illustrated and must not be released to other parties without written consent. Any infringement will be legally pursued. </small> | |