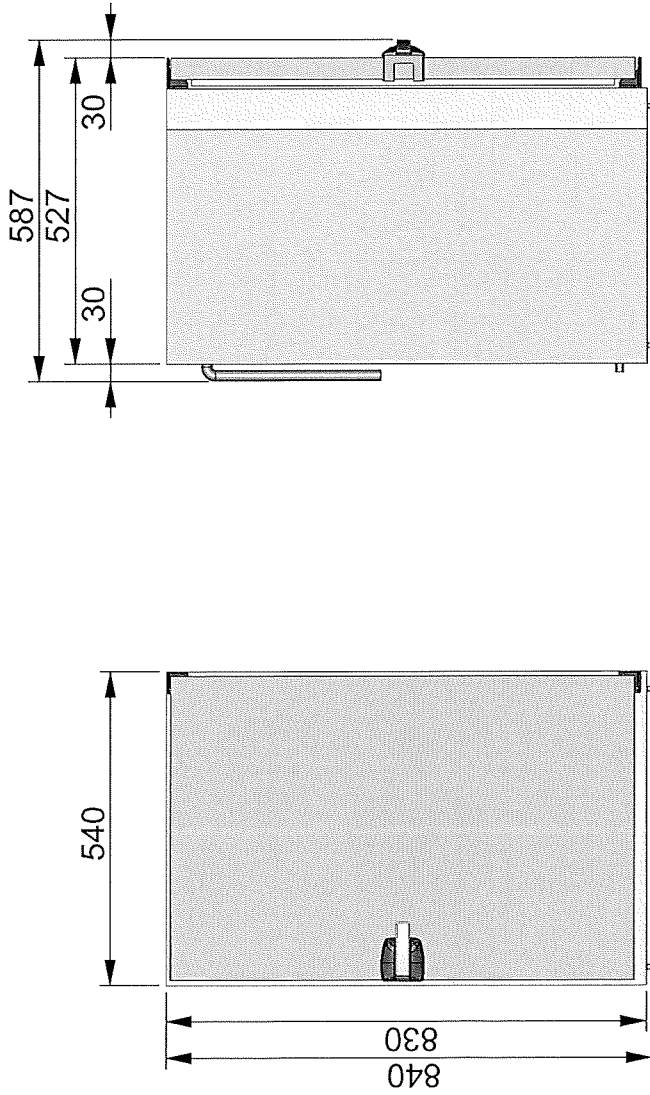
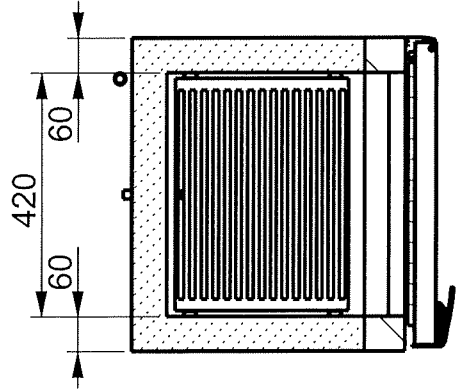
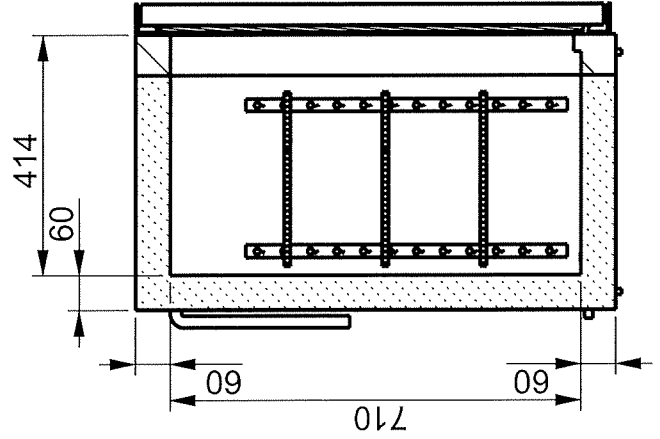


SPECIFICATIONS



FEATURES CABINET C160C

- W540xD587xH840 capacity of the freezer 130Lt;
- Range of temperature from -10°C to -20°C;
- External plasticized galvanized metal sheet;
- Internal walls in polished stainless steel 304BA;
- External front and door in stainless steel 316SB;
- Polyurethane foam insulation thickness 60mm;
- Condensate drainage connected by 1/4 coupling;
- No. 03 stainless steel shelves adjustable in high;
- Gas expansion by capillary pipe;
- Mechanical thermostat for temperature control;
- External compressor (pipe length 2.5m);
- Do not place the refrigerator directly to atmospheric agents, but cover it with proper protections.



CODICE PRODOTTO / PRODUCT CODE

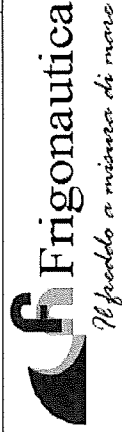
mod. C160C

REVISIONE / REVISION:

R02

DATA / DATE:

04/04/2018



Via Confin 64, 30020 Torre di Mosto (Venezia) Italia Tel: +39 0421.325214 - Fax: +39 0421.325343
E-Mail: info@frigonautica.it - P.IVA: 03687150270
www.frigonautica.it

PROPRIETA' DI FRIGONAUTICA srl
Senza autorizzazione scritta della stessa il presente disegno non potrà essere utilizzato per la costruzione dell'oggetto rappresentato, né venire comunicato a terzi.
Tutti i diritti sono riservati. Tutti i diritti sono riservati.
ALL PROPRIETARY RIGHT RESERVED BY FRIGONAUTICA
This drawing shall not be reproduced also partially or in any way utilized for the manufacture of the component or unit herein illustrated and must not be released to other parties without written consent. Any infringement will be legally pursued.