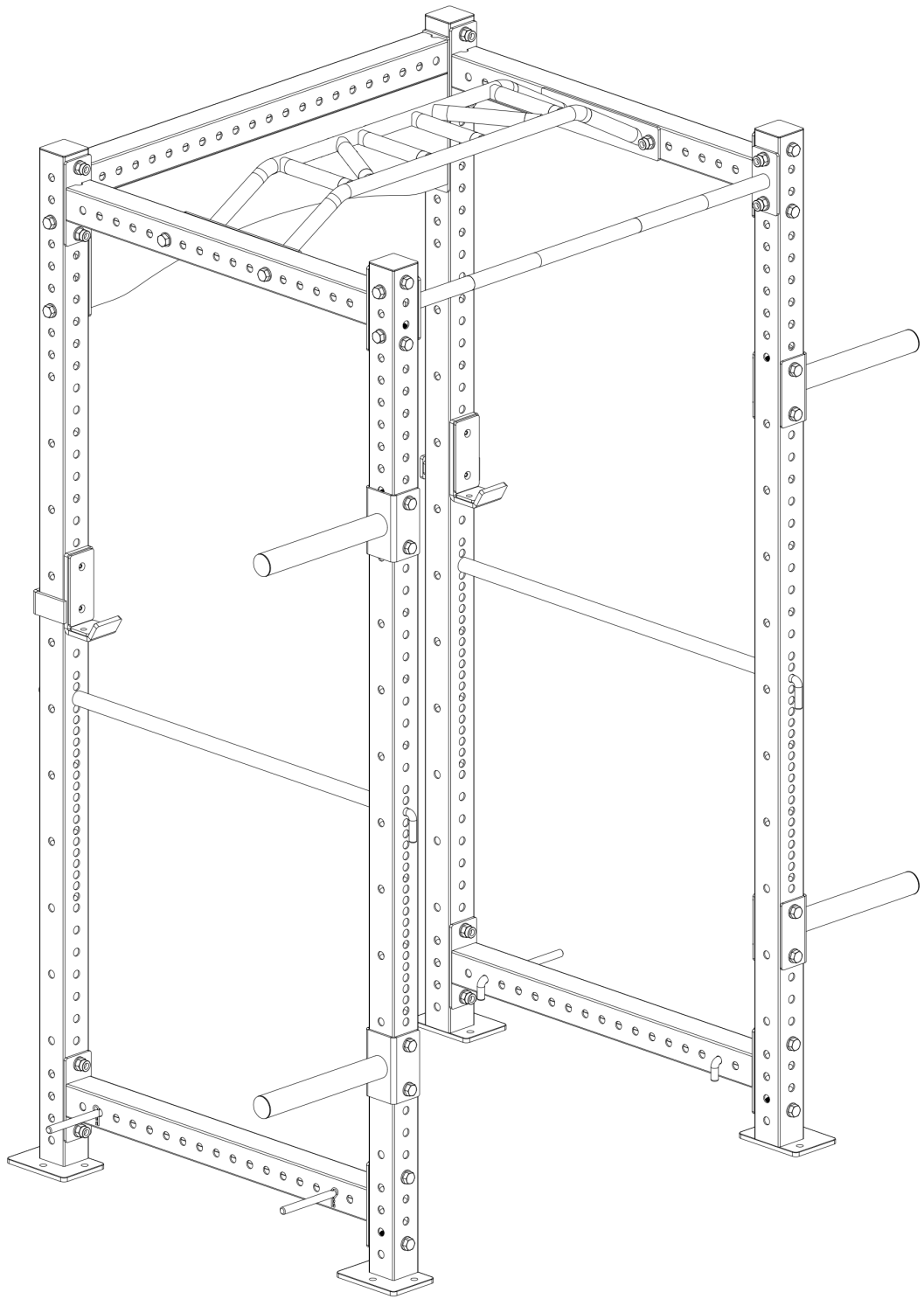
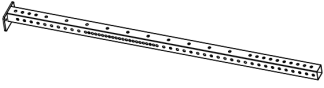
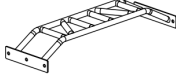
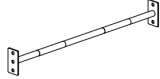
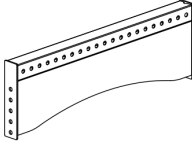
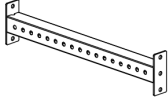
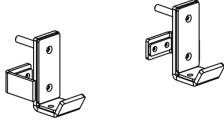
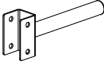
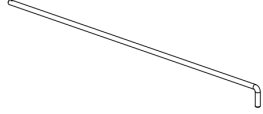
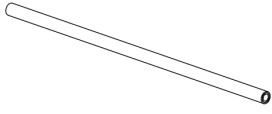







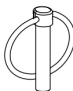

X3 POWER RACK



PARTS LIST

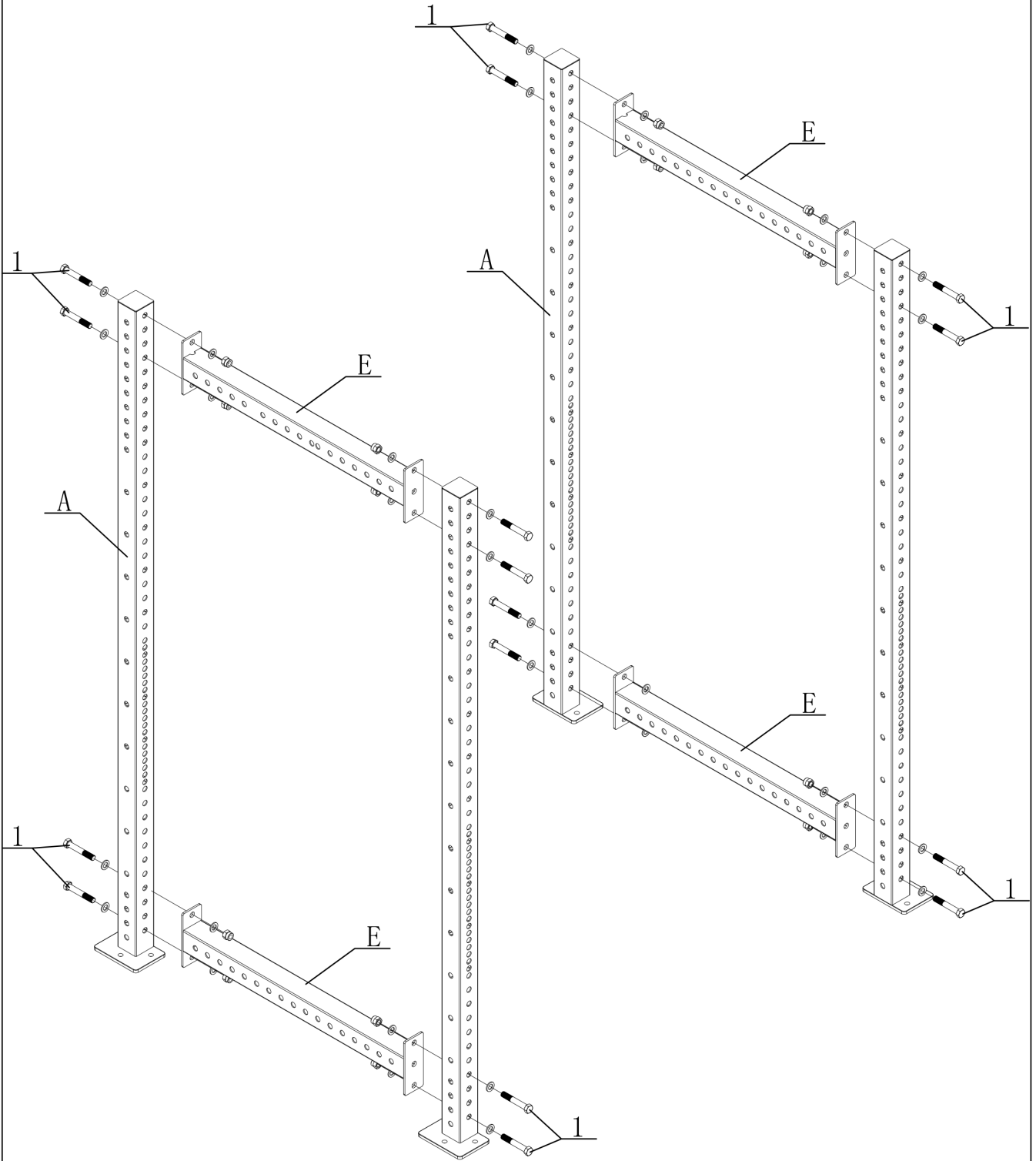
A UPRIGHT 4PCS 	B 43" MULTI-GRIP PULL UP BAR 1PC 	C SKINNY PULL UP BAR 1PC 
D 43" BEAM 1PC 	E CROSSBEAM 4PCS 	F J HOOK-X3 2PCS 
G BARBELL HOLDER 4PCS 	H PIN SAFETY 2PCS 	I PIPE SAFETY 2PCS 
J BAND PEG 4PCS 		

HARDWARE LIST

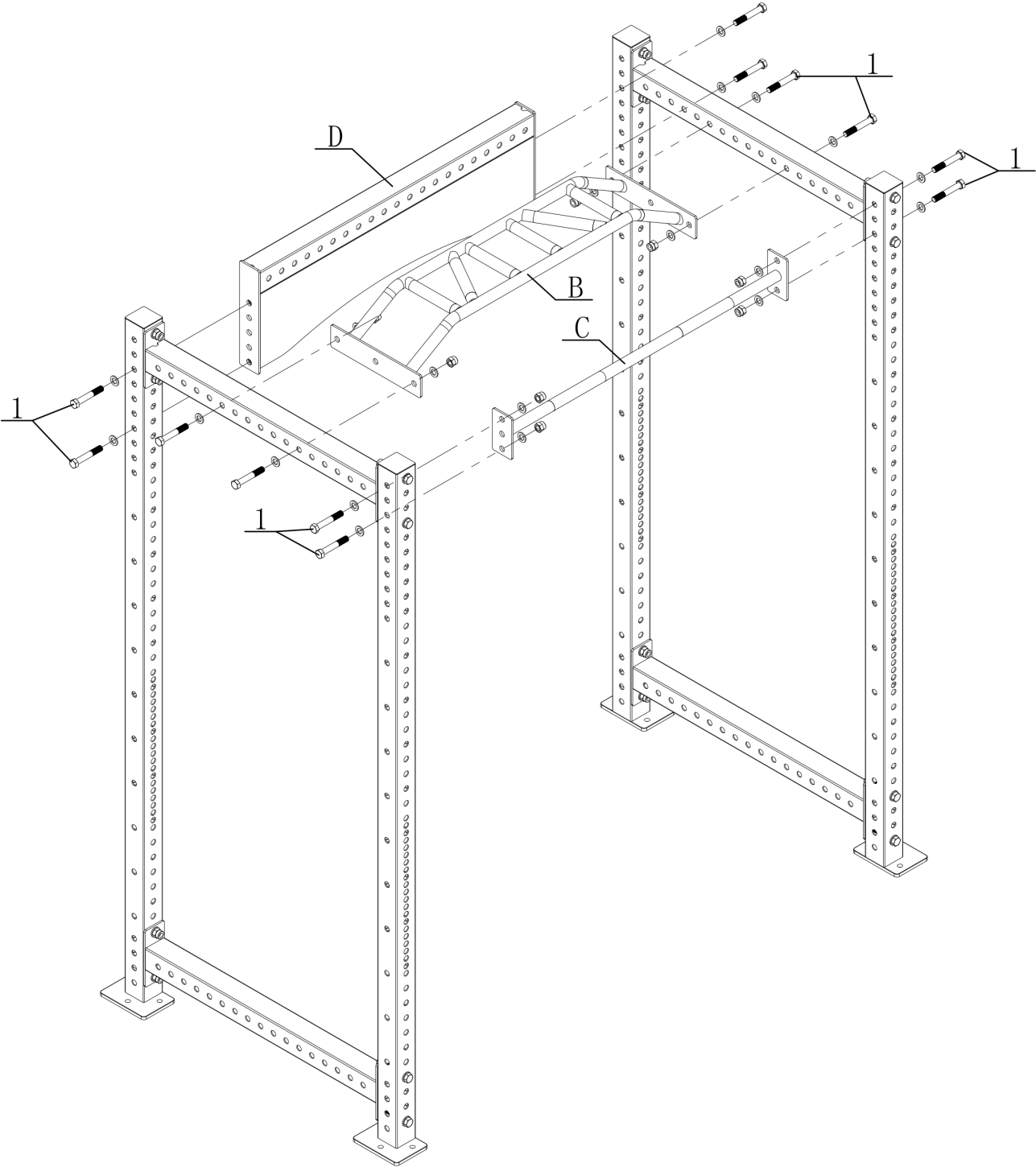
1 BOLT(M16*100) 28PCS 	2 BOLT(M16*105) 8PCS 
3 WASHER(M16) 72PCS 	4 NYLON NUT(M16) 36PCS 
5 SAFETY PIN 2PCS 	6 PIN 4PCS 

ASSEMBLY STEP

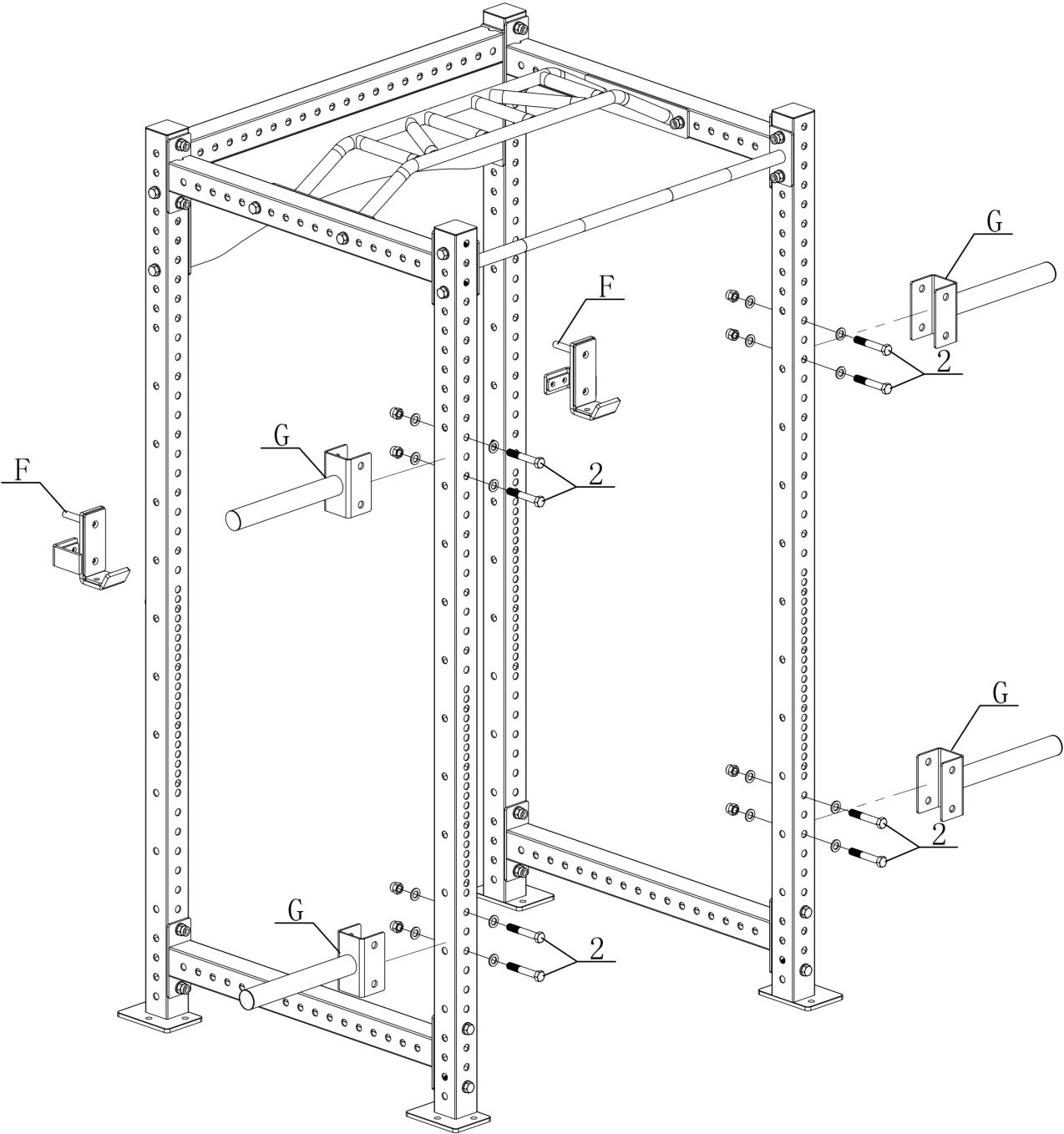
STEP 1.



STEP 2.



STEP 3.



STEP 4.

