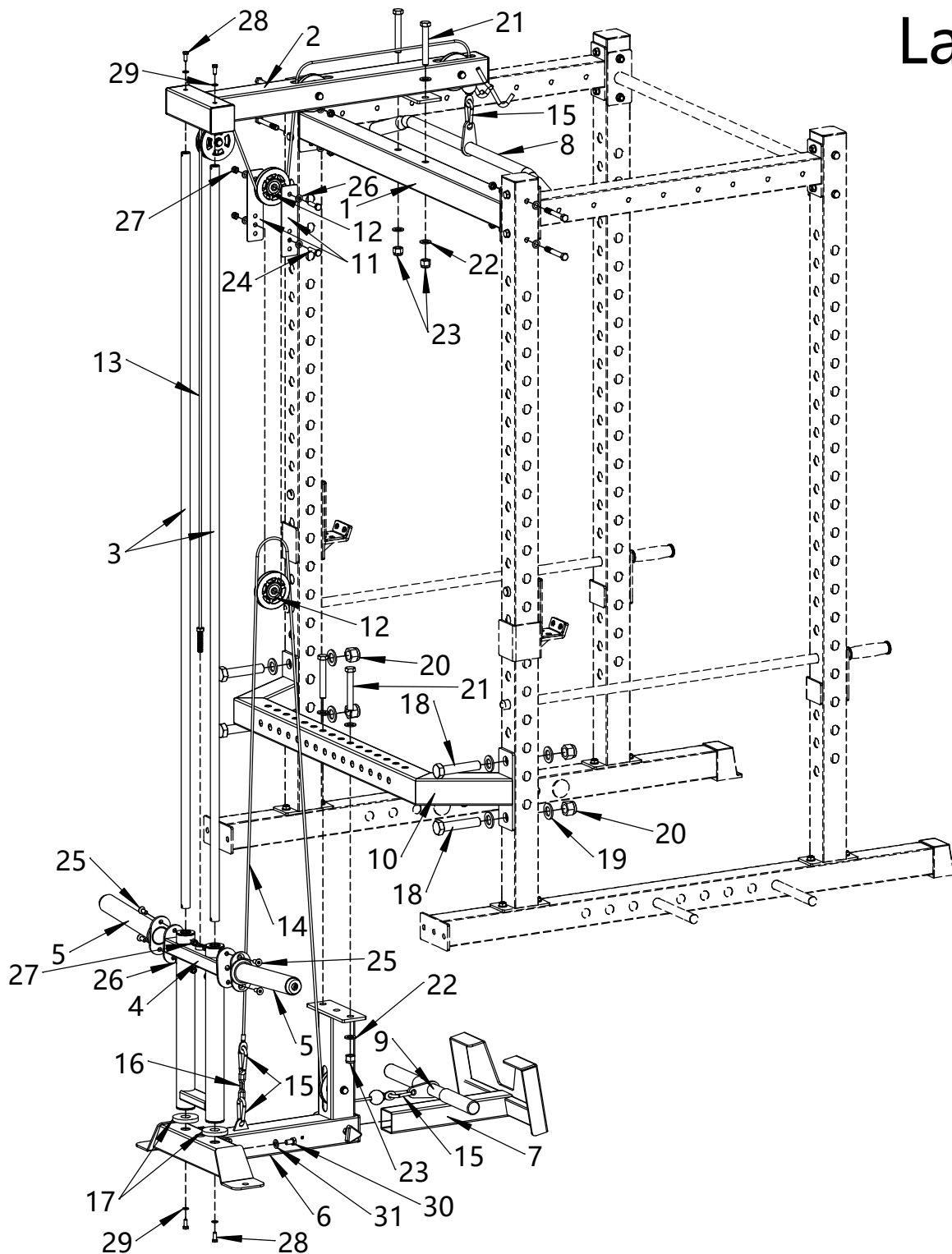


# Lat and Low Row Attachment



## PART LIST

PART NO.	DESCRIPTION	QTY
1	Crossbeam	1
2	Top Connecting Tube	1
3	Guide Rod	2
4	Dumbbell Plates Frame	1
5	Dumbbell Sleeve	2
6	Base Connecting Tube	1
7	Pedal	1
8	Pull Rod A	1
9	Pull Rod B	1
10	Rear Crossbeam	1
11	Pulley Frame	2
12	Pulley	6
13	1# Wire rope	1
14	2# Wire rope	1
15	Gourd Buckle	4
16	Iron Chain	1
17	Cushion	2
18	M24×120 Hex Bolt	4
19	M24 Washer	8
20	M24 Nylon Nut	4
21	M16×110 Hex Bolt	4
22	M16 Washer	8
23	M16 Nylon Nut	4
24	M10×45 Hex Bolt	2
25	M10×20 Socket Cap Screw	4
26	M10 Washer	8
27	M10 Nylon Nut	6
28	M8×20 Hex Bolt	4
29	M8 Washer	4
30	M12×20 Hex Bolt	2
31	M12 Washer	2