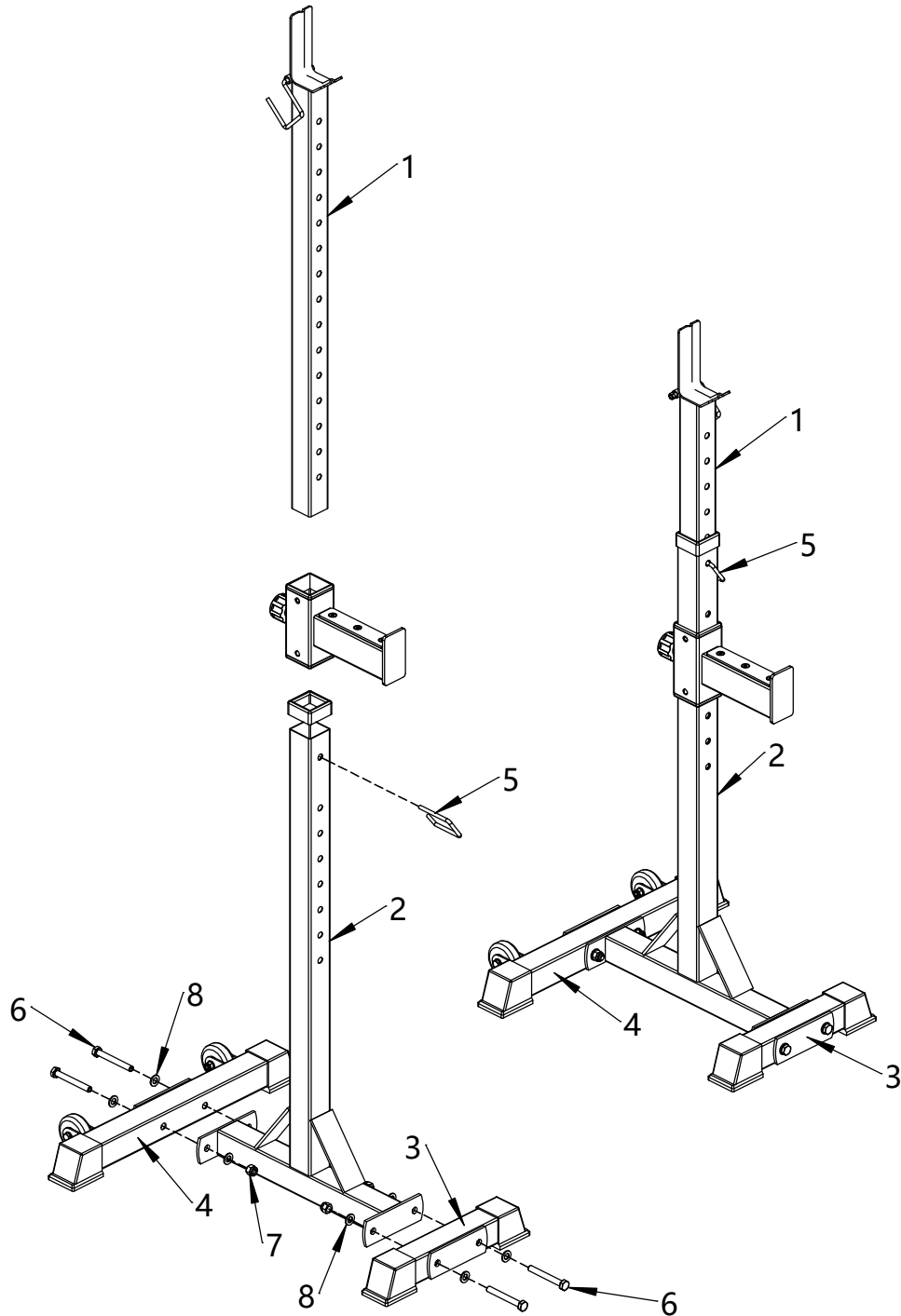


Adjustable Squat Rack



PART LIST

PART NO.	DESCRIPTION	QTY
1	Upright	2
2	Main Frame	2
3	Front Foot Tube	2
4	Rear Foot Tube	2
5	Safety Pin	2
6	M10×75 Hex Bolt	8
7	M10 Nylon Nut	8
8	M10 Washer	16