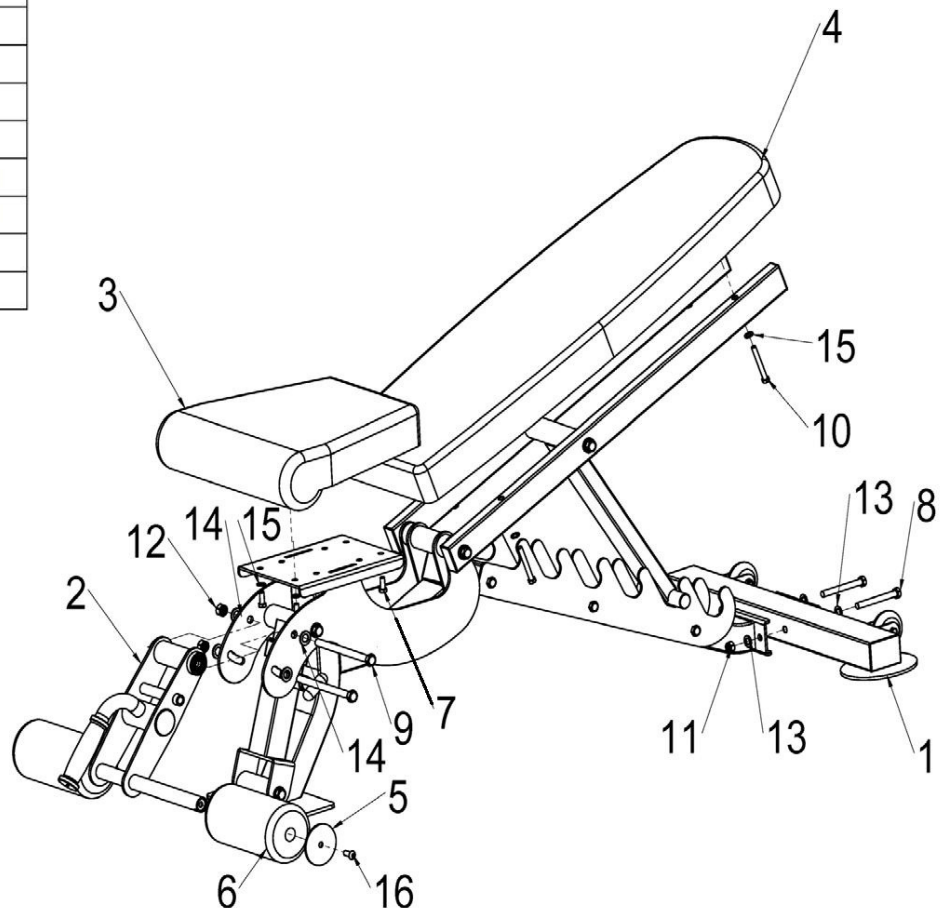




# ASSEMBLY INSTRUCTIONS FOR VULCAN COMMERCIAL FID BENCH

## The composing of accessories

PART NO.	DESCRIPTION	QTY
1	Foot Tube	1
2	Leg Extension Tube	1
3	Seat	1
4	Backrest	1
5	Big Washer	2
6	Foam	2
7	M8X20 Hex Bolt	4
8	M10X90 Hex Bolt	2
9	M12X150 Hex Bolt	2
10	M8X65 Hex Bolt	4
11	M10 Nylon Nut	2
12	M12 Nylon Nut	2
13	M10 Washer	4
14	M12 Washer	4
15	M8 Washer	8
16	M8X20 Hex socket Bolt	2



IF YOU HAVE ANY QUESTIONS PLEASE EMAIL [SUPPORT@VULCANFITNESS.COM.AU](mailto:SUPPORT@VULCANFITNESS.COM.AU) OR CALL +61 404 969 244

THANKS FROM ALL OF US AT TEAM VULCAN.

[WWW.VULCANFITNESS.COM.AU](http://WWW.VULCANFITNESS.COM.AU)