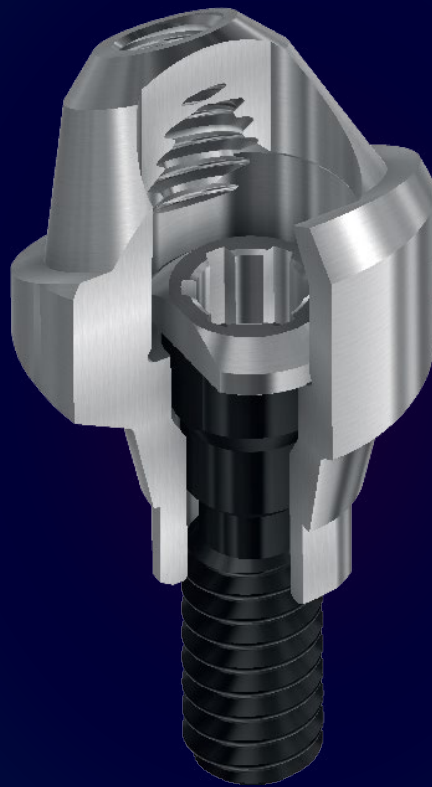


# Multi-Unit Abutment

## Catalogue



Precision Multi-Unit Abutments for major implant systems,  
compatible with the Universal Nexus Scan Gauge Kit

COMPATIBLE WITH  
**NEXUS iOS**

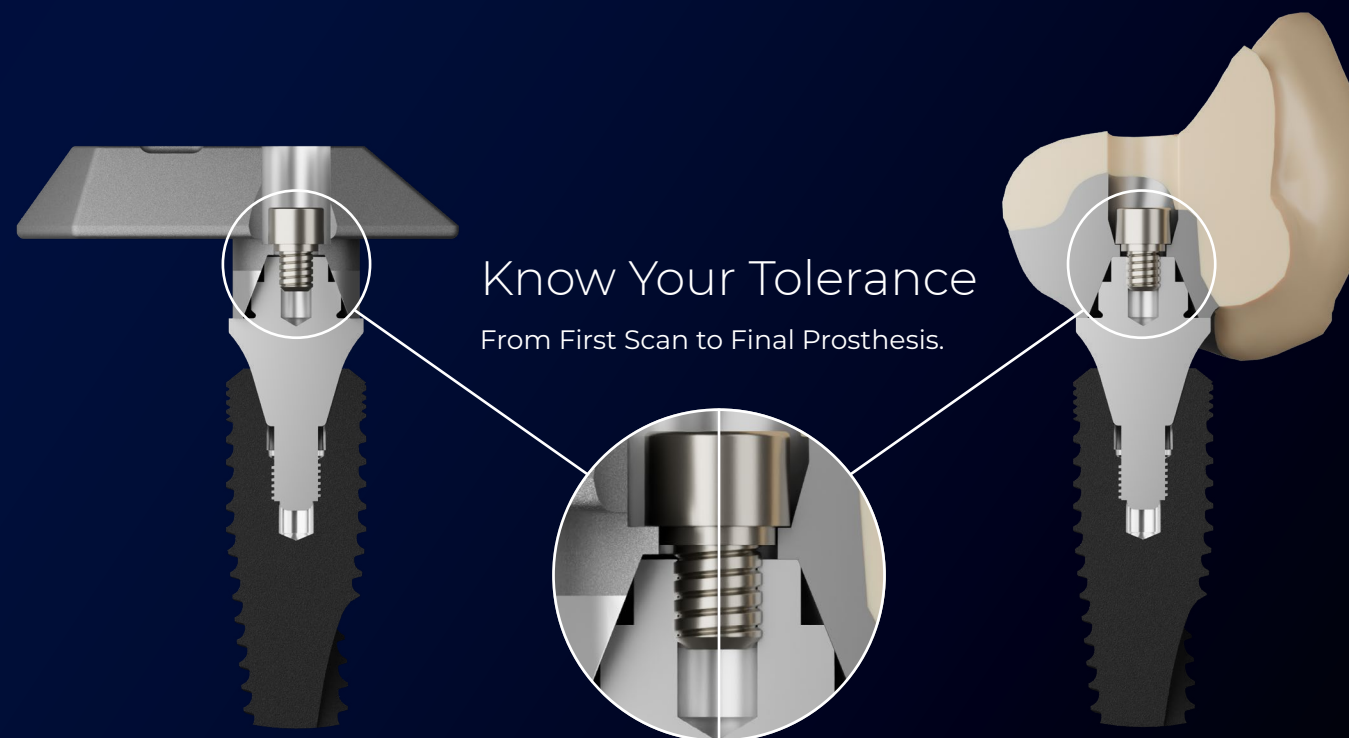
# One Multi-Unit. One Scan Gauge Kit. One precision-fit interface.



## Simplifying the full arch journey.

Osteon Medical presents a comprehensive range of Multi-Unit abutments, available for most major implant platforms.

Designed to make your full-arch restorative process as easy as possible. Order your implant-platforms Multi-Unit Abutments ahead of time via your local customer service.



Know Your Tolerance  
From First Scan to Final Prosthesis.



Controlled Scan Gauge and MUA production results in a precision fit, leading to consistent scan outcomes.



Unigrip prosthetic screw compatible, provided with each Nexus iOS case.

Industry standard conical shape, designed to fit Universal (AA) Scan Gauge Kits.

## Available Compatibilities:



**Nobelactive® & Nobelreplace® CC**  
Active Hex



**Zimmer Screw-Vent®**  
Internal Hex USA



**Osstem® TS**  
Conic OSS



**Nobel Replace Select™**  
Tri-Lobe



**Astra Tech Implant System™ EV**  
Conic Evo



**Biohorizons® Internal**  
Internal Hex BH



**Straumann® Bone Level**  
Conical BL



**Astra Tech Osseospeed™**  
Internal Hex Conic

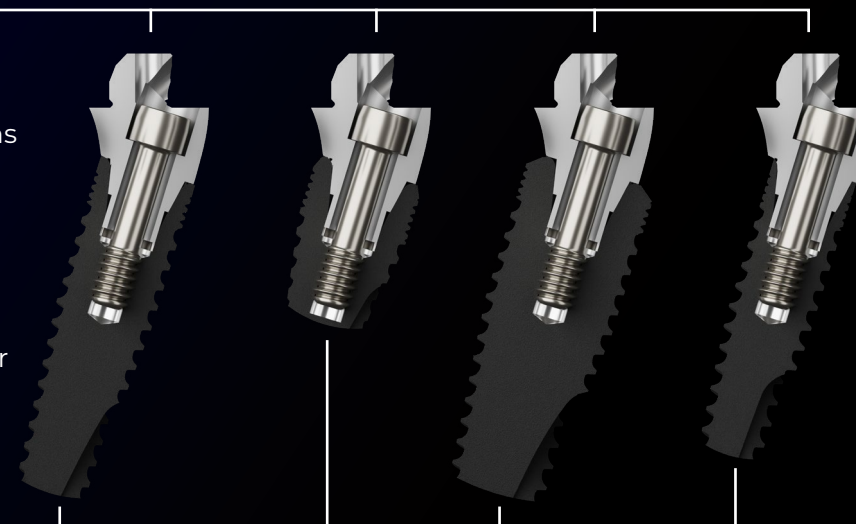


**MIS® Seven**  
Internal Hex MI

The Osteon Medical Multi-Unit range helps standardize restorations irrespective of implant platform.

**Universal restorative connection.**

**Your chosen implant system.**  
Utilizing the OEM compatible driver for the chosen implant connection.

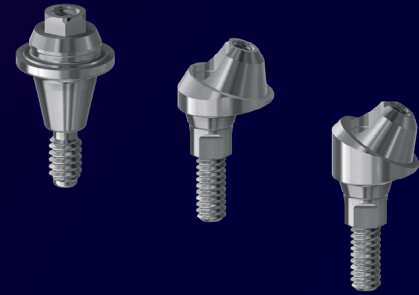


# Available Compatibilities:

Legend	
Non-Engaging:	○
Engaging:	⊗⊗⊗⊗
GH:	Gingival Height

## NobelActive® & NobelReplace® CC

**NP**  
3.5      **RP**  
4.3/5.0



GH 1.5mm	0°	○	40.007/1	40.008/1
GH 2.5mm	0°	○	40.007/2	40.008/2
GH 3.5mm	0°	○	40.007/3	40.008/3
GH 2.5mm	17°	⊗	41.707/2	41.708/2
GH 3.5mm	17°	⊗	41.707/3	41.708/3
GH 3.5mm	30°	⊗	43.007/3	43.008/3

4.8 Multi-Unit Platform

## NobelReplace® Select

**NP**  
3.5      **RP**  
4.3      **WP**  
5.0



GH 1.0mm	0°	○	40.004/1	40.005/1	40.006/1
GH 2.0mm	0°	○	40.004/2	40.005/2	40.006/2
GH 3.0mm	0°	○	40.004/3	40.005/3	40.006/3

4.8 Multi-Unit Platform

## Straumann® Bone Level

Conical BL

**NP**  
NC / 3.3      **RP**  
RC / 4.1-4.8



GH 1.5mm	0°	○	40.043/1	40.044/1
GH 2.5mm	0°	○	40.043/2	40.044/2
GH 3.5mm	0°	○	40.043/3	40.044/3
GH 2.5mm	17°	⊗	41.743/2	41.744/2
GH 3.5mm	17°	⊗	41.743/3	41.744/3
GH 3.5mm	30°	⊗	43.043/3	43.044/3

4.8 Multi-Unit Platform

## Zimmer Screw-vent® / MIS® Seven

Internal Hex USA / Internal Hex MI

**NP**  
3.5      **RP**  
4.5



GH 1.0mm	0°	○	40.019/1	40.020/1
GH 2.0mm	0°	○	40.019/2	40.020/2
GH 3.0mm	0°	○	40.019/3	40.020/3
GH 2.5mm	17°	○	41.719/2	
GH 3.5mm	17°	○	41.719/3	
GH 3.5mm	30°	○	43.019/3	
GH 4.5mm	30°	○	43.019/4	

4.8 Multi-Unit Platform

## Astra Tech Implant System® EV

Conic EVO

**EV/3.6**  
3.6      **EV/4.2**  
4.2      **EV/4.8**  
4.8



GH 1.5mm	0°	○	40.027/1	40.036/1	40.037/1
GH 2.5mm	0°	○	40.027/2	40.036/2	40.037/2
GH 3.5mm	0°	○	40.027/3	40.036/3	40.037/3
GH 3.5mm	17°	⊗	41.727/3	41.736/3	41.737/3

4.8 Multi-Unit Platform

## Astra Tech Osseospeed™

Internal Hex Coni

**RP**  
3.5-4.0      **WP**  
4.5-45.0



GH 1.5mm	0°	○	40.024/1	40.025/1
GH 2.5mm	0°	○	40.024/2	40.025/2
GH 3.5mm	0°	○	40.024/3	40.025/3
GH 3.5mm	17°	○	41.724/3	41.725/3

4.8 Multi-Unit Platform

# Available Compatibilities:

## Osstem® TS

Conic OSS

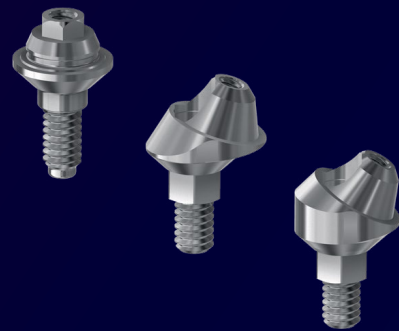


				Mini	STD
				Mini	Regular
	GH 1.5mm	0°	○	40.072/1	40.073/1
	GH 2.5mm	0°	○	40.072/2	40.073/2
	GH 3.5mm	0°	○	40.072/3	40.073/3

4.8 Multi-Unit Platform

## BioHorizons® Internal

Internal Hex BH



				NP	RP
				3.5-4.0	4.5-45.0
	GH 1.0mm	0°	○	40.087/1	40.088/1
	GH 2.0mm	0°	○	40.087/2	40.088/2
	GH 3.0mm	0°	○	40.087/3	40.088/3
	GH 2.5mm	17°	⬡	41.719/2	
	GH 3.5mm	17°	⬡	41.719/3	
	GH 3.5mm	30°	⬡	43.019/3	
	GH 4.5mm	30°	⬡	43.019/4	

4.8 Multi-Unit Platform

## Additional Componentry:

			Code
<b>Scan Gauge Kit Componentry</b>	Scan Analog for SGK Only (replacement)		SG020102-4PK
	Narrow Scanbody for SGK Only (replacement)		SG020103-3PK
	Screws for AA SGK Only (replacement) 10 pack		OST-NB-MR04-10PK
	Driver and handle for Scan Gauge Kits Only		OST-SGD-18-1
<b>Drivers &amp; Screws</b>	Multiunit Driver Regular Platform		DTMURP
	Unigrip Screwdriver	20MM	OST-DT20U
	Unigrip Screwdriver	24MM	OST-DT24U
	Unigrip Screwdriver	30MM	OST-DT30U
	Screw UG on Multi-unit RP (multiunit connection)		19.006
	Screw Hex 1.28 on Abutment		19.066
	Screw MIS MU 4.8 (Internal Hex MI)		19.085
	Screw TORX on SRA (Conical BL)		19.098
<b>Healing Abutment</b>	Healing Abutment Multi-Unit (RP)		OST-20.100

## Osteon Medical Multi-Unit Recommended Screw Torque

Platform Torque  
MUA to Implant  
Ncm

	<b>Nobelactive® &amp; Nobelreplace® CC</b> Active Hex	3.5	35
		4.3	35
	<b>Nobel Replace Select™</b> Tri-Lobe	3.5	35
		4.3	35
		5.0	35
	<b>Straumann® Bone Level</b> Conical BL	3.3	35
		4.1	35
	<b>Zimmer Screw-Vent®</b> Internal Hex USA	3.5	30
		4.5	30
	<b>Astra Tech Implant System™ EV</b> Conic Evo	3.6	25
		4.2	25
		4.8	25
	<b>Astra Tech Osseospeed™</b> Internal Hex Conic	3.5-4.0	20
		4.5-5.0	25
	<b>Osstem® TS</b> Conic OSS	Mini	20
		Regular	30
	<b>Biohorizons® Internal</b> Internal Hex BH	3.5	30
		4.5	30
	<b>Mis® Seven</b> Internal Hex MI	Standard	25
		Wide	25



## For Orders Contact:

**USA & Canada**  
**Keystone Dental Customer Service**  
Tel: +1 781-328-3490  
Toll-free: 866-902-9272

---

BioHorizons® is a registered trademark of BioHorizons, INC.  
Brånemark System®, NobelReplace® and Replace Select™, NobelActive™, NobelReplace® CC, NobelSpeedy™  
and Multi-unit® are registered trademarks of Nobel Biocare AB  
Neodent®, Grand Morse® , Straumann® and synOcta® are registered trademarks of Straumann Holding AG, Switzerland  
Zimmer Screw-Vent® and SwissPlus® are registered trademarks of Zimmer Dental INC, USA  
Osstem® , Hiossen® is a registered trademark of OSSTEM IMPLANT CO. LTD

Osteon Medical products can only be used by licensed dentists, physicians and labs.

Please refer to the instructions for use available on the website [www.osteonmedical.com/downloads](http://www.osteonmedical.com/downloads)

Some products may not be available in your country. Some of the products are cleared for US and Canada.  
Contact your local customer service team for more details.