



**LUKE ROBERTS**

SMART LIGHTING

ENGLISH

**Please read this instruction manual carefully before using this product!**



## Product specification

### Luminaire

Light source: Non-replaceable LEDs

Luminous flux: 4000lm down / 1400lm up

Downlight: 84 spots, 2700K-4000K, CRI>95

Uplight: 16 segments, RGBWW color mix

Sensors: Optical and acoustic

Wireless connection: Bluetooth® 4.2 LE

Smart Lamp size:  $\varnothing$ 11.8in x 3.2in

Ceiling mount size:  $\varnothing$ 6.5in x 1.5in

Weight incl. ceiling mount: 7 lb

Environment: IP20, 50°-95°F, no contact with water, RH <85% (non-condensing)

### Electrical specifications

Rated input with power supply included in ceiling mount: **120V AC, 60Hz**

Input of Smart Lamp: **12V DC, max. 5.4A**

Rated power: max. 75W under full load

Insulation class: Class I

## Support

At Luke Roberts we strive to offer you the best user experience. If you need help with this product, or have any questions or feedback, please visit our website for online help and contact information:

[www.luke-roberts.com/support](http://www.luke-roberts.com/support)

## Warnings and safety instructions

- ➔ Never connect the smart lamp directly to 120V or any power supply other than the one included in the package
- ➔ Make sure your voltage is appropriate for the included power supply
- ➔ Dry conditions only - use this luminaire only indoors
- ➔ Use the luminaire only in the allowed environment and temperature range
- ➔ The luminaire is not a toy and not designed to be played by children
- ➔ Do not stare directly into the light source
- ➔ Do not pull on the hanging luminaire
- ➔ Do not attach anything to the luminaire except authorized accessories
- ➔ Only a qualified electrician should install the luminaire
- ➔ The LED module of the luminaire cannot be replaced – don't disassemble the luminaire without authorization
- ➔ Opening the luminaire voids warranty
- ➔ Make sure to switch off mains power during installation of the luminaire
- ➔ This luminaire does not work in combination with a dimmer
- ➔ The luminaire will produce heat – allow proper airflow around it
- ➔ The smart lamp's flexible cable can only be replaced by the manufacturer or an authorized service agent

## **Cleaning**

- ➔ Luminaire needs to be switched off and at room temperature before cleaning it
- ➔ Use the microfiber cloth supplied with the luminaire to clean the surface dry
- ➔ Do not use water or any chemicals
- ➔ Remove dust from the smart lamp heat sink regularly to ensure proper airflow

## **Disposal**

Do not dispose of electrical appliances as unsorted municipal waste. Use separate collection facilities. Contact your local government or local authority for information regarding the collection systems available.

## **Limited warranty**

Luke Roberts warrants that this device will be free from defects in material and workmanship and will operate for 2 years when used and installed as directed. If this device does not conform to the warranty, Luke Roberts will send you, at its discretion, a replacement device or refund your original price upon receipt of the returned device, register receipt, and proof of purchase. Please contact Luke Roberts support to find out how to return the device. This limited warranty does not cover devices subject to accident, neglect, abuse, misuse or acts of God.

## **Intellectual property**

This product contains proprietary technology by Luke Roberts GmbH. Reverse engineering in any form of the hardware or software is not allowed.

Several technologies are patent-pending. »Luke Roberts« is a registered trademark of Luke Roberts GmbH.

The Bluetooth® word mark and logos are registered trademarks owned by the Bluetooth SIG, Inc. and any use of such marks by Luke Roberts GmbH is under license. Other trademarks and trade names are those of their respective owners.

Apple, the Apple logo, iPhone, and iPad are trademarks of Apple Inc., registered in the U.S. and other countries. App Store is a service mark of Apple Inc., registered in the U.S. and other countries.

Google Play and the Google Play logo are trademarks of Google LLC.



Luke Roberts GmbH

Hernalser Guertel 1/12

1170 Vienna

Austria

[www.luke-roberts.com](http://www.luke-roberts.com)

[support@luke-roberts.com](mailto:support@luke-roberts.com)



## FCC Compliance Statement

This device complies with part 15 of the FCC Rules. Operation is subject to the following two conditions:

- (1) This device may not cause harmful interference, and
- (2) this device must accept any interference received, including interference that may cause undesired operation.

## Information to the user

The device is only in compliance if no changes or modifications is made to the device.

The device is in compliance with the requirement for RF exposure in the US with 20 cm separation distance between the user and the device.

The antenna is fixed to the device and no change in antenna or fixation of the antenna is acceptable and such modification is considered to violate the Compliance Statement.

For details on locating the product's FCC ID electronically in the app, visit:

[www.luke-roberts.com/support](http://www.luke-roberts.com/support)

## Note

This equipment has been tested and found to comply with the limits for a Class B digital device, pursuant to part 15 of the FCC Rules. These limits are designed to provide reasonable protection against harmful interference in a residential installation. This equipment generates, uses and can radiate radio fre-

quency energy and, if not installed and used in accordance with the instructions, may cause harmful interference to radio communications. However, there is no guarantee that interference will not occur in a particular installation. If this equipment does cause harmful interference to radio or television reception, which can be determined by turning the equipment off and on, the user is encouraged to try to correct the interference by one or more of the following measures:

- Reorient or relocate the receiving antenna.
- Increase the separation between the equipment and receiver.
- Connect the equipment into an outlet on a circuit different from that to which the receiver is connected.
- Consult the dealer or an experienced radio/TV technician for help.



## IC Compliance Statement (Canada)

(LRF02, IC: 23941-01LR)

This device complies with Industry Canada's licence-exempt RSSs and CAN ICES-005 B / NMB-005 B.

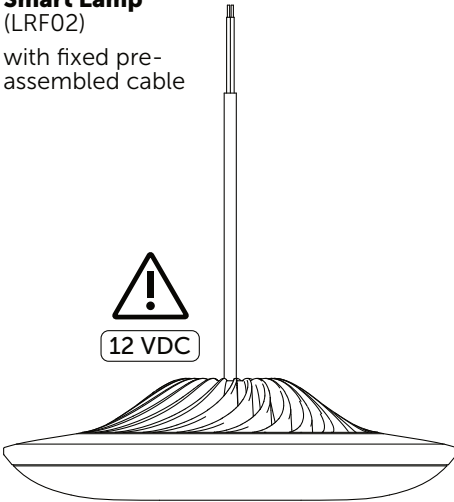
Operation is subject to the following two conditions:

- (1) This device may not cause interference; and
- (2) This device must accept any interference, including interference that may cause undesired operation of the device.

# PACKAGE CONTENTS

## Smart Lamp (LRF02)

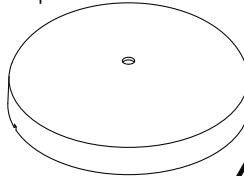
with fixed pre-assembled cable



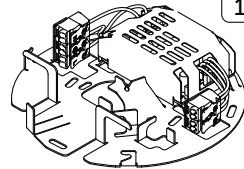
## Ceiling Mount (LRFM02)

pre-assembled with power supply

Cap

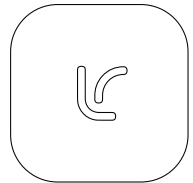
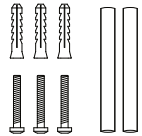


Base



## Installation and Cleaning Accessories

(package content might vary depending on your country of purchase)

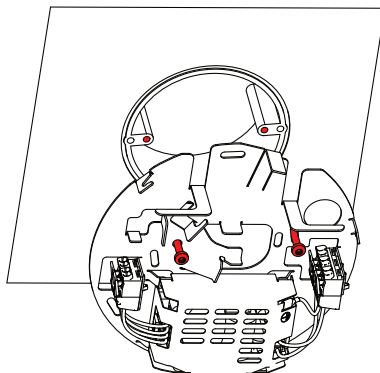
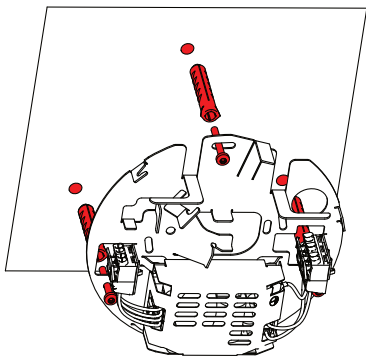


# INSTALLATION REQUIREMENTS

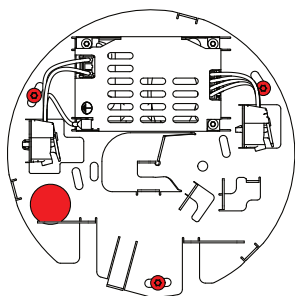
- ➔ Make sure the mains power is disconnected before proceeding with the installation
- ➔ Ensure that mains wires are sized 20-14 AWG, use appropriate material otherwise
- ➔ Check that no dimmer is present in the mains circuit that will power the luminaire
- ➔ Ceiling mount needs to be mounted on flat ceiling surface withstanding up to 160°F
- ➔ Keep space around lamp and ceiling mount clear in order to maintain proper airflow
- ➔ Please use most appropriate fastening method depending on your type of ceiling
- ➔ The lamp needs to hang at least 0.8ft below the ceiling mount
- ➔ Excess lamp cable can be stored in the ceiling mount or cut at your own risk

# INSTALLATION INSTRUCTIONS

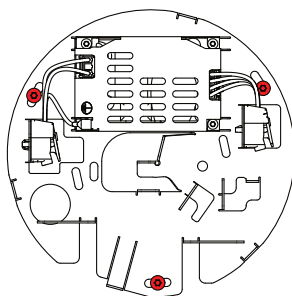
- 1 Fasten base to ceiling using at least 2 screws and the best method for your ceiling type. Be careful not to scratch the mains wires and use fiberglass wire sleeving if required. If a ceiling outlet box is used, make sure it can hold the luminaire's weight (7 lb).



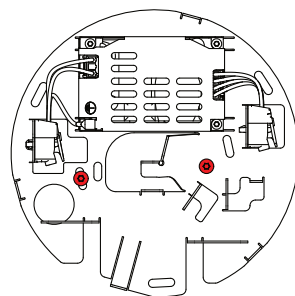
Please use the respective screw hole positions for your type of installation:



Direct to ceiling (1/2 conduit)

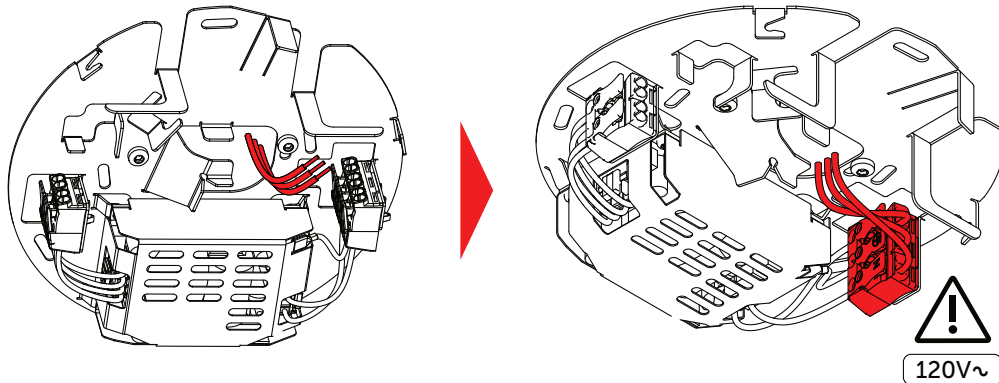


Over junction box

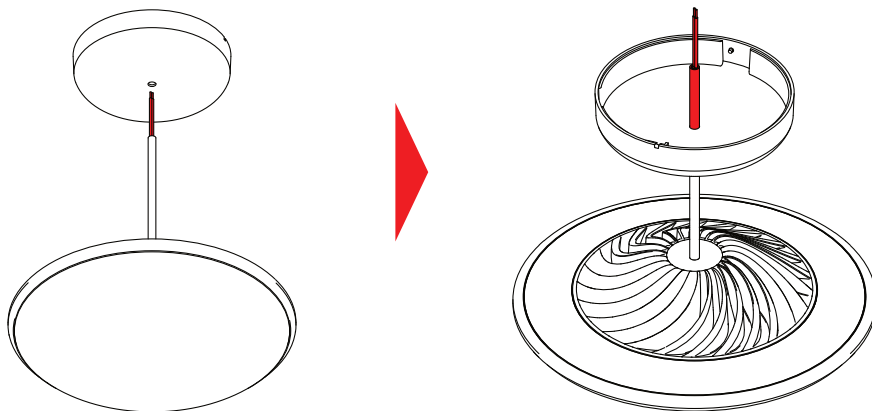


On ceiling box

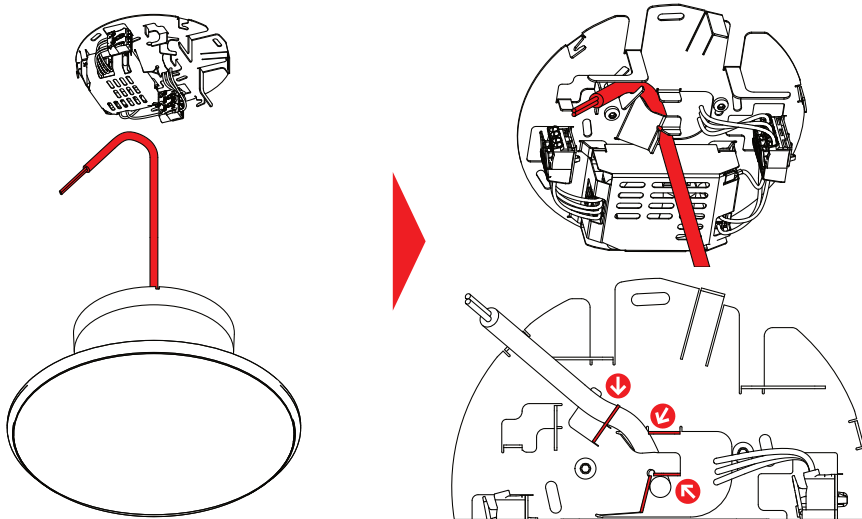
- ② Plug mains wires into the primary side connector marked with "120 VAC".  
Connect the wires according to connector markings (N,  $\perp$ , L).



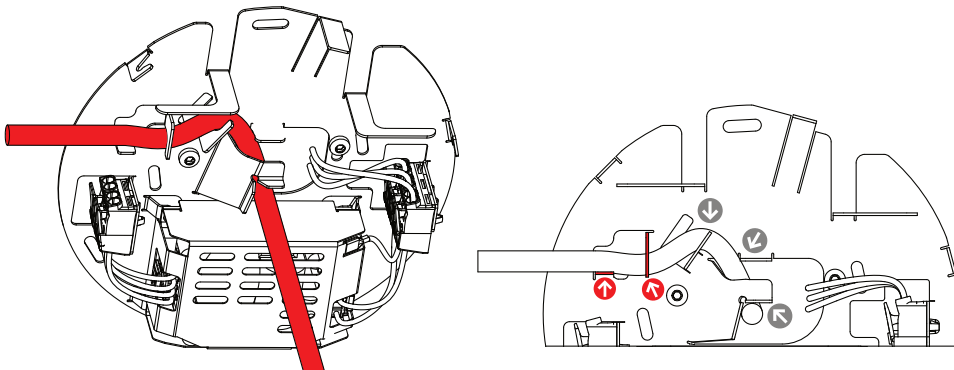
- ③ Prepare lamp for installation by pulling its cable through the ceiling mount cap.  
Make sure to not harm the cable.



- ④ Attach lamp to ceiling mount by placing lamp cable into the hook at the desired height.

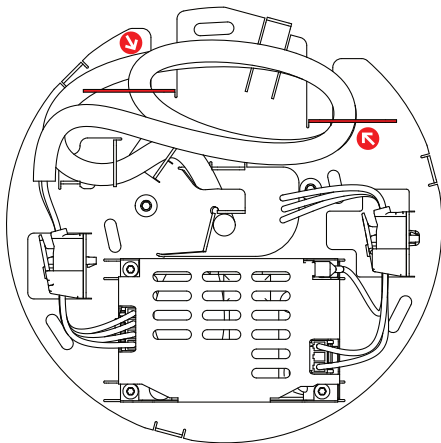
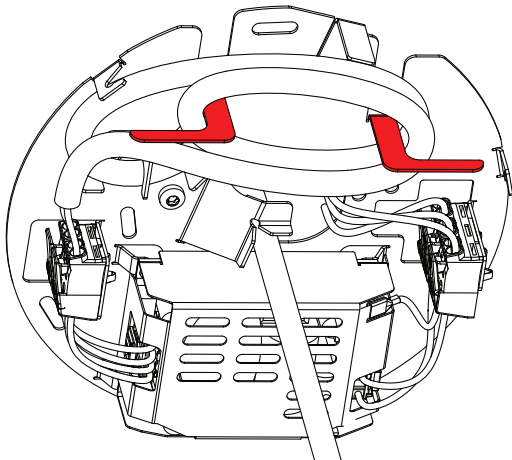


- ⑤ Continue placing the cable into the indicated position to secure the lamp.

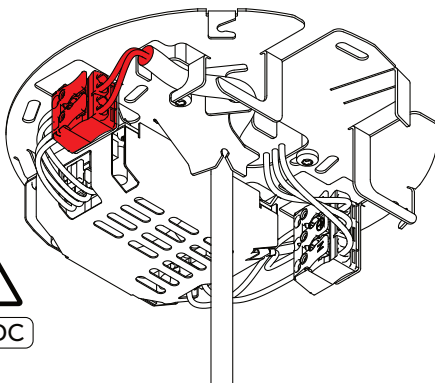
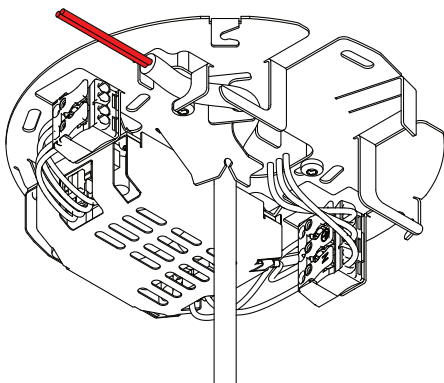




- 6 Wind up excess cable tightly around the two cable holding hooks before connecting.

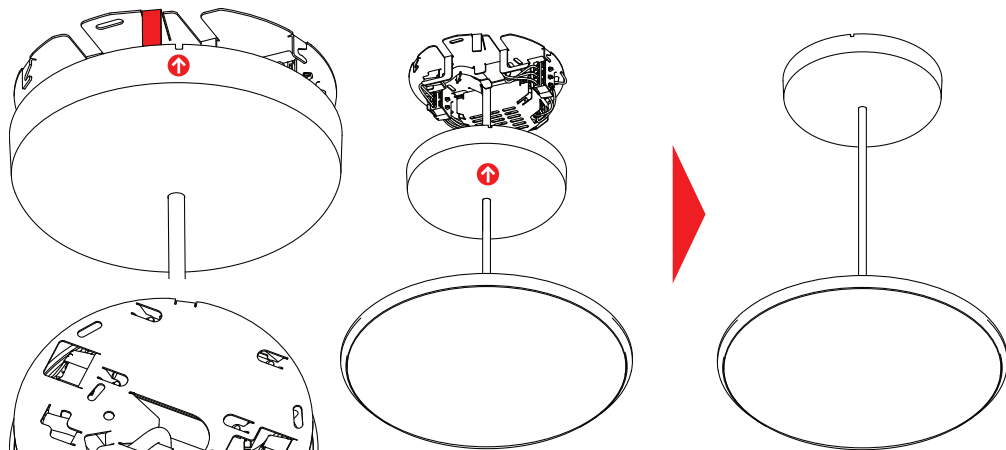


- 7 Connect lamp cable to secondary connector marked "12 VDC".  
Match the wire colors on the cable and connector.

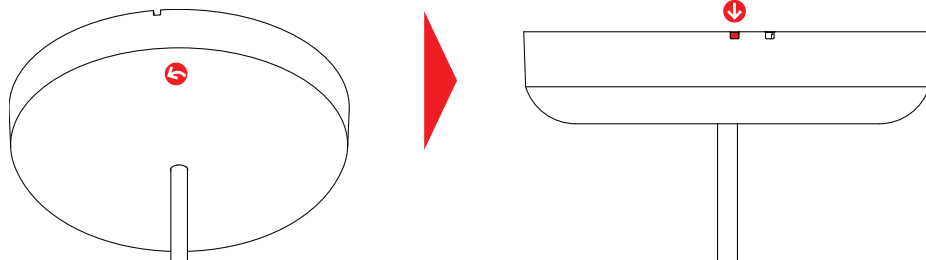


12 VDC

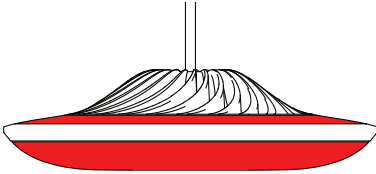
- 8 Push up the ceiling mount cap. Make sure to find the correct position, where the latch is on the left side of the dent in the cap. In any other position, the cap will not fully fit.



Then lock the cap by turning it counter-clockwise until it latches in.



- 9 Switch on mains power. Immediately after power-on, the lamp will light up.  
Connect to the lamp using the Luke Roberts app available on the App Store for iPhone and iPad and on Google Play.  
If the lamp does not work, please go to [www.luke-roberts.com/support](http://www.luke-roberts.com/support)



[app.luro.li](http://app.luro.li)

## HOW TO REMOVE THE LAMP

- ➔ Make sure to disconnect mains power before removing the ceiling mount cap.
- ➔ Insert a flat screw driver trough the opening on the cap side to push down the latch of the ceiling mount base. While pushing, hold the cap and rotate it clockwise until the latch releases. Then pull down the cap from the base and slide it down the lamp cable.
- ➔ Continue with undoing step 7 of the installation instructions and proceed with undoing the steps in reverse order until the lamp is removed.

