



AMETEK
LAMB ELECTRIC

Product Bulletin

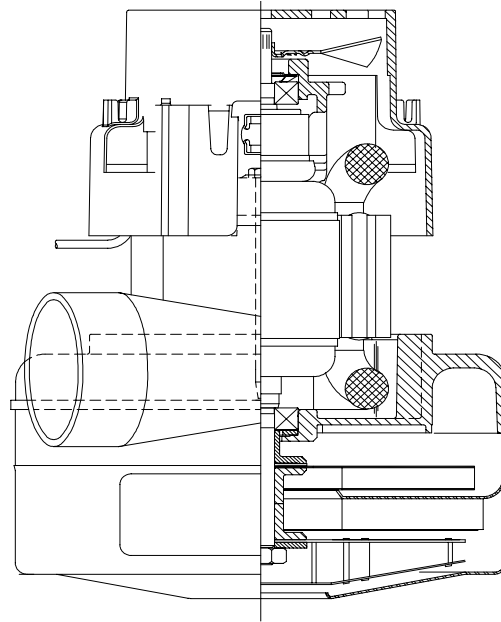
Model: 122060-07

DESCRIPTION

- Double stage
- 230 volts
- 5.7"/ 145 mm diameter
- Dual ball bearings
- Single speed
- Tangential bypass discharge
- Plastic fan end bracket
- Plastic commutator bracket

DESIGN APPLICATION

- Equipment operating in environments requiring separation of working air from motor ventilating air
- Designed to handle clean, dry, filtered air only



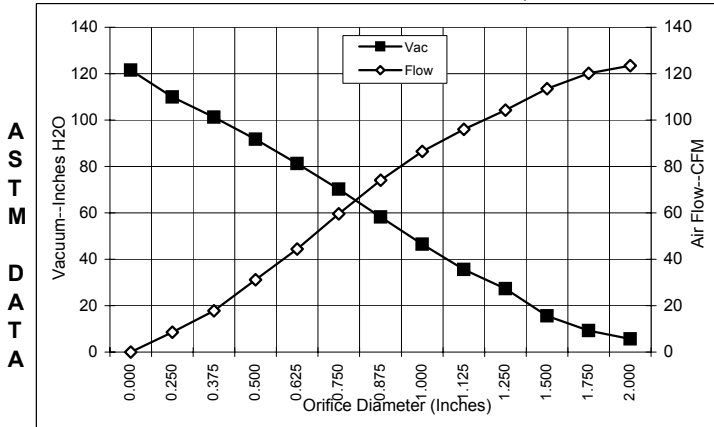
SPECIAL FEATURES

- Suitable for 230 volt AC operation, 50/60 Hz
- UL recognized, category PRGY2 (E47185)
- Provision for grounding
- Skeleton frame design
- Tapered fan system
- The Lamb vacuum motor line offers a wide range of performance levels to meet design needs

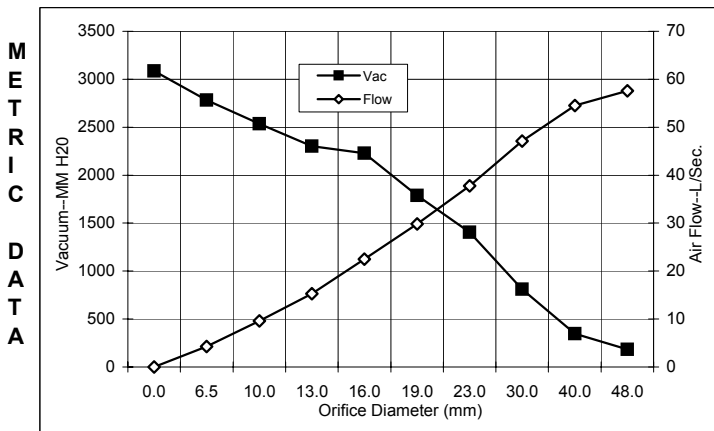


TYPICAL MOTOR PERFORMANCE.*

(At 230 volts, 60Hz, test data is corrected to standard conditions of 29.92 Hg, 68° F.)



Orifice (Inches)	Amps	Watts (In)	RPM	Vac (In.H ₂ O)	Flow (CFM)	Air Watts
2.000	6.9	1521	24737	5.6	123.5	82
1.750	6.9	1530	24670	9.2	120.2	130
1.500	7.0	1543	24570	15.6	113.5	209
1.250	7.1	1562	24447	27.4	104.3	336
1.125	7.1	1567	24440	35.6	96.1	402
1.000	7.1	1563	24427	46.5	86.5	473
0.875	6.9	1533	24586	58.2	74.1	507
0.750	6.7	1479	24973	70.1	59.6	492
0.625	6.3	1398	24697	81.2	44.4	242
0.500	5.8	1294	26673	91.7	31.1	325
0.375	5.3	1182	27963	101.3	17.8	212
0.250	4.8	1080	29310	110.0	8.6	111
0.000	4.8	1011	30400	121.5	0.0	0



Orifice (mm)	Amps	Watts (In)	RPM	Vac (mm H ₂ O)	Flow (L/Sec)	Air Watts
48.0	6.9	1525	24708	183	57.6	103
40.0	6.9	1539	24600	348	54.5	185
30.0	7.1	1565	24443	809	47.1	372
23.0	7.0	1541	24546	1404	37.8	515
19.0	6.7	1477	24967	1787	29.8	528
16.0	6.3	1401	24708	2230	22.5	470
13.0	5.8	1304	26475	2303	15.3	317
10.0	5.3	1199	27770	2536	9.6	229
6.5	4.8	1085	29243	2782	4.3	116
0.0	4.8	1011	30400	3086	0.0	0

Note: Metric performance data is calculated from the ASTM data above.

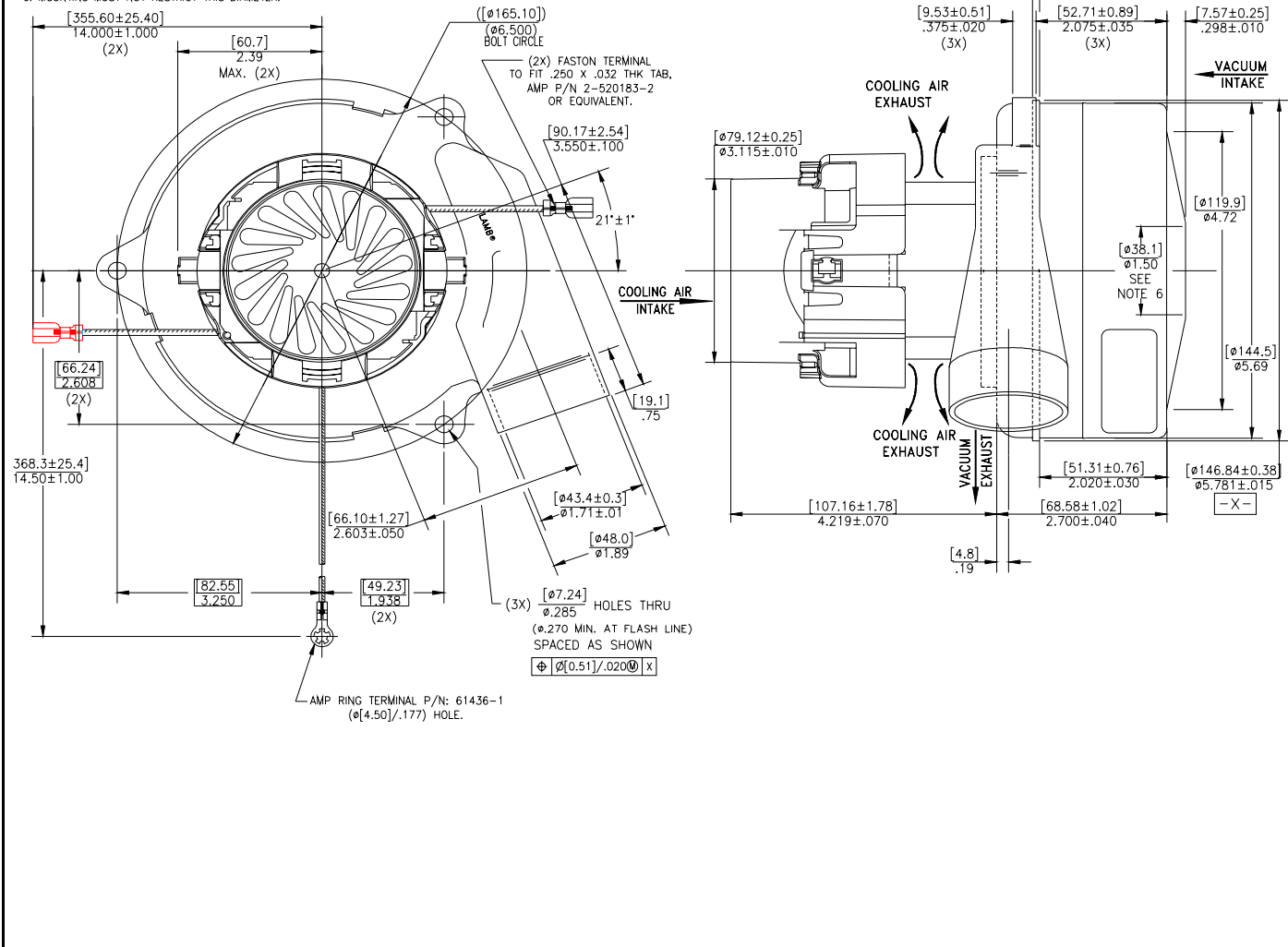
* Data represents performance of a typical motor sampled from a large production quantity. Individual motor data may vary to normal manufacturing variations.

Test Specs:	230 volt	Minimum Sealed Vacuum: 76	130.0	ORIFICE: 7/8"	Minimum Vacuum: 52"	Maximum Watts: 1665
--------------------	-----------------	----------------------------------	--------------	----------------------	----------------------------	----------------------------

DIMENSIONS

NOTES:

1. POWER LEADS: 18GA STRANDED, LEADS CAN BE ANY COLOR EXCEPT GREEN OR GREEN WITH YELLOW STRIPE. GROUND LEAD: 18GA STRANDED, GREEN OR GREEN WITH YELLOW STRIPE.
2. MOTOR IDENTIFICATION: MANUFACTURER'S NAME, MODEL NUMBER, VOLTAGE, FREQUENCY, INSPECTORS CODE WITH "FF" SUFFIX, DATE OF MANUFACTURE, AGENCY RECOGNITION CODE, PLANT LOCATION CODE, PATENT INFORMATION "ONE OR MORE OF THE FOLLOWING PATENTS APPLY TO THIS MOTOR: 5482378; 5736805; 4669952; 4684835; 6561772". AND COUNTRY OF ORIGIN.
3. ALLOW (0.0016 SQ IN)/2.5 SQ IN. MIN. FOR COOLING AIR INTAKE.
4. COOLING AIR INTAKE MUST BE SEPARATED FROM COOLING AIR EXHAUST.
5. VACUUM EXHAUST MUST BE SEPARATED FROM COOLING AIR EXHAUST.
6. MOUNTING MUST NOT RESTRICT THIS DIAMETER.



IMPORTANT NOTE: Pictorial and dimensional data are subject to change without notice. Contact factory for current revision levels.

WARNING - When using AMETEK/Lamb Electric bypass motors in machines that come in contact with foam, liquid (including water) or other foreign substances, the machine must be designed and constructed to prevent those substances from reaching the fan system, motor housing and electrical components. Lamb vacuum motors other than hazardous duty models should not be applied in machines that come in contact with dry chemicals or other volatile materials. Failure to observe these precautions could cause flashing (depending on volatility) or electrical shock which could result in property damage and severe bodily injury, including death in extreme cases. All applications incorporating Lamb motors should be submitted to appropriate organizations or agencies for testing specifically related to the safety of your equipment.

AMETEK/Floorcare and Specialty Motors
627 Lake Street
Kent, Ohio 44240
U.S.A.
Tel: (330) 673-3451 Fax: (330) 677-3812
www.lambelectric.com