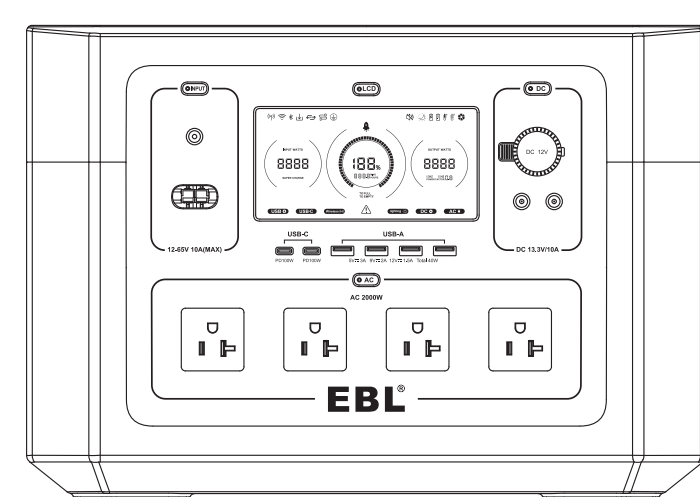


PS-CL036C182US

USER MANUAL

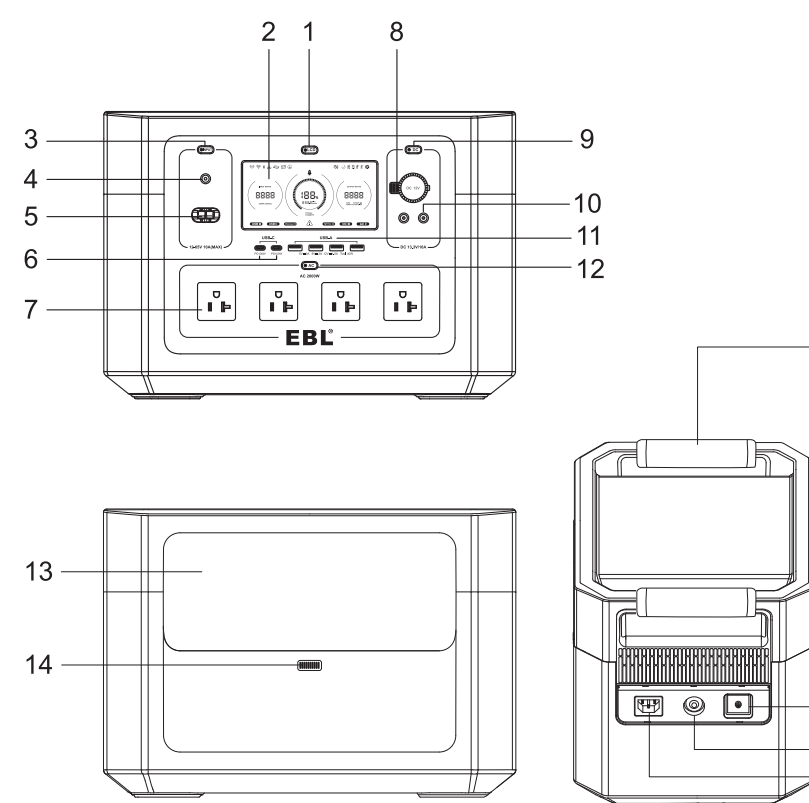


Thank you for purchasing PS-CL036C182US portable power station. To make sure your personal safety, property security and user experience, please read this manual carefully before operating and retain it for future reference.

CHARGE FIRST!

Before using your new Power Station PS-CL036C182US, plug it into a suitable power outlet until it is fully charged. Highly recommend charging 2000W Power Station When battery indicates less than 20%. Then you can start your exciting journey with it.

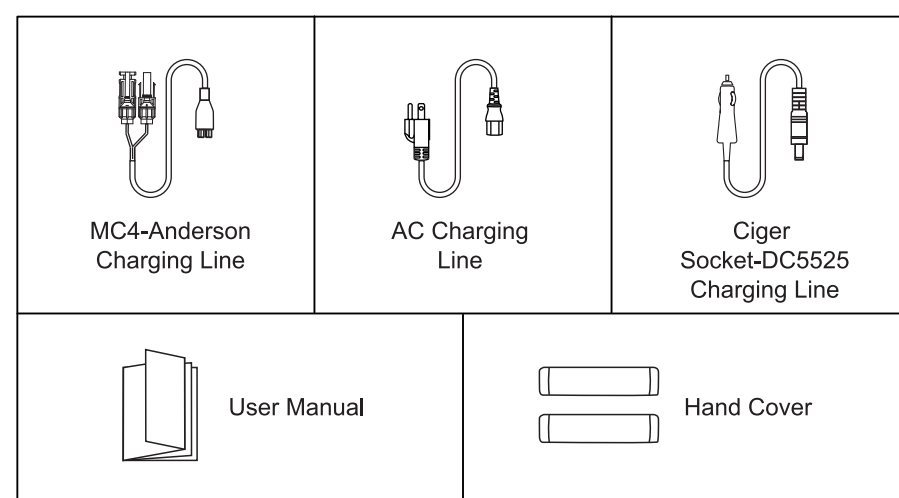
Feature Details



- 1. LCD Screen Button
2. LCD Screen
3. DC Input Indicator
4. 12-65V DC Input
5. Anderson Input
6. USB-C Output Ports
7. AC Output Ports
8. DC Car Charger Output
9. DC Output Button
10. DC Output Ports
11. USB-A Output Ports
12. AC Output Button
13. Floodlight
14. Floodlight Button
15. Handle Cover
16. Power Earth
17. Reset Switch
18. AC Input Ports

Note: No user-serviceable parts inside. Recommend to fully charge the PS-CL036C182US before use.

Accessory List



Recommend to use 100W/200W/300W/400W solar panel (not included).

Function Buttons

- LCD Button: Press the LCD button to check the battery level. To turn on/off the LCD display, just press the LCD button.
DC Button: Open - press the DC button, the DC output indicator light will be on, the LCD screen will be opened. Close - press the DC button.
AC Button: Open - press the AC button, the AC output indicator light will be on, the LCD screen will be opened. Close - press the AC button.
Floodlight Button: Mode 1: Bright Light Mode (first press) - Bright Light Mode (second press) - Low light Mode (third press) - Off (fourth press). Mode 2: Flashing (SOS mode (press twice continuously)) - Off (then press once)

Troubleshooting Guide

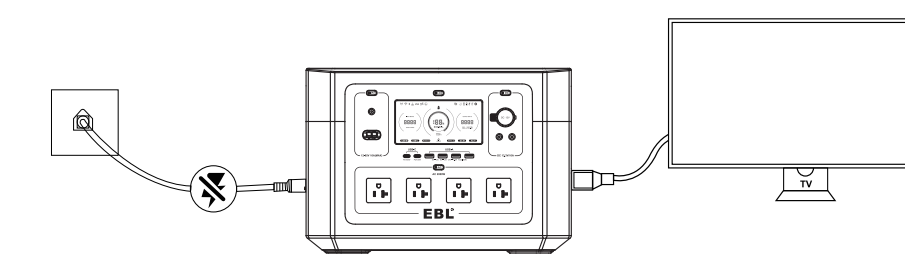
If the power station cannot charge or power devices, please check the following steps:
1. Make sure the appropriate DC or AC output is turned on and that the LED buttons are green.
2. Check the battery capacity. If it is lower than 5%, please recharge the power station.
3. Make sure the power consumption does not exceed the rated power of the port.
4. If an error is observed, refer to the following Chart.
5. Do not operate the power station outside the allowable operating temperature. (0-40°C / 32-100°F)

Table with 2 columns: Symbol and Description. Symbols include USB-C, Floodlight, Fan, USB-A, DC, AC, Low battery, Energy-saving, and Ground symbols.

Table with 2 columns: Symbol and Description. Symbols include AC, Overload, Input Overvoltage, Low temperature, High temperature, System, Mute, UPS, and Ground symbols.

UPS Mode

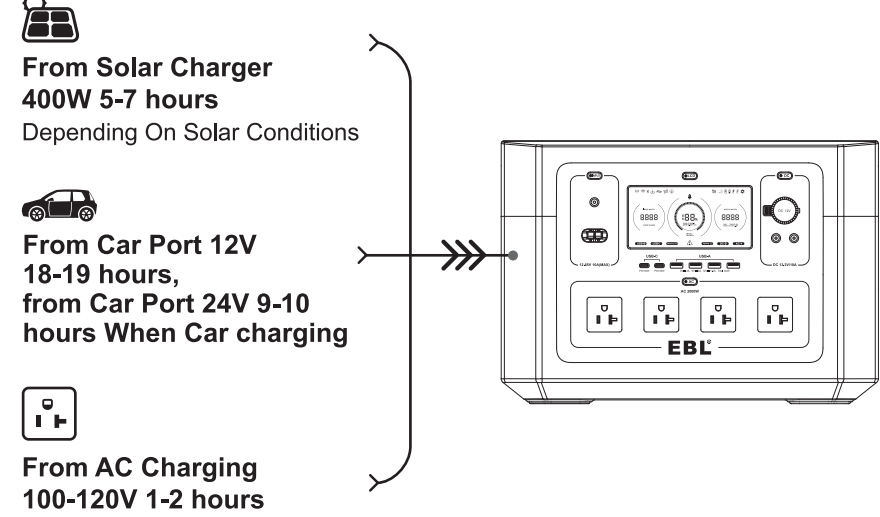
UPS Function: This product has the bypass mode, does not need to pass through the battery, can directly output from the AC.
UPS Connections: As shown in the figure below, connect the product between the socket on the wall and the electrical appliances, and the power of the product is in the ON state.
In this state, when the power grid is cut off, it will automatically switch to the product's internal battery to supply power.



General Specifications

Table with 2 columns: Category and Specification. Categories include General Specs, Input, Output, and Battery.

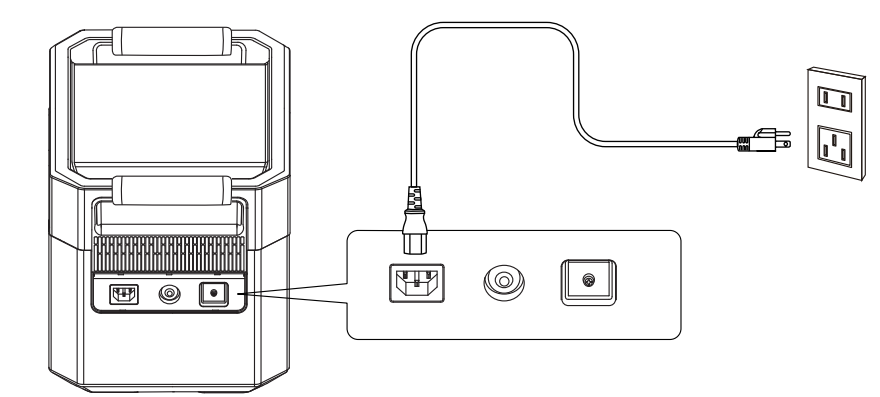
How To Charge



It is recommended to fully charge PS-CL036C182US every 3 months to maintain the health of the battery pack.

AC Charging

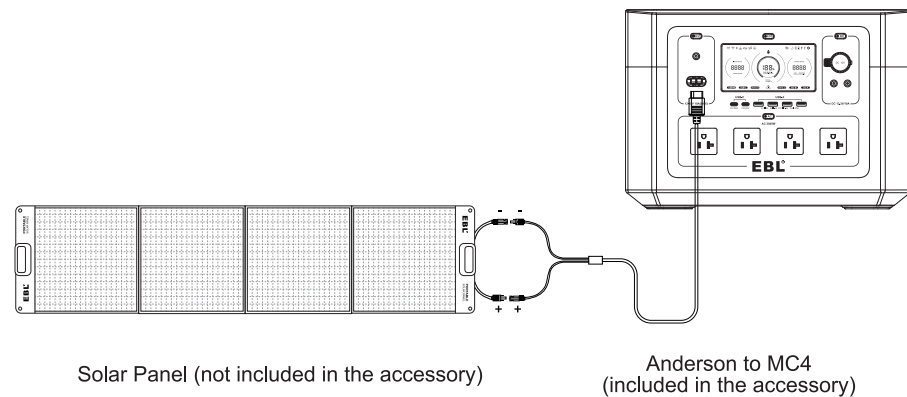
It will take 1-2 hours to charge fully by using the we provided.



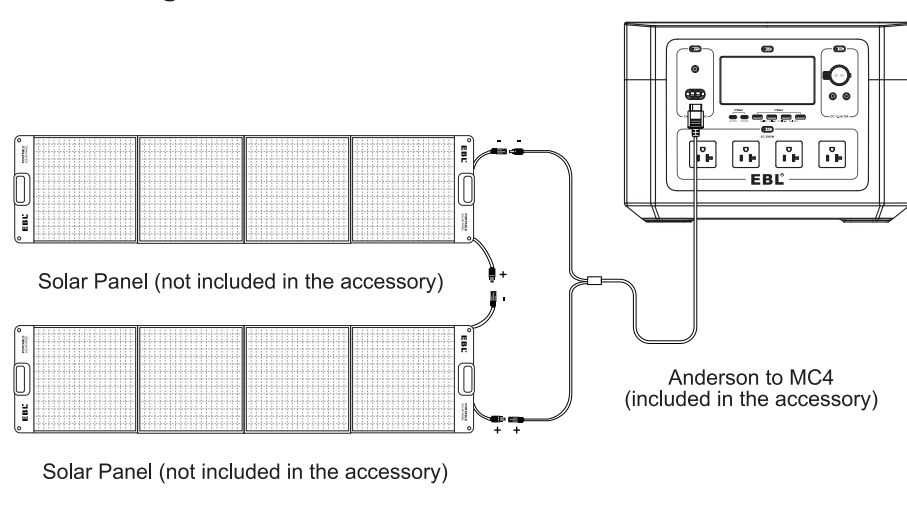
Solar Panel Charging

- DO NOT charge the unit via solar panel that operate voltage exceeding 65V.
Place Solar Panels in direct sunlight as much as possible.
Support 650Max solar input(solar panel not included); the charging time depends on the solar light intensity. If the solar panels produce 400 watts of the power then it can be fully charged within 5 hours.

Connecting Pattern 1

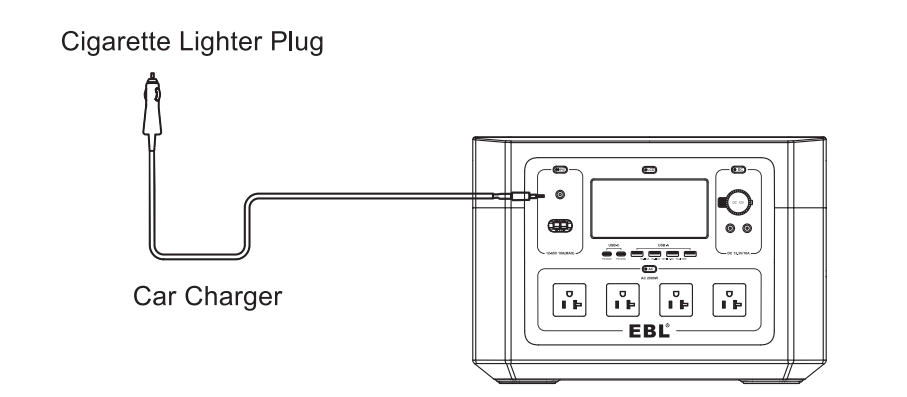


Connecting Pattern 2



12V Car Charger Charging

Use the 12V Car Charger we provided to charge this unit. The full charge time takes 18-19 hours. Use the 24V car charger, the full charge time takes 9-10 hours. When the LCD display shows the battery power of 100%, it indicates that this unit is fully charged.



Safety Instructions

Read the following instructions to ensure safety before using. Improper use may result in fire, property damage or personal injury.

Product Use:

- Never install or remove a battery from the unit when it is turned on.
Never disassemble or pierce the product in any way.
DO NOT use the product if it was involved in a crash or a heavy bump.
If the product falls into the water during use, take the product out immediately and put it in a safe and open area.
Do Not allow pins, wires or other metal pieces to insert to the device case, outlets or controls.
Avoid collision.
Use and store the unit only in a clean and dry environment.
If there is dirt on any plug or outlet surface, use a dry cloth to clean it.
DO NOT put the machine in a microwave oven or in a pressurized container.

Product Recharging:

- DO NOT charge the unit via power supply systems that operate outside of AC 100-125V.
DO NOT charge the unit via solar panel that operate voltage exceeding 65V.
Always use approved attachment charging cables.
When charging, please place the product on the ground with no flammable or combustible materials around.
DO NOT charge a product immediately after a long heavy load, because the product's temperature may be too high.
Only charge, use the unit within an ambient temperature of 0 to 40°C (32-104°F).

Product Maintenance:

- Never store the product in environments below -20°C or above 45°C.
Battery life may be reduced if not used for a long time.
Fully charge and discharge the battery at least once every 3 months to maintain battery health.

Cleaning

Be sure that PS-CL036C182US is disconnected from all input power sources and output devices. Use a clean, dry, soft-lint-free cloth to wipe down it. Remove any debris, dirt, or other blockages on both side vents. When cleaning debris from the side vents, do not allow the debris, dirt, or other blockages to enter the body of PS-CL036C182US.

- DO NOT use abrasive cleaners or solvents.
DO NOT use compressed air to clean side cooling vents, as this will force foreign particles into the internal circuitry.
To avoid the risk of electrical shock, DO NOT use metal objects to cleanports.

Product Storage and Transportation:

- Keep the product out of the reach of children.
If a low-battery warning appears, charge the battery before store it.
Store the product in dry environments.
Make sure no small metal objects can fall on or around the product while in storage.
Never transport a product by air when battery power level higher than 30%.

Storage

If storing for more than 1 month, charge completely before storage and recharge approximately every 3 months to avoid full discharge and possible damage. Store indoors, in cool temperatures, mild humidity, and away from direct sunlight.

Temperatures can lead to decreased service life, overheating, and fire. Extreme cold conditions below specific storage range can also harm PS-CL036C182US performance and service life. Keep away from corrosion chemicals and gases. After taking out of storage, visually inspect to make sure PS-CL036C182US and all accessories look satisfactory.

Attention

Transportation: PS-CL036C182US complies with all legal requirements for transport of dangerous goods. The capacity of the lithium battery pack exceeds 100Wh. Based on international standards, if PS-CL036C182US is transported by airplane, it must be transported in accordance with IATA standard packaging.

Table with 2 columns: Symbol and Description. Symbols include Not Permitted on Aircrafts, Avoid Dropping, To Preserve the Battery Lifespans, Use Original or Certified Charger and Cables, Avoid Extreme Temperature, and Please Dispose of Batteries.

UL Note

A photovoltaic panel as input for charging the internal battery shall be provided with an inverter and/or a charge controller in accordance with UL 1741 or UL 62109-1. The external power supply shall be a power source in accordance with the Standard UL 60950-1 and CAN/CSA C22.2 No. 60950-1, or UL 1310 and No. 1, CAN/CSA C22.2 No. 223, or No. 1, CAN/CSA C22.2 No. 223; A vehicle adapter that complies with the enclosure and input contacts requirements in the Standard for Vehicle Battery Adapters, UL 2089, and Power Supplies, CAN/CSA C22.2 No. 107.1. The connector plug shall incorporate a fuse or other protective device having a current rating not greater than 15 A.

rather than the cord when disconnecting the power pack.
Do not use a battery pack or appliance that is damaged or modified.
Damaged or modified batteries may exhibit unpredictable behavior resulting in fire, explosion, or risk of injury.
Do not disassemble the power pack with a damaged cord or plug, or a damaged output cable.
To reduce the risk of electric shock, unplug the power pack from the outlet before attempting any instructed servicing.
WARNING - RISK OF EXPLOSIVE GASES.
To reduce the risk of battery explosion, follow these instructions and those published by the battery manufacturer and manufacturer of any equipment you intend to use in the vicinity of the battery.
PERSONAL PRECAUTIONS
1) Have plenty of fresh water and soap nearby in case battery acid contacts skin, clothing, or eyes.
2) Wear complete eye protection and clothing protection.
3) If battery acid contacts skin or clothing, wash immediately with soap and water.
4) NEVER smoke or allow a spark or flame in the vicinity of the battery or engine.
5) Be extra cautious to reduce the risk of dropping a metal tool onto the battery.
6) Under abusive conditions, liquid may be ejected from the battery, avoid contact.
7) When charging the internal battery, work in a well-ventilated area and do not restrict ventilation in any way.
8) Under abusive conditions, liquid may be ejected from the battery, avoid contact.
9) If liquid contacts eyes, additionally seek medical help.
10) Do not expose a power pack to fire or excessive temperature.
11) Do not expose the power pack to fire or temperature above 130°C.
12) Have servicing performed by a qualified repair person using only identical replacement parts.

Maintenance

Recharge as needed. There are no pre-designated intervals at which to recharge as long as the PS-CL036C182US is being used regularly. Avoid discharging completely on a regular basis, as this can impact overall life. Regularly inspect all ports and wall charger for any debris, dirt, damage and corrosion. DO NOT attempt to fix. DO NOT cover the PS-CL036C182US with towels, clothing or other items. Regularly observe if the side vents are collecting dirt or dust, and clean following cleaning procedures noted in manual.

Disposal/recycle

Do not place equipment and its accessories in the trash. Items must be properly disposed of in accordance with local regulations. See www.epa.gov for additional information.

Statement

Copyright EBL. All rights reserved. All trademarks cited herein are the property of their respective owners.

Limited Warranty

We warrant to the original consumer purchaser that our product will be free from defects in workmanship and material under normal consumer use during applicable warranty period identified in the "Warranty Period" section below, subject to the exclusion set forth below. This warranty statement sets forth our total and exclusive warranty obligation. We will not assume, nor authorize any person to assume for us, any other liability in connection with the sale of our products.

Warranty Period

The warranty period is 12 months. In each case, the warranty period is measured starting on the date of purchase by the original consumer purchaser. The sales receipt from the first consumer purchase, or other reasonable documentary proof, is required in order to establish the start date of the warranty period.

Remedy

We will repair or replace any our products that fails to operate during the applicable warranty period due to defect in workmanship or material. If a valid claim is made during the applicable period. We, at its option, will either replace the product. A replacement product assumes the remaining warranty of the original product or ninety (90) days from the date of replacement, whichever is greater. Customer is responsible for the return shipping costs.

Limited To Original Consumer Buyer

The warranty on ours product is limited to the original consumer purchaser and to any subsequent owner.

Exclusions

Our warranty does not apply to (1) any product that is damaged caused by fire, earthquake, use by a third party, other accidents, intentional misconduct on the part of the customer, abuse or other abnormal conditions, or used for anything other than normal consumer use as authorized in EBL's current product literature, or (2) any product purchased through an online auction house. Ours warranty does not apply to the battery cell unless the battery cell is fully charged by you within 7 days after you purchase the product at least every months thereafter.

How To Receive Service

To obtain warranty service, contact our customer service team at service@blmail.com