



International Residential Code (IRC)

This product may not be suitable for residential building code applications in your area. Do not use this product for residential guard rails unless you have it approved by local authorities. Download and read the engineering report carefully. Engineering reports provide guidance only and complying with them does not necessarily mean your structure will be code compliant. They are based on the specific assembly tested for each report. Some areas do not permit any end post attachment means. Any variation from the assemblies and manner of testing stated in our engineering reports is outside of the scope of the report.

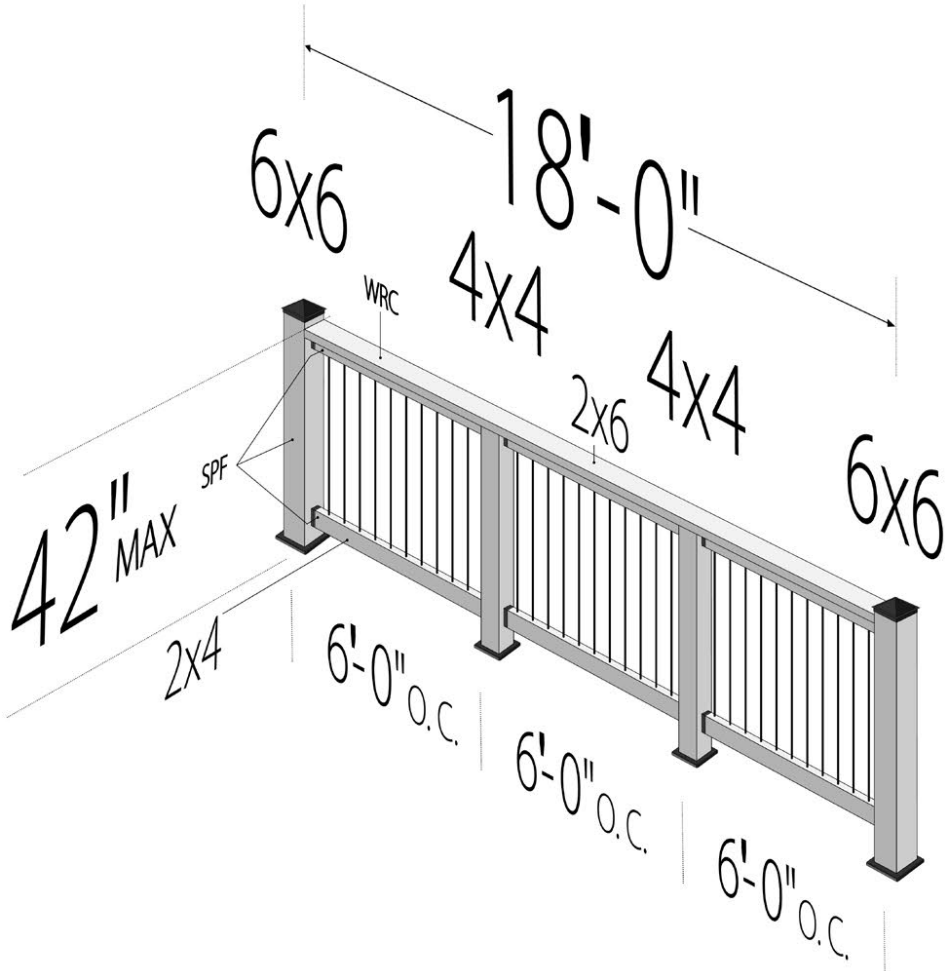
REPORT NO **103643197TOR-005** REPORT NAME **Post Anchor 6x6 & 4x4-6'x42"H Continuous Cap Rail USA**
<https://titanbp.com/resources/engineering-reports-new/>

ENGINEERING
REPORTS FOR
APPLICATION
SUITABILITY



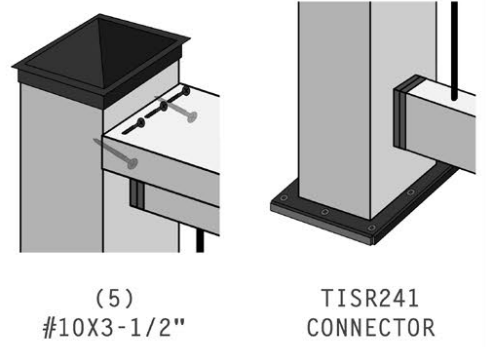
AC 273 2017

1. 6X6 WITH 4X4, 42" HIGH, 6'-0" O.C.

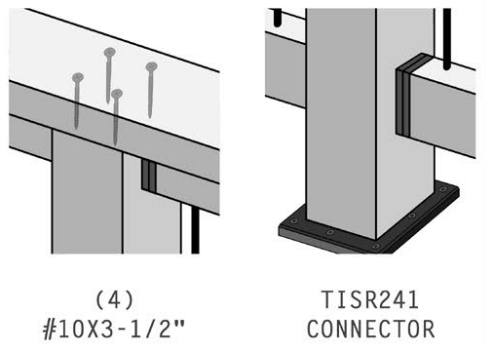


SPF - SPRUCE / PINE / FIR

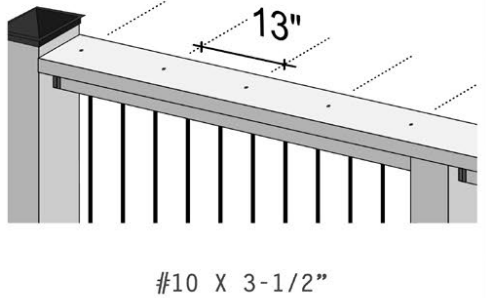
2. TOP / BOTTOM / END POST TO RAIL



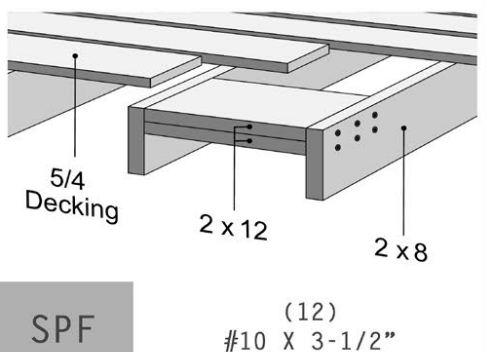
3. TOP / BOTTOM / LINE POST TO RAIL



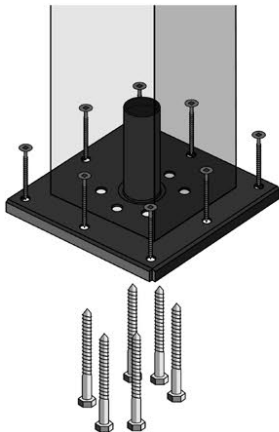
4. CAP RAIL SCREW PATTERN



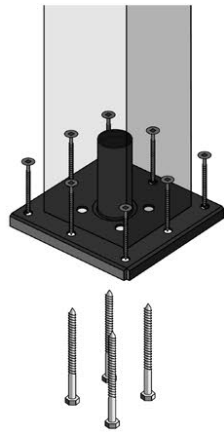
5. BLOCKING



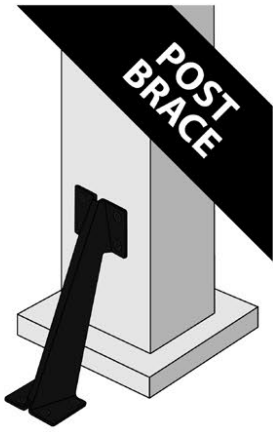
6. 6X6 POST ANCHOR



7. 4X4 POST ANCHOR



OPTIONAL



NOT USED IN TEST
BUT AVAILABLE



All tests results are based on lab tests. Specific job site conditions should be taken into consideration when building with this product. Because applications and site conditions vary, we assume no liability for use of this information.

REV: 04/12/24

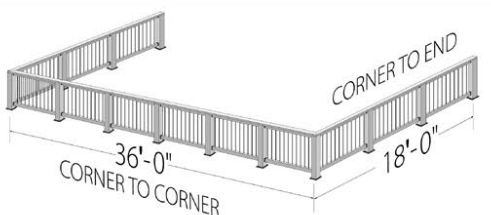
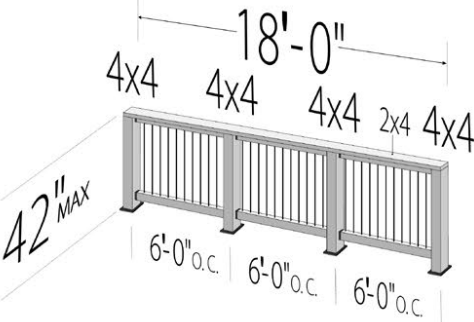
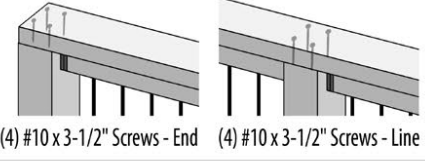
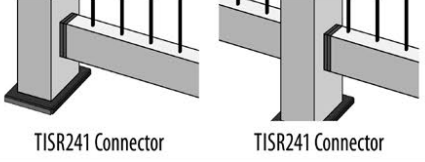
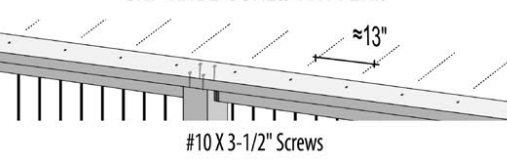
National Building Code of Canada (NBC)


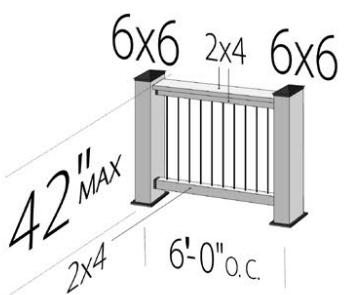
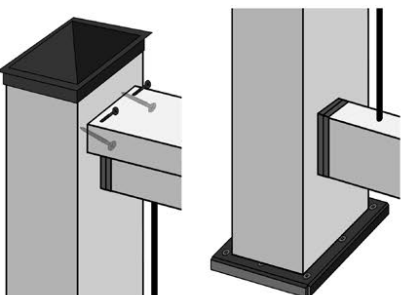

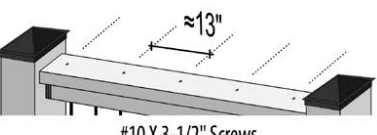
This product may not be suitable for residential building code applications in your area. Do not use this product for residential guard rails unless you have it approved by local authorities. Download and read the engineering report carefully. Engineering reports provide guidance only and complying with them does not necessarily mean your structure will be code compliant. They are based on the specific assembly tested for each report. Some areas do not permit any end post attachment means. Any variation from the assemblies and manner of testing stated in our engineering reports is outside of the scope of the report.


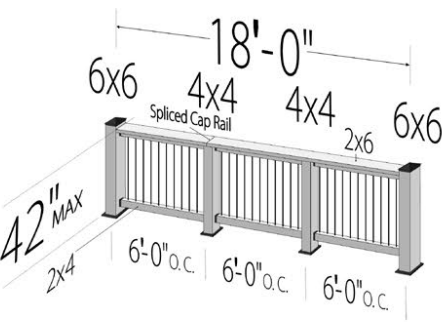
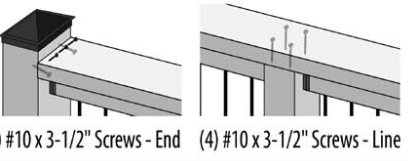
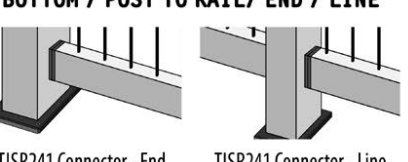
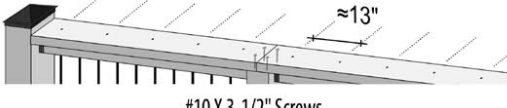
<https://titanbp.com/resources/engineering-reports-new/>


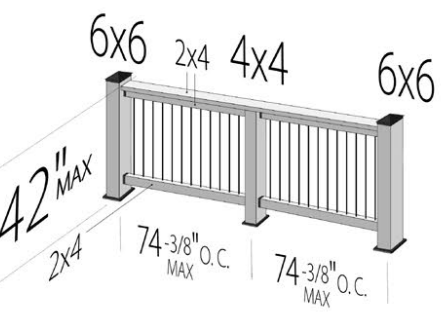
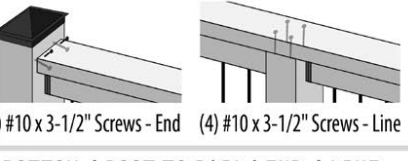
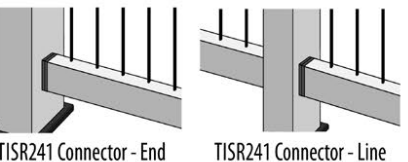
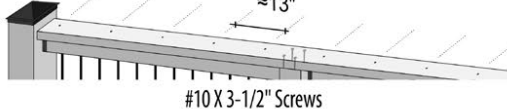
ENGINEERING REPORTS FOR APPLICATION SUITABILITY



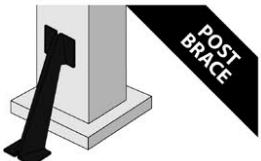
REPORT NO ▶ 103914490TOR-003	REPORT NAME ▶ Post Anchor 4x4 - 6' x 42" H CAN	
4X4, 42" HIGH, 6'-0" MAX, O.C.	TOP / POST TO RAIL/ END / LINE	
		CORNER TO CORNER 36'-0" CORNER TO END 18'-0"
SPF - Spruce / Pine / Fir	BOTTOM / POST TO RAIL / END / LINE	CAP RAIL SCREW PATTERN
		
	TISR241 Connector TISR241 Connector	≈13" #10 X 3-1/2" Screws

REPORT NO ▶ 100604363TOR-004C	REPORT NAME ▶ Post Anchor 6x6 - 6' X 42" H CAN	
6X6, 42" HIGH, 6'-0" O.C.	TOP / BOTTOM / END POST TO RAIL	
		ENDLESS ENDLESS
SPF - Spruce / Pine / Fir	BOTTOM / POST TO RAIL / END / LINE	CAP RAIL SCREW PATTERN
		
	(4) #10 x 3-1/2" Screws - End TISR241 Connector - End	≈13" #10 X 3-1/2" Screws

REPORT NO ▶ 1103645361TOR-003	REPORT NAME ▶ Post Anchor 6x6-4x4 - 6' x 42" H Spliced Cap Rail SPF	
6X6 WITH 4X4, 42" HIGH, 6'-0" O.C.	TOP / POST TO RAIL/ END / LINE	
		ENDLESS ENDLESS
SPF - Spruce / Pine / Fir	BOTTOM / POST TO RAIL / END / LINE	CAP RAIL SCREW PATTERN
		
	TISR241 Connector - End TISR241 Connector - Line	≈13" #10 X 3-1/2" Screws

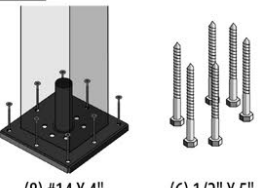
REPORT NO ▶ 100390597TOR-003B	REPORT NAME ▶ Post Anchor 6x6-4x4 - 6' x 42" H Continuous Cap Rail Cedar	
6X6 WITH 4X4, 42" HIGH, 74-3/8" MAX, O.C.	TOP / POST TO RAIL/ END / LINE	
		ENDLESS ENDLESS
WRC - Western Red Cedar	BOTTOM / POST TO RAIL / END / LINE	CAP RAIL SCREW PATTERN
		
	TISR241 Connector - End TISR241 Connector - Line	≈13" #10 X 3-1/2" Screws

OPTIONAL



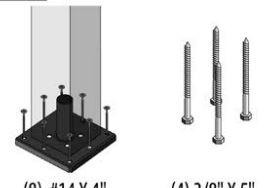
Not used in test but available

6X6 POST ANCHOR



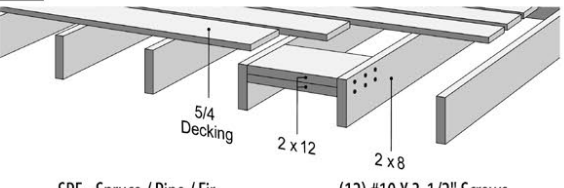
(8) #14 X 4" (6) 1/2" X 5"

4X4 POST ANCHOR



(8) #14 X 4" (4) 3/8" X 5"

BLOCKING



5/4 Decking 2 x 12 2 x 8

SPF - Spruce / Pine / Fir (12) #10 X 3-1/2" Screws

 All tests results are based on lab tests. Specific job site conditions should be taken into consideration when building with this product. Because applications and site conditions vary, we assume no liability for use of this information.

REV: 04/09/24