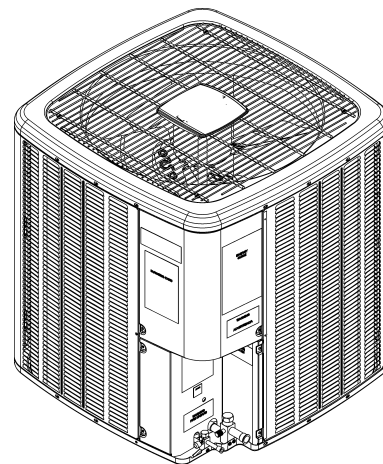

GSZH Remote Heat Pump

GSZH501810AA
GSZH502410AA
GSZH503010AA
GSZH503610AA
GSZH504210AA
GSZH504810AA
GSZH506010AA



This manual is to be used by qualified technicians only.

© 2022 Goodman Manufacturing Company, L.P. ♦ 5151 San Felipe St, Suite 500 ♦ Houston, TX 77056

Important Information

Index

Functional Parts List	3
Illustration and Parts	4 - 9

Views shown are for parts illustrations only, not servicing procedures.

Text Codes:

AR - As Required

NA - Not Available

NS - Not Shown

00000000 - See Note

QTY - Quantity Example (QTY 3) (If Quantity not shown, Quantity = 1)

M - Model Example (M1) (If M Code not shown, then part is used on all Models)

Expanded Model Nomenclature:

Example M1 - Model#1 M2 - Model#2 M3 - Model#3

Goodman Manufacturing Company, L.P. is not responsible for personal injury or property damage resulting from improper service. Review all service information before beginning repairs.

Warranty service must be performed by an authorized technician, using authorized factory parts. If service is required after the warranty expires, Goodman Manufacturing Company, L.P. also recommends contacting an authorized technician and using authorized factory parts.

Goodman Manufacturing Company, L.P. reserves the right to discontinue, or change at any time, specifications or designs without notice or without incurring obligations.

For assistance within the U.S.A. contact:
Homeowner Support
Goodman Manufacturing Company, L.P.
19001 Kermier Road
Waller, Texas 77484
877-254-4729-Telephone
713-863-2382-Facsimile

For assistance outside the U.S.A. contact:
International Division
Goodman Manufacturing Company, L.P.
19001 Kermier Road
Waller, Texas 77484
713-861-2500-Telephone
713-863-2382-Facsimile

Functional Parts

Part No: **Description:**

0151R00231	ADJUSTABLE VALVE, TXV R410A (M7)
0151R00213	ADJUSTABLE VALVE, TXV R410A (M1)
0151R00214	ADJUSTABLE VALVE, TXV R410A (M2)
0151R00215	ADJUSTABLE VALVE, TXV R410A (M3)
0151R00216	ADJUSTABLE VALVE, TXV R410A (M4)
0151R00230	ADJUSTABLE VALVE, TXV R410A (M6)
0151R00217	ADJUSTABLE VALVE, TXV R410A (M5)
0151R00185	BASE VALVE 3/4" (M1, M2, M3)
0151R00187	BASE VALVE 3/8"
0151R00186	BASE VALVE 7/8" (M4, M5, M6, M7)
CAP050350440CS	CAP, 5/35 MFD/440V/DUAL RD (M1, M2, M3)
CAB050400440CT	CAP, 5/40 MFD/440V RD - BPRF (M4, M6, M7)
CAB050450440CT	CAP, 5/45 MFD/440V RD - BPRF (M5)
ZPS51K7EPFV130	COMP 49000,208/230/60/1 (M7)
ZP31K7EPFV130	COMP, 208/230/60/1 (M4)
ZP25K7EPFV130	COMP, 208/230/60/1 (M3)
ZP40K7EPFV130	COMP, 40000,208/230/60/1 (M6)
ZP34K7EPFV130	COMP, 40000,208/230/60/1 (M5)
ZP14K7EPFV130	COMPRESSOR, 1.5 TON (M1)
ZP20K7EPFV130	COMPRESSOR, 2 TON (M2)
CONT1P030024V	CONT, 1 POLE, 30 AMP, 24 VAC (M1, M2, M3, M4, M5, M6)
CONT2P040024V	CONT, 2 POLE, 40 AMP, 24 VAC (M7)
0130M00250	CONTROL, DEFROST (M6, M7)
0130M00723	CONTROL, DEFROST (M1, M2, M3, M4, M5)
0130M00106	DISC THERMOSTAT CRNKCS HTR SW
11046710	DISC-THERMOSTAT (M4)
0130M00349	DISC-THERMOSTAT (M1, M2, M3, M5, M6, M7)
0150M00008	FAN BLADE, 22" TNT2203-25 (M1)
0150M00066	FAN BLADE, 26" (M2, M3, M4, M5, M6, M7)
0163R00007	HEATER, CRANKCASE 230V, 40W (M5, M6, M7)
0163R00006	HEATER, CRANKCASE 230V, 40W (M1, M2, M3, M4)
0131M00807	MOTOR, 1/4HP,1SP,8PL,AL (M5, M6)
0131M00866	MOTOR, 1/5 HP, 2SP, 8PL (M7)
0131M00753	MOTOR, 1/6HP, 1SP, 8PL, AL (M1)
0131M00945	MOTOR, 1/6HP, 8PL (M2, M3)
0131M00953	MOTOR, OD, ECM,1/3 HP (M4)
PCBDM133	PCB, DEFROST CONTROL
10135604	RELAY (M7)
0151R00068	REVERSING VALVE (M1, M2, M3)
0151R00071	REVERSING VALVE (M4, M5, M6, M7)
B1225022	SOLENOID COIL
0130M00734	SW-CUTOUT HI PRESS (M4)
0130M00089	SW-CUTOUT HI PRESS (M1, M2, M3, M5, M6, M7)
0130M00088	SW-CUTOUT LOW PRESS

Expanded Model Nomenclature

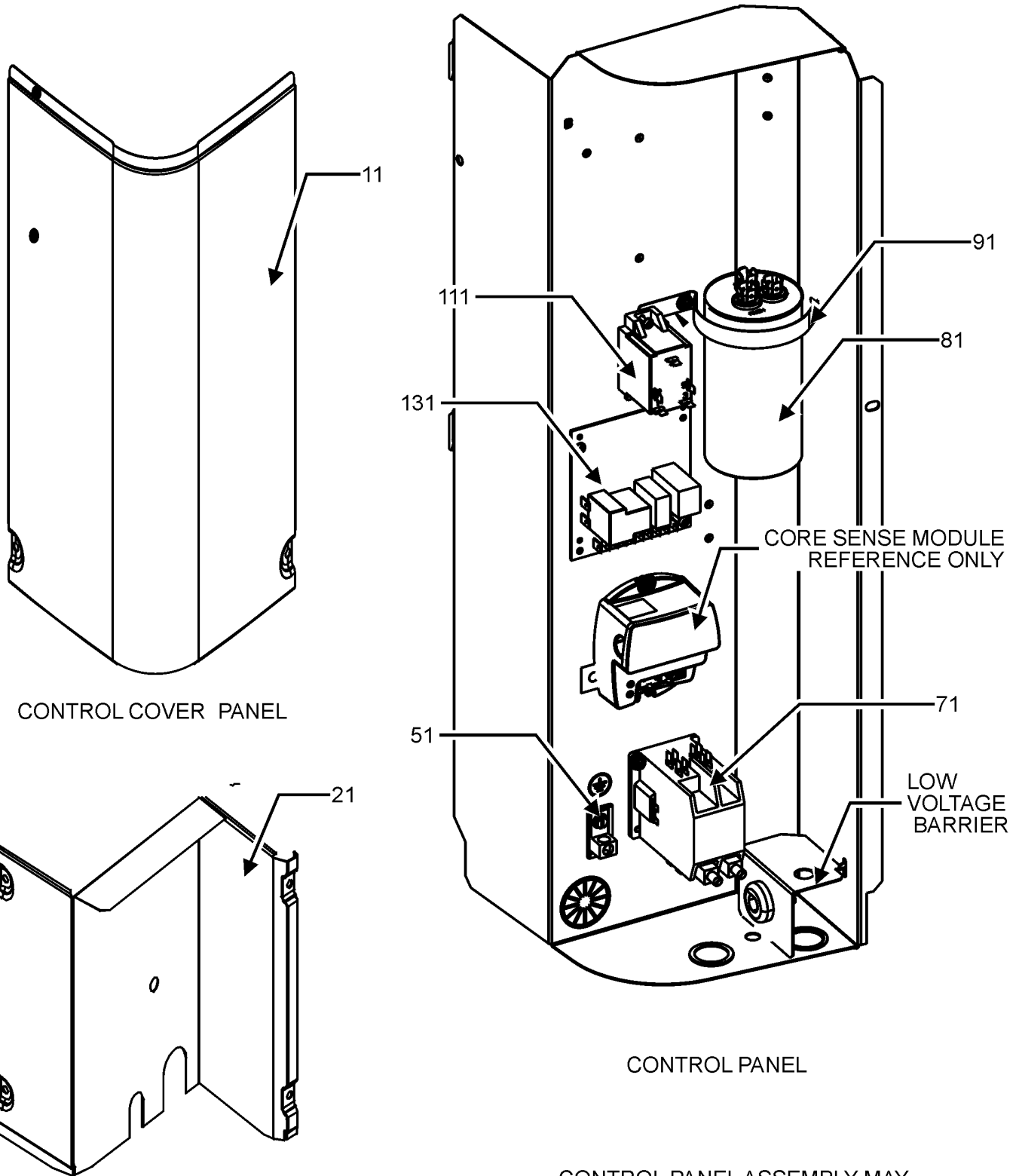
M1 - GSZH501810AA
M2 - GSZH502410AA
M3 - GSZH503010AA
M4 - GSZH503610AA
M5 - GSZH504210AA
M6 - GSZH504810AA
M7 - GSZH506010AA

SPECIAL PARTS

0161R00092	NAMEPLATE, GOODMAN
------------	--------------------

Control Panel Assembly

CONTROL PANEL ASSEMBLY



CONTROL PANEL ASSEMBLY MAY DIFFER FROM WHAT IS SHOWN

Control Panel Assembly

Ref. Part No:	Ref. Part No:	Description:	Description:
---------------	---------------	--------------	--------------

Image 1:

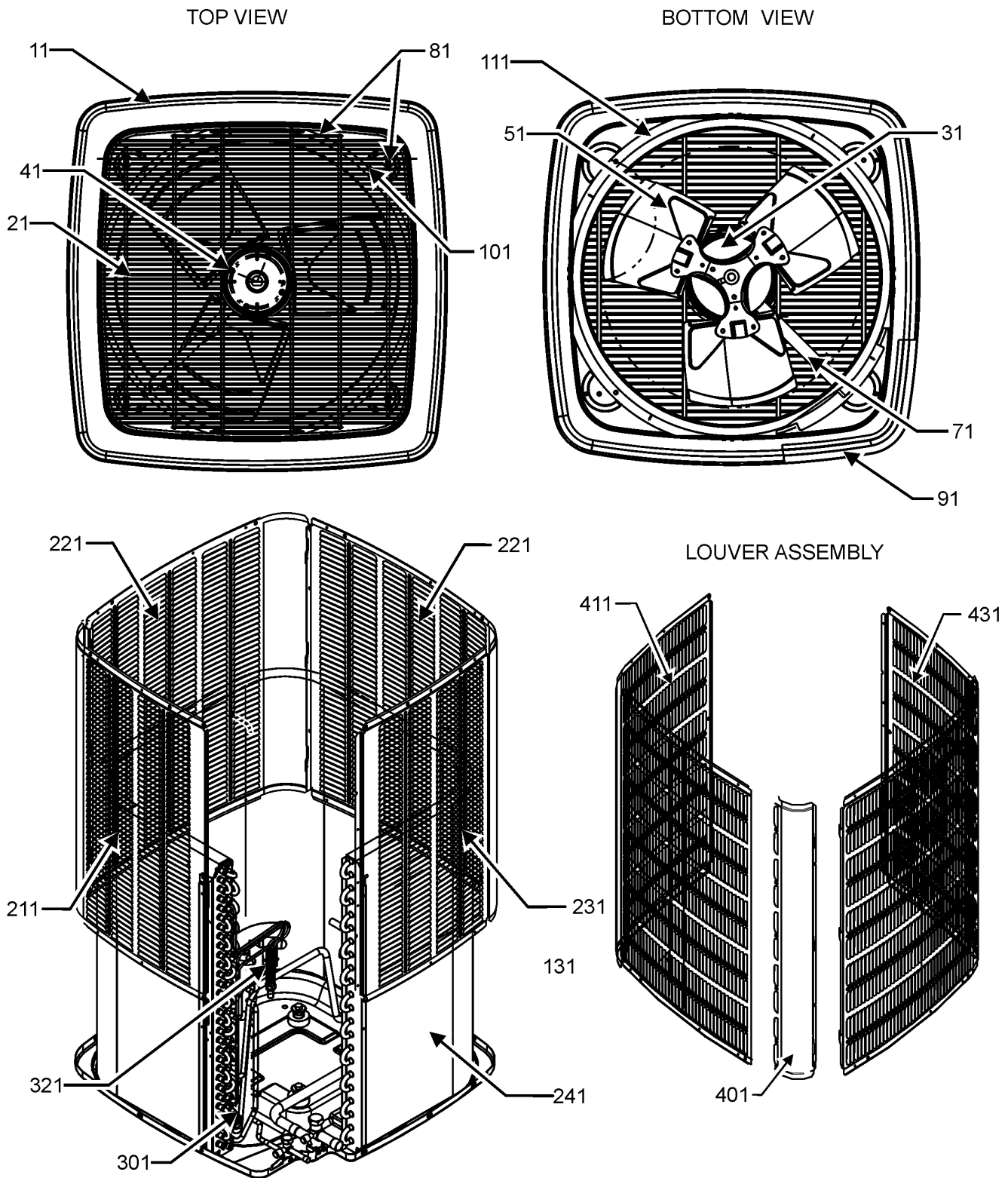
11	0121R00909PDG	PNL, LWR ACCESS (M1, M3, M4)
11	0121R00912PDG	PNL, LWR ACCESS (M2, M5)
11	0121R00917PDG	PNL, LWR ACCESS (M6)
11	0121R00918PDG	PNL, LWR ACCESS (M7)
21	0121R00937PDG	CONTROL COVER (M1, M2, M3, M4, M5, M6)
21	0121R00950PDG	CONTROL COVER, LARGE PNT (M7)
51	B1378533	LUG GROUND SMALL 4T
71	CONT1P030024V	CONT, 1 POLE, 30 AMP, 24 VAC (M1, M2, M3, M4, M5, M6)
71	CONT2P040024V	CONT, 2 POLE, 40 AMP, 24 VAC (M7)
81	CAP050350440CS	CAP, 5/35 MFD/440V/DUAL RD (M1, M2, M3)
81	CAB050400440CT	CAP, 5/40 MFD/440V RD - BPRF (M4, M6, M7)
81	CAB050450440CT	CAP, 5/45 MFD/440V RD - BPRF (M5)
91	4400065	CAPACITOR STRAP
111	10135604	RELAY (M7)
131	PCBDM133	PCB, DEFROST CONTROL
NS	0161R00092	NAMEPLATE, GOODMAN

Expanded Model Nomenclature

- | |
|-------------------|
| M1 - GSZH501810AA |
| M2 - GSZH502410AA |
| M3 - GSZH503010AA |
| M4 - GSZH503610AA |
| M5 - GSZH504210AA |
| M6 - GSZH504810AA |
| M7 - GSZH506010AA |

Top Panel and Louver Assembly

TOP PANEL AND LOUVER ASSEMBLY



TOP PANEL AND LOUVER ASSEMBLY MAY DIFFER FROM WHAT IS SHOWN

Top Panel and Louver Assembly

**Ref. Part
No: No:**

Description:

**Ref. Part
No: No:**

Description:

Image 1:

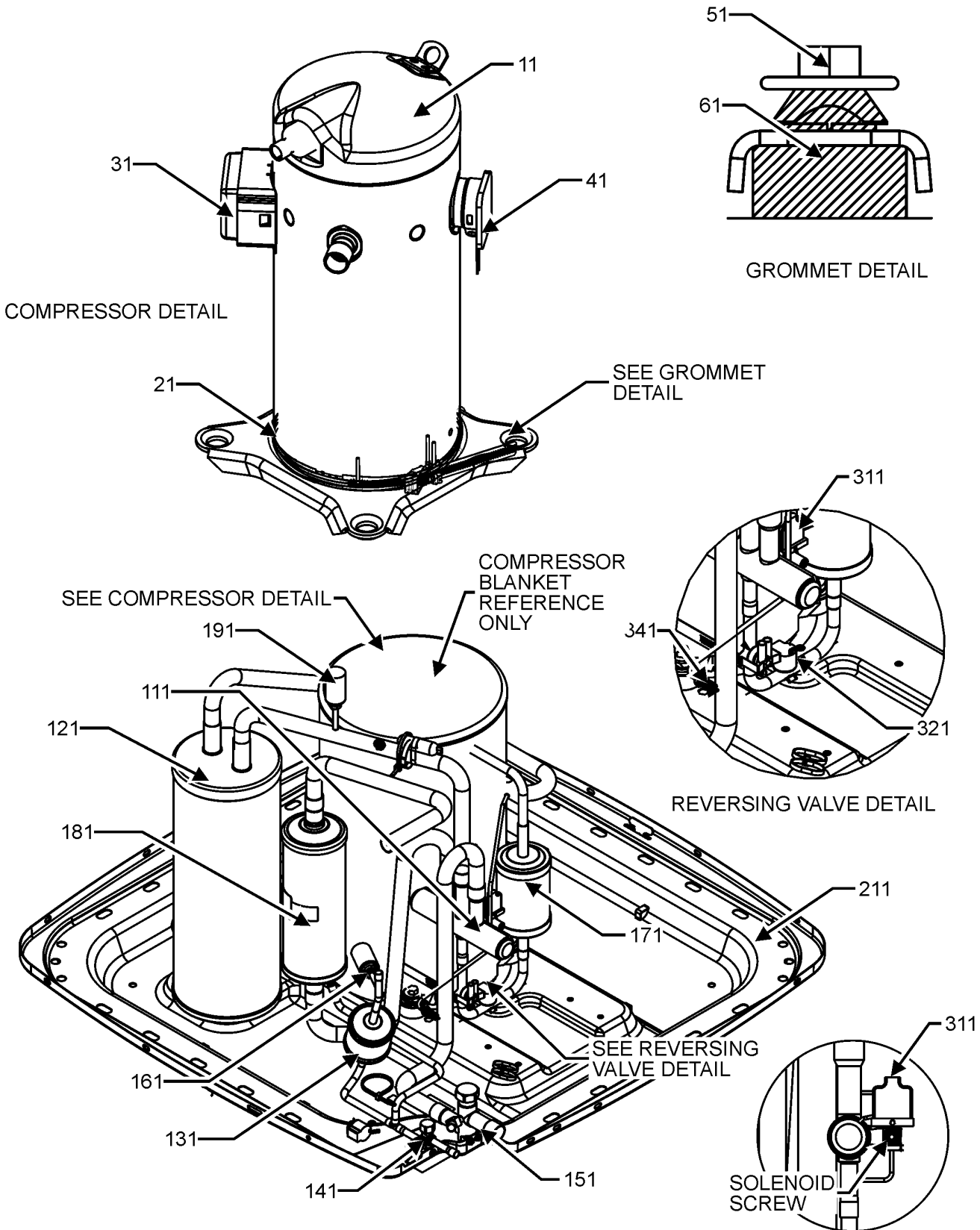
11	0121R00935PDG	PANEL, TOP 29. PNT (M1)
11	0121R00936PDG	TOP PANEL, 35. PNT (M2, M3, M4, M5, M6, M7)
21	0152R00025	29" GRILLE CFS (M1)
21	0152R00026	GRILL, WIRE 35. TOP (M2, M3, M4, M5, M6, M7)
31	0131M00807	MOTOR, 1/4HP,1SP,8PL,AL (M5, M6)
31	0131M00866	MOTOR, 1/5 HP, 2SP, 8PL (M7)
31	0131M00753	MOTOR, 1/6HP, 1SP, 8PL, AL (M1)
31	0131M00945	MOTOR, 1/6HP, 8PL (M2, M3)
31	0131M00953	MOTOR, OD, ECM,1/3 HP (M4)
41	0163M00006P	NUT, ACORN 5/16 HEX BLACK (QTY 4)
51	0150M00008	FAN BLADE, 22" TNT2203-25 (M1)
51	0150M00066	FAN BLADE, 26" (M2, M3, M4, M5, M6, M7)
71	0161R00002P	CONDUIT (M1)
71	0161R00100	CONDUIT (M2, M3, M5, M6, M7)
71	0163M00385	CONDUIT-FLEXIBLE (M4)
81	0163M00003P	SCREW #10 X 1/2, A, SLOT, SR, BLACK (QTY 3)
91	0154R00045	GASKET CONTROL PANEL
101	0163M00004	SCREW #10X3/4" BLK (QTY 4)
111	0161R00104	29" VENTURI CFS (M1)
111	0161R00105	35" VENTURI CFS (M2, M3, M4, M5, M6, M7)
211	0121R00228PDG	PANEL 1, LOUVER 35, 5MM, PNT (M2, M5)
211	0121R00592PDG	PANEL 1, LOUVER 35_34.64 PNT (M6)
211	0121R00593PDG	PANEL 1, LOUVER 35_39.84 PNT (M7)
211	0121R00229PDG	PANEL 1, LOUVER 35,37.8 5MM,PNT (M3, M4)
221	0121R00232PDG	PANEL 2, LOUVER 35 (M3, M4)
221	0121R00231PDG	PANEL 2, LOUVER 35, 5MM, PNT (M2, M5)
221	0121R00594PDG	PANEL 2, LOUVER 35_34.64 PNT (M6)
221	0121R00595PDG	PANEL 2, LOUVER 35_39.84 PNT (M7)
231	0121R00235PDG	PANEL 3, LOUVER 35, 37.8 (M3, M4)
231	0121R00234PDG	PANEL 3, LOUVER 35, 5MM, PNT (M2, M5)
231	0121R00596PDG	PANEL 3, LOUVER 35_34.64 PNT (M6)
231	0121R00597PDG	PANEL 3, LOUVER 35_39.84 PNT (M7)
241	0201R00756	COIL TUBING ASSY (M2)
241	0201R00759	COIL TUBING ASSY (M5)
241	0201R00764	COIL TUBING ASSY (M4)
241	0201R00766	COIL TUBING ASSY (M1)
241	0201R00768	COIL TUBING ASSY (M3)
241	0201R00780	COIL TUBING ASSY (M6)
241	0201R00782	COIL TUBING ASSY (M7)
301	0130M00250	CONTROL, DEFROST (M6, M7)
301	0130M00723	CONTROL, DEFROST (M1, M2, M3, M4, M5)
321	0151R00213	ADJUSTABLE VALVE, TXV R410A (M1)
321	0151R00214	ADJUSTABLE VALVE, TXV R410A (M2)
321	0151R00215	ADJUSTABLE VALVE, TXV R410A (M3)
321	0151R00216	ADJUSTABLE VALVE, TXV R410A (M4)
321	0151R00217	ADJUSTABLE VALVE, TXV R410A (M5)
321	0151R00230	ADJUSTABLE VALVE, TXV R410A (M6)
321	0151R00231	ADJUSTABLE VALVE, TXV R410A (M7)
401	0121R00354PDG	Louver Post, PDG 36.30 (M1)
411	0121R00346PDGLS	Louver Panel, PDG 29"_36.30 (M1)
431	0121R00346PDGRS	Louver Panel, PDG 29"_36.30 (M1)
NS	0163M00005P	WASHER BLACK .50 OD .218ID (QTY 4)

Expanded Model Nomenclature

M1 - GSZH501810AA
M2 - GSZH502410AA
M3 - GSZH503010AA
M4 - GSZH503610AA
M5 - GSZH504210AA
M6 - GSZH504810AA
M7 - GSZH506010AA

Compressor and Tubing Assembly

TUBING ASSEMBLY



TUBING ASSEMBLY MAY DIFFER FROM WHAT IS SHOWN

Compressor and Tubing Assembly

Ref. Part No:	Part No:	Description:	Ref. Part No:	Part No:	Description:
---------------	----------	--------------	---------------	----------	--------------

Image 1:

11	ZPS51K7EPFV130	COMP 49000,208/230/60/1 (M7)			
11	ZP25K7EPFV130	COMP, 208/230/60/1 (M3)			
11	ZP31K7EPFV130	COMP, 208/230/60/1 (M4)			
11	ZP34K7EPFV130	COMP, 40000,208/230/60/1 (M5)			
11	ZP40K7EPFV130	COMP, 40000,208/230/60/1 (M6)			
11	ZP14K7EPFV130	COMPRESSOR, 1.5 TON (M1)			
11	ZP20K7EPFV130	COMPRESSOR, 2 TON (M2)			
21	0163R00006	HEATER, CRANKCASE 230V, 40W (M1, M2, M3, M4)			
21	0163R00007	HEATER, CRANKCASE 230V, 40W (M5, M6, M7)			
31	0159R00021	HARNESS, COMP SCROLL (M2, M3, M4)			
31	0159R00001P	HARNESS, COMP SCROLL 130 42" (M1)			
31	0159R00002P	HARNESS, COMP SCROLL 130 46" (M5, M6, M7)			
41	20468101	CABLE-COMPR SOL (M7)			
51	M0221641	TF SHOULDER SCREW (QTY 4)			
61	B1339533	COMPRESSOR GROMMET (QTY 4)			
111	0151R00068	REVERSING VALVE (M1, M2, M3)			
111	0151R00071	REVERSING VALVE (M4, M5, M6, M7)			
121	0151L00009	ACCUMULATOR (M6)			
121	0151L00010	ACCUMULATOR (M7)			
121	B1226207	ACCUMULATOR (M3, M4, M5)			
121	0151R00004P	ACCUMULATOR 3/4 (M1, M2)			
131	0162R00056	FILTER/DRIER-BI-FLOW			
141	0151R00187	BASE VALVE 3/8"			
151	0151R00185	BASE VALVE 3/4" (M1, M2, M3)			
151	0151R00186	BASE VALVE 7/8" (M4, M5, M6, M7)			
161	0130M00089	SW-CUTOUT HI PRESS (M1, M2, M3, M5, M6, M7)			
161	0130M00734	SW-CUTOUT HI PRESS (M4)			
171	0162R00007	MUFFLER 1/2 X 1/2			
181	0151R00218	COMPENSATOR (M7)			
181	0151R00229	COMPENSATOR (M5)			
191	0130M00088	SW-CUTOUT LOW PRESS			
211	0121R00006PDG	BASE PAN 29" (M1)			
211	0121R00007PDG	BASE PAN 35" (M2, M3, M4, M5, M6, M7)			
311	0130M00410	REVERSING VALVE HARNESS			
321	0130M00106	DISC THERMOSTAT CRNKCS HTR SW			
331	0130M00349	DISC-THERMOSTAT (M1, M2, M3, M5, M6, M7)			
331	11046710	DISC-THERMOSTAT (M4)			
341	B1787000	VALVE CORE			
NS	0163M00175	CAP WITH O-RING			
NS	B1225022	SOLENOID COIL			

Expanded Model Nomenclature

- | |
|-------------------|
| M1 - GSZH501810AA |
| M2 - GSZH502410AA |
| M3 - GSZH503010AA |
| M4 - GSZH503610AA |
| M5 - GSZH504210AA |
| M6 - GSZH504810AA |
| M7 - GSZH506010AA |