



OPERATING INSTRUCTIONS FOR:

MDX14



Visit woods.se for more information and updated instruction manuals.

For extended warranty register your product at warranty-woods.com

GB	<i>Operating Instructions</i>	NL	<i>Gebruiksaanwijzing</i>
SE	<i>Bruksanvisning</i>	PL	<i>Instrukcja obsługi</i>
NO	<i>Bruksanvisning</i>	RO	<i>Manual utilizare</i>
DK	<i>Betjeningsvejledning</i>	LT	<i>Naudojimosi instrukcija</i>
FI	<i>Käyttöohjeet</i>	LV	<i>Lietošanas instrukcija</i>
DE	<i>Bedienungsanleitung</i>	EE	<i>Kasutusjuhend</i>
FR	<i>Guide d'instructions</i>	GK	<i>Greek</i>
ES	<i>Manual de instrucciones</i>	IS	<i>Icelandic</i>

Visit our website to:

Get usage advice, updated brochures, trouble shooter and service information.

Register your product for additional services:
www.warranty-woods.com

CUSTOMER CARE AND SERVICE

Always use original spare parts.
When contacting our Authorised Service Centre, ensure that you have the following data available: Model number, receipt and serial number.

Warning / Caution-Safety information.
General information and tips.
Environmental information.
Subject to change without notice.

CONTENTS:

PAGE NO.

TABLE OF CONTENTS

OPERATING INSTRUCTIONS

<i>English</i>	08-14
<i>Swedish</i>	15-21
<i>Norwegian</i>	22-28
<i>Danish</i>	29-35
<i>Finnish</i>	36-42
<i>German</i>	43-49
<i>French</i>	50-56
<i>Spanish</i>	57-63
<i>Dutch</i>	64-70
<i>Polish</i>	71-77
<i>Romanian</i>	78-84
<i>Lithuanian</i>	85-91
<i>Latvian</i>	92-98
<i>Estonian</i>	99-105
<i>Greek</i>	106-112
<i>Icelandic</i>	113-119

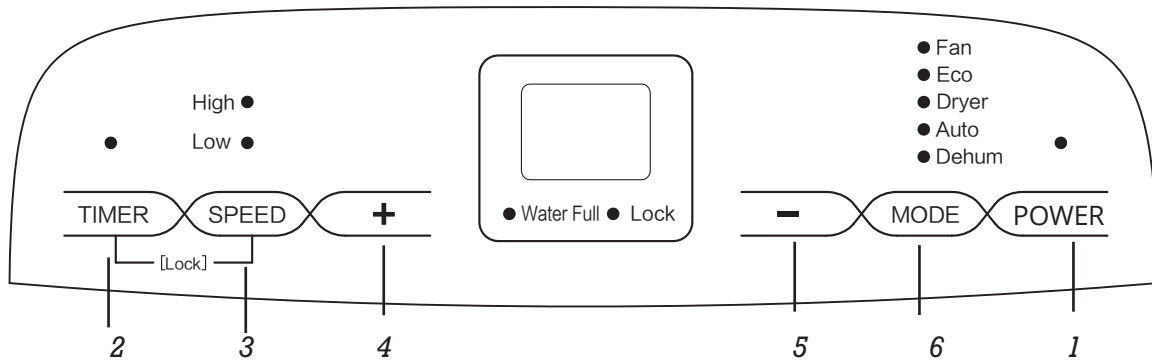


D.

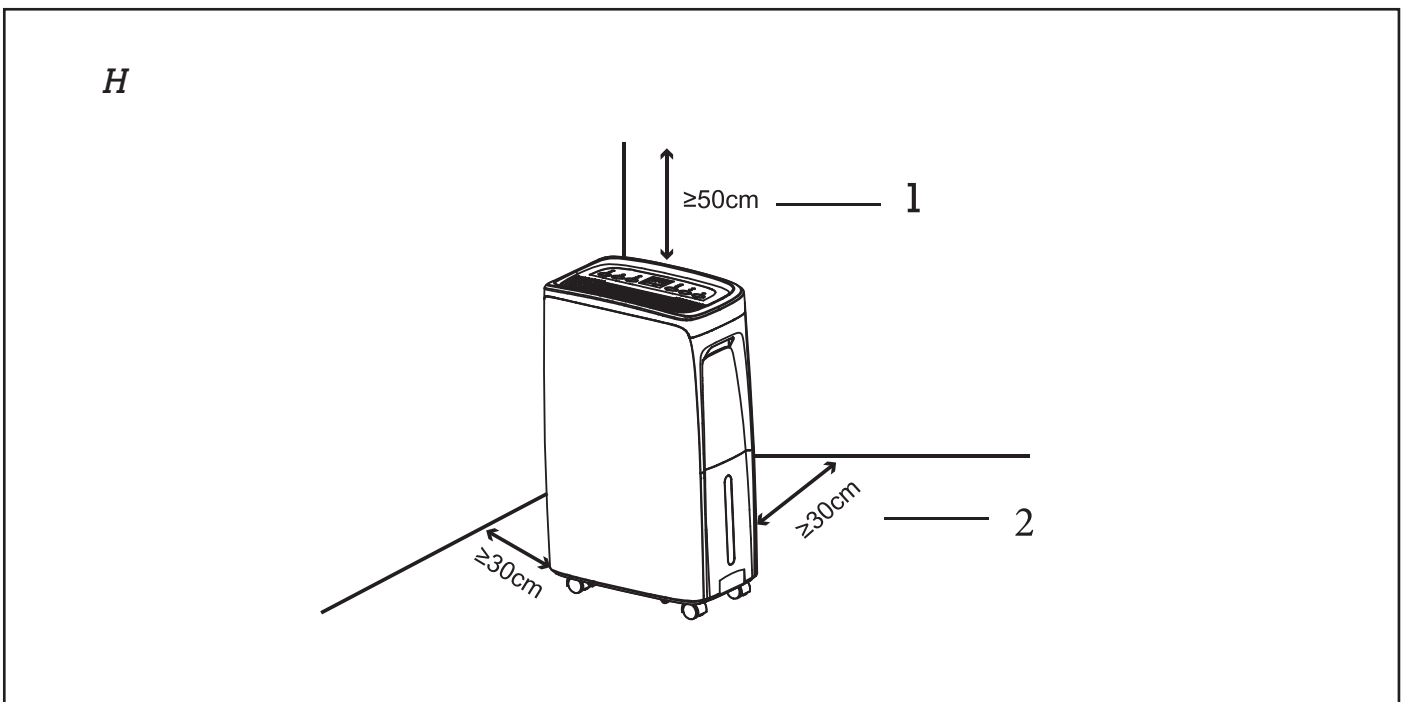
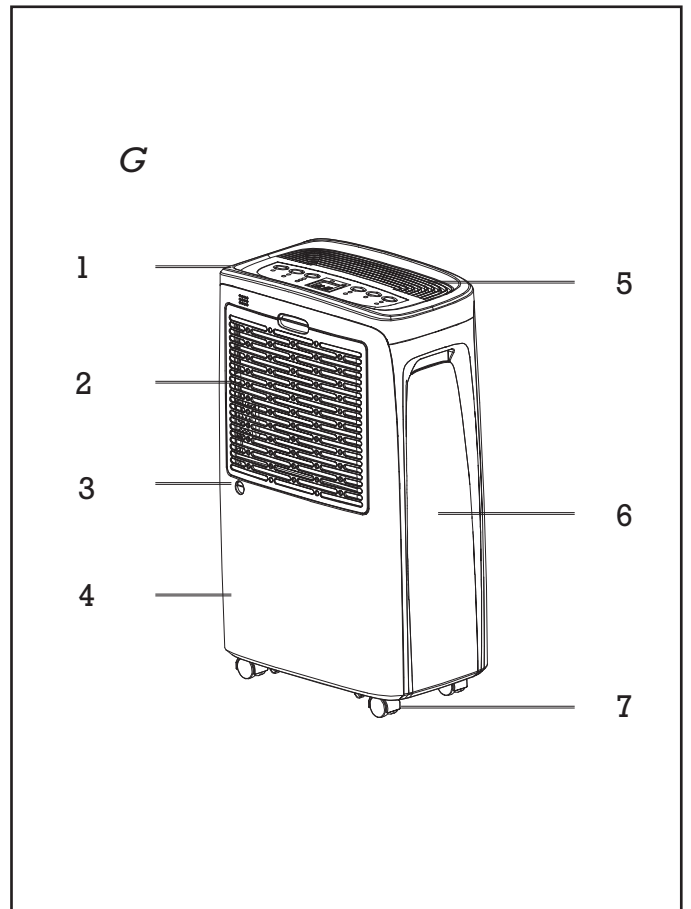
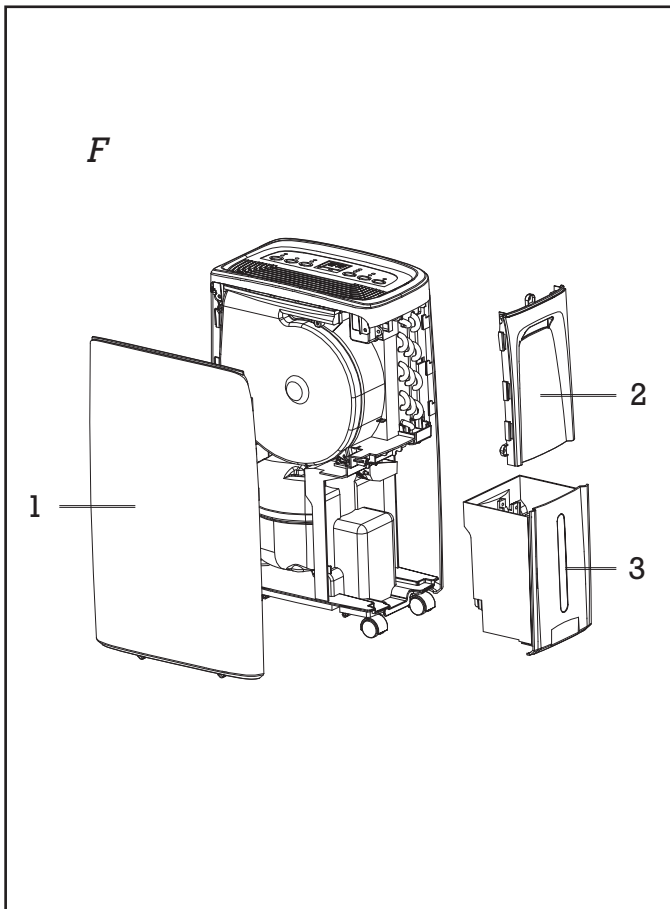
1 →



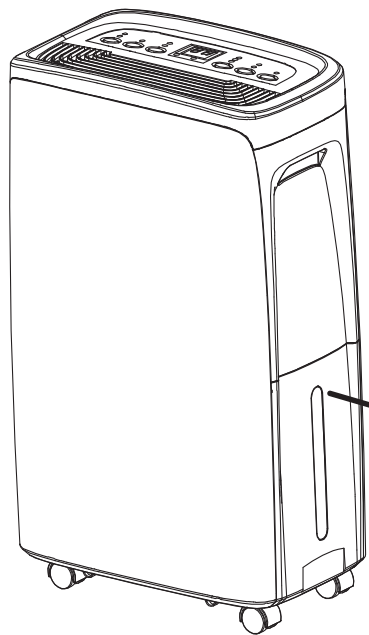
E.



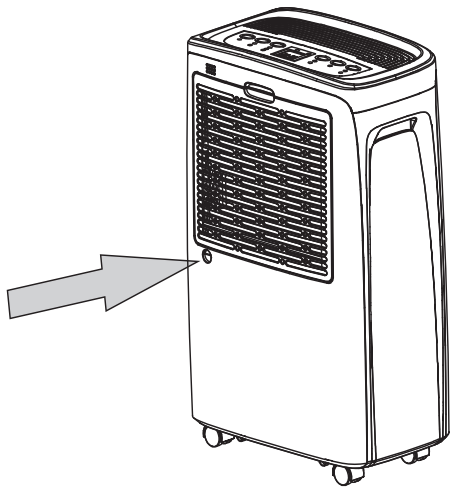
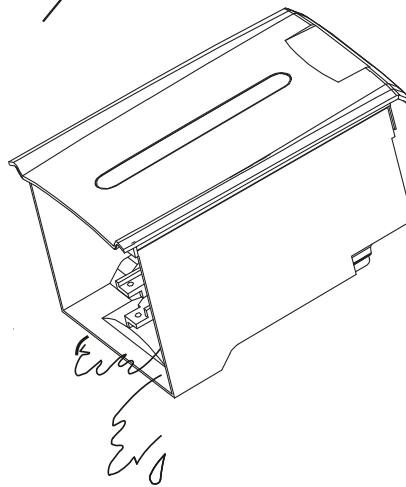
PRODUCT DESCRIPTION



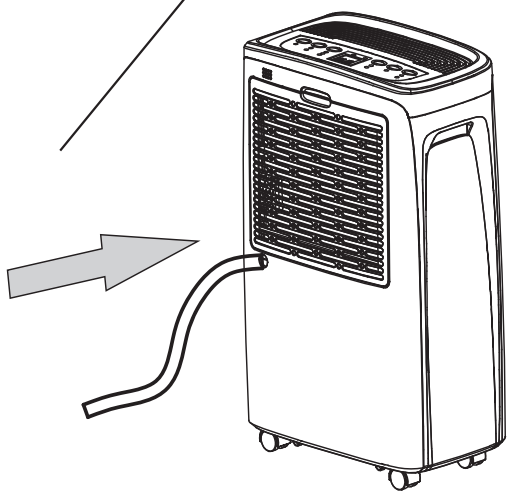
1



1



2



WOOD'S ONE OF THE WORLD'S LEADING DEHUMIDIFIERS

Wood's dehumidifier have been known as market leaders for many years. Their dehumidifiers are suitable for use in the most demanding climates, where dehumidifying capacity is good even at different temperatures and humidity levels. They are used with good results in premises that become damp such as cellars, garages or summer house. They are also excellent for drying washing, attics, pool rooms and laundry. Being efficient and low on energy consumption. Does not wear out clothes.

The amount of humidity that the dehumidifier removes depends on the temperature, humidity level and placement. External weather conditions may also affect the performance of the dehumidifier. In cold weather the absolute humidity decreases and thus the extraction of humidity from the air by the dehumidifier is reduced.

Wood's dehumidifiers are safe in operation and intended for continuous use over many years.

EXCESSIVE AIR HUMIDITY – A DANGER

Condensation occurs when water vapour in the air comes into contact with a cold surface such as cold window or wall. When water vapour is cooled down, condensation occurs, and water-drops are formed. In high air humidity, the air may get musty and mould might get formed, causing damage to a house and its furnishings. This environment may even cause illness for the residents. Mites and spiders also thrive in a damp environment. A dehumidifier with high performance creates a good, healthy humidity level. For greatest efficiency the doors and windows of rooms that are being dehumidified should be kept closed. Removes odours, dries wood and removes moisture from outdoors equipment.

1. SECURITY WARNINGS



Flammable material. This appliance contains R290/ Propane a flammable refrigerant.



Refer to this manual for safety information.



Read technical manual



Read operators manual.

SAFETY INFORMATION

Before the installation and use of the appliance, carefully read the supplied instructions. The manufacturer is not responsible if an incorrect installation and use causes injuries and damages. Always keep the instructions with the appliance for future reference.

Children and vulnerable people safety



WARNING
Risk of injury or permanent disability.

This appliance can be used by children aged 8 years and above and persons with reduced physical, sensory or mental capabilities or lack of experience and knowledge if they have been given supervision or instruction concerning use of the appliance in a safe way and understand the hazards involved.

Do not let children play with the appliance.

Children of less than 3 years should be kept away unless continuously supervised.

Keep all packaging away from children.

Cleaning and user maintenance shall not be made by children without supervision.

General Safety

This appliance is intended to be used in household and similar applications such as: – basements, crawl spaces; staff kitchen areas in shops, offices and other working environments. The rating plate is located at the back or the side of the dehumidifier.

Keep ventilation openings clear of obstruction.

Do not use mechanical devices or other means to accelerate the defrosting process, other than those recommended by the manufacturer.

The appliance shall not be stored in a room with operating ignition sources (for example; open flames, an operating gas appliance or an operation electric heater. Do not pierce or burn.

Be aware that refrigerants may not contain an odour. Do not use water spray and steam to clean the appliance. Clean the appliance with a moist soft cloth. Only use neutral detergents. Do not use abrasive products, abrasive cleaning pads, solvents or metal objects.

If the supply cord is damaged, it must be replaced by the

manufacturer, its Authorised Service Centre or similarly qualified persons in order to avoid a hazard.

SAFETY INSTRUCTIONS

Installation

WARNING



Only a qualified person must install this appliance.

Remove all the packaging.

Do not install or use a damaged appliance. The appliance shall be installed, operated and stored in a room with a floor area larger than 2 m². Obey the installation instruction supplied with the appliance.

Always be careful when you move the appliance because it is heavy.

Always wear safety gloves.

Make sure the air can circulate around the appliance.

Wait at least 4 hours before connecting the appliance to the power supply. This is to allow the oil to flow back in the compressor. Do not install the appliance close to radiators or other heat sources. Do not install the appliance where there is direct sunlight.

Electrical connection

WARNING



Risk of fire and electrical shock.

The appliance must be connected to a grounded outlet.

Make sure that the electrical information on the rating plate matches with the power supply. If not, contact an electrician.

Always use a correctly installed shockproof socket.

Do not use multi-plug adapters

and extension cables.

Make sure not to cause damage to the electrical components (e.g. mains plug, mains cable).

Contact the Authorised Service Centre or an electrician to change the electrical components.

The mains cable must stay below the level of the mains plug.

Connect the mains plug to the mains socket only at the end of the installation.

Make sure that there is access to the mains plug after the installation.

Do not pull the mains cable to disconnect the appliance. Always pull at the mains plug.

Use

WARNING



Risk of injury, burns, electrical shock or fire.

Do not change the specification of this appliance.

Be careful not to cause damage to the refrigerant circuit. It contains propane (R290), a natural gas with a high level of environmental compatibility. This gas is flammable.

If damage occurs to the refrigerant circuit, make sure that there are no flames and sources of ignition in the room. Ventilate the room.

Do not put flammable products or items that are wet with flammable products near or on the appliance.

Disposal

WARNING



Risk of injury.

Disconnect the appliance from the mains supply.

Cut off the mains cable and discard it.

The refrigerant circuit of this appliance is ozone-friendly.

Contact your municipal authority for information on how to discard the appliance correctly.

Do not cause damage to the part of the cooling unit that is near the heat exchanger.

SET UP DEHUMIDIFIER FOR INSTALLATION

IMPORTANT:

2. Installation

BEFORE FIRST USE

Let the machine stand for 4 hours before use

Selecting a Location

Important

1. The dehumidifier must be operated in an enclosed area to be most effective. Close all doors, windows, and other outside openings to the room. The effectiveness of the dehumidifier depends on the rate at which humid air enters the room.
2. Place dehumidifier in a location that does not restrict airflow through the front of the unit.
3. A dehumidifier operating in a room will have little or no effect in drying an adjacent enclosed storage area, such as a closet, unless there is adequate circulation of air in and out of the area. It may be necessary to install a second dehumidifier in the enclosed area for satisfactory drying.
4. Ensure that the unit is placed on a stable and flat surface. If the surface is not stable there is a risk of excessive vibration and that water to leak.
5. There should be a minimum of 30 cm clear around the unit.

PRODUCT DESCRIPTION

3. Product description

A

1. Front shell
2. Casters
3. Top panel

B

1. Filter
2. Continuous drain port

C

1. Water tank

D

1. Top panel

E

Control panel

1. POWER button: Start or stop the unit
2. TIMER button: Set the timer, query timer and cancel timer.
3. SPEED button: Fan will run at low speed or high speed.
4. UP button: Adjust the humidity or timing.
5. DOWN button: Adjust the humidity or timing.
6. MODE button: Fan --- Eco --- Dryer --- Auto --- Dehumidification

F

1. Front shell
2. Right shell
3. Water tank

G

1. Control panel
2. Filter
3. Continuous drain port
4. Rear shell
5. Air outlet
6. Left shell
7. Caster

H

1. Keep the top panel from other objects at least 50cm.
2. Keep a distance of above 30cm between the machine and the surrounding objects or walls.

I

1. Manual drainage
2. Continuous drainage

PLACEMENT OF DEHUMIDIFIER

- The dehumidifier should not be placed near radiators or other heat sources or exposed to direct sunlight, as it will reduce performance.
- Ideal is to put it in the centre of the room / area.



NOTE: When placed in a shower room or bathing area, the dehumidifier should be fixed in place. It is compulsory to check and respect your local bathroom electrical regulations before use.

USING THE DEHUMIDIFIER

If the dehumidifier is transported horizontally, let the dehumidifier stand for a 4 hours before being used. It is very important that the oil runs back into the compressor, otherwise the dehumidifier may be seriously damaged.

1. Check that the water reservoir is correctly placed.
2. Connect the dehumidifier to a grounded power source.
3. Set the function or desired humidity level. See the section on the humidity control.

OPERATION MANUAL

1. Power Button: This button can control the machine on and off.
2. Mode Button: Press to select the desired mode. It can switch to Normal dehumidification, Eco dehumidification, Auto dehumidification, Ventilation mode and Dry clothes mode.

ECO MODE

When the unit works at ECO MODE, the default humidity level is RH60%.

- a) When the ambient humidity $\geq 60\%$, the

unit will work as dehumidification, the fan speed is not adjustable.

- b) When the ambient humidity $< 60\%$, the unit will work as fan, the fan speed is not adjustable.
- c) The humidity level is not adjustable.

FAN MODE

Under this mode, compressor shall not work, fan works in low speed by default for ventilation only, fan speed is adjustable, humidity level can't be set, ambient humidity level (30-90%RH) will indicated on display panel.

DRY MODE

Under this mode, compressor will continuously work and fan runs at high speed regardless room humidity. Three minutes delay protection function of compressor is applicable, fan speed and humidity level can't be adjusted, ambient humidity level (30-90%RH) will indicated on display panel.

AUTO MODE

When the unit works at AUTO MODE, the default humidity level is RH50%

- a) When the ambient humidity $\geq 70\%$, the unit will work as strong dehumidification, the fan speed is not adjustable.
- b) When $50\% \leq$ the ambient humidity $< 70\%$, the unit will work as weak dehumidification, the fan speed is not adjustable.
- c) When the ambient humidity $< 50\%$, the unit will work as fan in low speed, the fan speed is not adjustable.
- d) The ambient humidity level (30-90%RH) will indicated on display panel, the humidity is not adjustable.

DEHUMIDIFICATION MODE

The unit will work at dehumidification mode when power-on for the first time or choose by mode conversion, the fan speed is defaulted high, press UP and DOWN to adjust the setting humidity (35-85%).

3. Humidity can be set between 35% - 85%(5% adjustment factor),

Humidity setting is only valid under dehumidification mode.

4. Timer: You can set how long the unit will run or when it will start. You can select 1-24 hours.
5. Fan Speed: The speed key is valid only in dehumidification mode and ventilation mode.
6. Child-lock: Press both "Timer" and "Speed" to set or shut off Child-lock function.

WATER DRAINAGE

When the water reservoir is full, the dehumidifier will shut off automatically.

1. Disconnect the dehumidifier from the power source.
2. Empty the water reservoir.
3. Put the empty water reservoir back and check that the float moves freely.
4. Connect the dehumidifier to the power source.

Direct water drainage

Connect a water hose to the pipe on the back of the dehumidifier. Lead the other end to a drain. Make sure that the water can be drained downwards by gravity.

AIR FILTER

The air filter prevents dust and dirt from entering the machine, prolonging its life expectancy. It is important the filter is cleaned regularly.

Filter cleaning:

1. Remove the filter.
2. Wash it with warm water and a mild cleansing agent. Alternatively the filter may be vacuum cleaned.
3. Let the filter dry and put it back.

DEFROSTING OPERATION

The evaporator in the dehumidifier may defrost automatically if it is operated in the room temperature less than 18 °C. The defrosting device may start up and operate for some time (about 8 minutes) automatically every 40 minutes or even longer.

Please don't turn off the switch or pull out the power plug of the dehumidifier during the defrosting operation.

This dehumidifier doesn't have cooling function. It will produce heat during the operation and can increase the room temperature to 1 to 4°C.

MAINTENANCE

- Clean the unit with a soft moist cloth. Do not use solvents or strong cleaners as this might damage the surface of the unit.

SERVICE

If the dehumidifier requires servicing, you must first contact your local retailer.

WARRANTIES

2 years product warranty. Please note that the warranty is only valid upon the production of the receipt.

STORAGE

Before storage of the unit, please follow these steps:

1. Make sure the water tank is empty. When the unit is switched on, make sure the unit work at Ventilation mode for at least 30 minutes to remove the water inside the unit.
2. Collect and bundle the power cord.
3. Clean the filter.

4. Store in a clean, dry environment.

HINTS

When the dehumidifier is used in extremely damp environments or when the temperature is below +5°C, the dehumidifier will stop working. A large amount of ice builds up on the cooling coil. Turn off the dehumidifier and place it a little above floor level so that the ice will melt away.

Sometimes it may be useful to use a fan heater to make sure that the temperature does not fall below +10°C. Even if the MDX14 work down to temperatures as low as +5°C, its capacity will increase at higher temperatures as warm air carries more water.

The hydrostat has a margin of error of approx. +/- 5-10%. At lower temperatures, the margin of error might increase further.

Expect higher dehumidification capacity during Autumn / Summer because the outside air is warmer and more humid.

IMPORTANT! - Wood's dehumidifiers must be connected to an grounded power source. The power source should be 220V-240V 50Hz

PROBLEM	SOLUTION
Dehumidifier does not start	<ul style="list-style-type: none"> - Check that dehumidifier is connected to electricity and that fuse has not gone - If the warning light is on, check that the water reservoir is empty and correctly placed in the dehumidifier. Check that float is free
Does not dehumidify	<ul style="list-style-type: none"> - Check that fan is spinning - Check that air can flow freely through the dehumidifier. Top grid and air filter should be clean and dehumidifier should stand 30cm from walls. - Listen for sound of compressor, but bear in mind that the dehumidifier may stop, when the ambient humidity reach the setting humidity. - Check that a thick coating of ice has not formed on the cooling coils.
High noise level	<ul style="list-style-type: none"> - Increase distance between dehumidifier and surrounding surfaces - Cooling coils may be in contact with one another and cause vibration. Disconnect dehumidifier from electricity and separate coils.
Does not turn off when water reservoir is full	<ul style="list-style-type: none"> - It is important that the float moves freely in the water reservoir. If it does not, it will not respond to water levels and prevent dehumidifier from stopping
No water enters reservoir	<ul style="list-style-type: none"> - Check for obstruction to drip-tray above water reservoir
FL	<ul style="list-style-type: none"> - Water reservoir is full. Empty the water reservoir and put it back.
E1	<ul style="list-style-type: none"> - Temp-humidity sensor failure. Replace the temp-humidity sensor.

If none of the above works, you should contact your nearest retailer for checking and possible overhaul of dehumidifier.

TECHNICAL DATA

	MDX14
Max. working area	40m ²
Air flow step 1	100m ³ /h
Air flow step 2	120m ³ /h
Dehumidifying at 20°C and 70% r.h.	6,0 l / 24h
Dehumidifying at 30°C and 80% r.h.	10 l / 24h
Power at 20°C and 70% r.h.	180 W
Power consumption at 20°C and 70% r.h.	4,3kWh/24 h
Tank volume	1,5 liters
Refrigerant	R290
Charge R290	40 g
Voltage	220-240V
Frequency	50Hz
Current	1A
IP-Code	IPX2
Noise level in decibels	43dB
Weight	9,1 kg
Dimensions in mm, L x B x H	293x183x493

*Technical changes and improvements may occur. All values are approximate and may vary due to external circumstances such as temperature, ventilation and humidity.



NOTE!

Register at www.warranty-woods.com and read about how to get extended warranty. Please visit www.woods.se for more information.

Recommended limits for use

Temp. +5°C to +35°C
 Relative humidity: 30% to 90%
 Recommended humidity level:
 appr. 50% RH

Guarantees

2 years consumer warranty against production faults. Please note that the warranty is only valid upon the production of the receipt. The warranty is only valid if the product is used in accordance with the instructions and security warnings expressed in this manual. The warranty does not cover any damages caused by improper handling of the product.

NOTE: The 2 years warranty only applies for consumers and not for commercial use of the unit.

WOOD'S ÄR EN AV VÄRLDENS LEDANDE AVFUKTARE

Wood's avfuktare har varit kända som marknadsledande i många år. Våra avfuktare lämpar sig för användning i de mest krävande klimat, där avfuktningsskapaciteten är bra även när temperaturen och luftfuktigheten varierar. De används med gott resultat i lokaler som blir fuktiga, såsom källare, garage eller sommarstugor. De är också utmärkta för torkning av tvätt, på vindar, i poolrum och tvättrum. De är effektiva och drar lite ström. Sliter inte ut kläderna.

Mängden fukt som avfuktaren avlägsnar beror på temperaturen, luftfuktigheten och aggregatets placering. Yttre väderförhållanden kan också påverka avfuktarens prestanda. I kallt väder minskar den absoluta luftfuktigheten, vilket även gör att fukten som avfuktaren utvinns från luften minskar. (Den relativa luftfuktigheten kan fortfarande vara hög.) Wood's avfuktare är säkra att använda och avsedda för användning under många år.

Wood's avfuktare är säkra att använda och avsedda för kontinuerlig användning under många år.

ÖVERDRIVEN LUFTFUKTIGHET – EN FARA

Kondens bildas när vattenånga i luften kommer i kontakt med en kall yta, som ett kallt fönster eller en kall vägg. När vattenånga kyls ner uppstår kondens och det bildas vattendroppar. I hög luftfuktighet kan luften bli unken och det kan bildas mögel, vilket orsakar skador på ett hus och dess inredning. Denna miljö kan även göra att de som bor i huset blir sjuka. Kvalster och spindlar trivs i fuktig miljö. En avfuktare med hög prestanda skapar en bra och hälsosam fuktighetsnivå. För högsta effektivitet ska dörrar och fönster i de rum som ska avfuktas hållas stängda. Elimineras lukt, torkar trä och avlägsnar fukt från utomhusutrustning.

1. SÄKERHETS- VARNINGAR



Brandfarligt material. Denna apparat innehåller R290/propan, ett brandfarligt köldmedium.



Se denna bruksanvisning för säkerhetsinformation.



Läs den tekniska manualen



Läs bruksanvisningen.

SÄKERHETSINFORMATION

Läs igenom de medföljande instruktionerna noggrant före installation och användning av apparaten. Tillverkaren tar inget ansvar för felaktig installation som orsakar personskador och materiella skador. Förvara alltid instruktionerna tillsammans med apparaten för framtida referens.

Barn och utsatta personers säkerhet

VARNING



Risk för personskada eller permanent invaliditet. Denna apparat kan användas av barn från 8 år och uppåt och personer med nedsatt fysisk, sensorisk eller mental förmåga eller bristande erfarenhet och kunskap om de har fått tillsyn eller instruktioner om användning av

apparaten på ett säkert sätt och förstå de faror som är inblandade. Låt inte barn leka med apparaten.

Barn som är yngre än 3 år bör hållas borta om de inte övervakas kontinuerligt.

Förvara allt emballage utom räckhåll för barn.

Rengöring och underhåll får inte göras av barn utan uppsikt.

Allmän säkerhet

Denna apparat är avsedd att användas i hushåll och liknande användningsområden såsom: - källare, kryputrymmen; personalkök i butiker, kontor och andra arbetsmiljöer. Märkskylten sitter på baksidan eller sidan av avfuktaren.

Se till att ventilationsöppningarna inte är blockerade.

Använd inte mekaniska anordningar eller andra hjälpmedel för att påskynda avfrostningen än de som rekommenderas av tillverkaren.

Apparaten får inte förvaras i ett rum med antändningskällor som är aktiva (till exempel: öppen eld, gasdriven utrustning eller en elektrisk värmare. Får inte punkteras eller brännas.

Tänk på att köldmedier kan avge lukt. Använd inte vattenspray och ånga för att rengöra apparaten. Rengör apparaten med en fuktig, mjuk trasa. Använd endast neutrala rengöringsmedel. Använd inte slipmedel, den slipande sidan på kökssvampar, lösningsmedel eller metallföremål.

Om nätsladden är skadad måste den bytas ut av tillverkaren, dess auktoriserade servicecenter eller liknande kvalificerade personer för att undvika fara.

SÄKERHETSFÖRESKRIFTER

Installation



VARNING

Denna apparat får endast installeras av en fackman. Ta bort allt emballage. Installera inte eller använd apparaten om den är skadad. Apparaten ska installeras, användas och förvaras i ett rum med en golvyta som är större än 2 m². Följ installationsanvisningarna som medföljer apparaten. Var alltid försiktig när du flyttar apparaten eftersom den är tung. Använd alltid skyddshandskar.

Se till att luften kan cirkulera runt apparaten.

Vänta minst 4 timmar innan du ansluter apparaten till strömförsörjningen. Detta är för att oljan ska kunna rinna tillbaka in i kompressorn.

Installera inte apparaten nära radiatorer eller andra värmekällor. Installera inte apparaten på en plats där den utsätts för direkt solljus.

Anslutning till elnätet



VARNING

Risk för brand och elstötar. Apparaten måste anslutas till ett jordat uttag. Se till att den elektriska informationen på märkskylten överensstämmer med

strömförsörjningen. Om inte, kontakta en elektriker. Använd alltid ett korrekt installerat, ståtsäkert uttag.

Använd inte grenuttag och förlängningskablar. Se till att de elektriska komponenterna inte skadas (t.ex. stickkontakt, nätsladd). Kontakta det auktoriserade servicecentret eller en elektriker för att byta ut elektriska komponenter. Nätsladden måste vara placerad på en nivå som är under stickkontakten.

Anslut stickkontakten till eluttaget först när installationen är klar.

Se till att det är enkelt att komma åt stickkontakten efter installationen.

Dra inte i sladden när du ska koppla från apparaten. Håll alltid i stickkontakten när du ska dra ut sladden.

Använda



VARNING

Risk för brännskador, elstötar eller brand.

Ändra inte specifikationen för denna apparat.

Var försiktig så att inte köldmediekretsen skadas. Kretsen innehåller propan (R290), som är en miljövänlig naturgas. Gasen är brandfarlig.

Om skador uppstår på köldmediekretsen, får det inte finnas någon öppen låga eller antändningskällor i rummet. Vädra ut gasen.

Placera inte brandfarliga produkter eller föremål som är våta med

brandfarliga produkter nära apparaten.

Bortskaffning



VARNING

Risk för personskador. Koppla bort apparaten från elnätet. Klipp av nätsladden och släng den. Köldmediekretsen i denna apparat är ozonvänlig. Kontakta din kommun för information om hur du kasserar apparaten korrekt. Det är viktigt att delen på kylaggregatet som är närmast värmeväxlaren inte skadas.

FÖRBEREDA AVFUKTAREN FÖR INSTALLATION

VIKTIGT!

2. Installation

FÖRE FÖRSTA ANVÄNDNINGEN

Låt maskinen stå upprätt i 4 timmar före användning

Välja en plats

Viktigt

1. Avfuktaren måste användas i ett stängt utrymme för att vara så effektiv som möjligt. Stäng alla dörrar, fönster och andra öppningar till utsidan i rummet. Avfuktarens effektivitet beror på den hastighet med vilken den fuktiga luften kommer in i rummet.
2. Placera avfuktaren på en plats där luftflödet genom enhetens framsida inte begränsas.
3. En avfuktare som används i ett rum har liten eller ingen effekt när det gäller att torka ett angränsande stängt utrymme, t.ex. en garderob, om det inte finns tillräcklig luftcirkulation in i och ut från det aktuella utrymmet. En andra avfuktare kan behöva installeras i det stängda utrymmet för tillfredsställande torkning.
4. Se till att enheten är placerad på en stabil och plan yta. Om ytan inte är stabil, finns det risk för överdrivna vibrationer och vattenläckage.
5. Det bör vara minst 30 cm fritt utrymme runt enheten.

PRODUKTBESKRIVNING

3. Produktbeskrivning

A

1. Hölje, framsida
2. Hjul
3. Övre panel

B

1. Filter
2. Kontinuerlig dräneringsport

C

1. Vattenbehållare

D

1. Övre panel

E

Kontrollpanelen

1. Strömknapp (POWER): Används för att starta eller stäng av enheten
2. TIMER-knapp: Används för att ställa in timern, kontrollera timerinställning och avbryta timerfunktionen.
3. Hastighetsknapp (SPEED): Fläkten körs med låg eller hög hastighet.
4. Upp-knapp: Justera luftfuktigheten eller timerinställningen.
5. Ner-knapp: Justera luftfuktigheten eller timerinställningen.
6. Lägesknapp (MODE): Fläkt --- Eco --- Torkare --- Auto --- Avfuktning

F

1. Hölje, framsida
2. Hölje, höger sida
3. Vattenbehållare

G

1. Kontrollpanelen
2. Filter
3. Kontinuerlig dräneringsport
4. Hölje, baksida
5. Luftutlopp
6. Hölje, vänster sida
7. Hjul

H

1. Se till att avståndet mellan den övre panelen och omgivande föremål är minst 50 cm.
2. Se till att avståndet mellan maskinen och omgivande föremål eller väggar är minst 30 cm.

I

1. Manuell dränering
2. Kontinuerlig dränering

PLACERING AV AVFUKTAREN

- Avfuktaren bör inte placeras i närheten av radiatorer eller andra värmekällor eller exponeras för direkt solljus, eftersom det kommer att göra att prestandan försämras.
- Idealt ska avfuktaren placeras i mitten av rummet/utrymmet.



OBS! Om avfuktaren placeras i ett dusch- eller badrum, bör avfuktaren skruvas fast. Det är obligatoriskt att kontrollera och följa de lokala bestämmelserna för installation i våtrum före användning.

ANVÄNDA AVFUKTAREN

Om avfuktaren transporteras liggande, låt den stå upprätt i 4 timmar före användning. Det är mycket viktigt att oljan rinner tillbaka in i kompressorn, eftersom avfuktaren annars kan ta allvarlig skada.

1. Kontrollera att vattenbehållaren är rätt placerad.
2. Anslut avfuktaren till ett jordat eluttag.
3. Välj funktion eller önskad fuktighetsnivå. Se avsnittet om fuktkontroll.

BRUKSANVISNING

1. Strömknapp: Denna knapp används för att slå på och stänga av maskinen.
2. Lägesknapp: Tryck på knappen för att välja önskat driftläge. Den kan växla till Normal avfuktning, Eco-avfuktning, Automatisk avfuktning, Ventilationsläge och Klädtorkningsläge.

ECO-LÄGE

När enheten arbetar i ECO-LÄGE är fuktighetsnivån som standard RH60%.

a) När den är omgivande luftfuktigheten

≥ 60 % avfuktar enheten, fläkthastigheten kan inte justeras.

b) När luftfuktigheten < 60 % fungerar enheten som en fläkt, fläkthastigheten kan inte justeras.

c) Fuktighetsnivån kan inte justeras.

FLÄKTLÄGE

I det här läget ska kompressorn inte vara igång, fläkten går på låg hastighet som standard endast för ventilation, fläkthastigheten kan justeras, det går inte att ställa in önskad luftfuktighet, luftfuktigheten i omgivningsluften (30-90%RH) visas på displaypanelen.

TORRT LÄGE

I det här läget arbetar kompressorn kontinuerligt och fläkten går på hög hastighet oavsett luftfuktighet i rummet. Skyddsfunktionen där kompressorn startar om med tre minuters fördröjning är aktiverad, fläkthastighet och luftfuktighet kan inte justeras, luftfuktigheten i omgivningsluften (30-90%RH) visas på displaypanelen.

AUTO-LÄGE

När enheten arbetar i AUTO-LÄGE är fuktighetsnivån som standard RH50%

- a) När luftfuktigheten ≥ 70 % arbetar avfuktaren med hög effekt, fläkthastigheten kan inte justeras.
- b) När luftfuktigheten är mellan 50 och 70 % arbetar enheten på lägre effekt, fläkthastigheten kan inte justeras.
- c) När luftfuktigheten är < 50 % fungerar enheten som en fläkt och går på låg hastighet, fläkthastigheten kan inte justeras.
- d) Luftfuktigheten (30-90%RH) visas på displaypanelen, luftfuktigheten kan inte justeras.

AVFUKTNINGSLÄGE

Enheten arbetar i avfuktningläge när strömmen slås på första gången eller väljs genom byte av driftläge, fläkthastigheten är hög som standard, tryck på UP respektive DOWN för att ställa in önskad luftfuktighet (35-85 %).

3. Fuktivnivån kan ställas in på mellan 35 % - 85 % (5 % korrigeringsfaktor), val av fuktivnivå kan endast göras i avfuktningläge.
4. Timer: Du kan ställa in hur länge enheten ska gå eller när den ska starta. Du kan välja 1-24 timmar.
5. Fläkthastighet: Hastighetsknappen kan endast användas i avfuktningläge och ventilationsläge.
6. Barnspärr: Tryck på "Timer" och "Speed" (hastighet) samtidigt för att ställa in eller stänga av barnspärrfunktionen.

VATTENDRÄNERING

När vattenbehållaren är full stängs avfuktaren av automatiskt.

1. Koppla bort avfuktaren från strömkällan.
2. Töm vattenbehållaren.
3. Sätt tillbaka den tomma vattenbehållaren och kontrollera att flottören kan röra sig fritt.
4. Anslut avfuktaren till strömkällan.

Direkt vattendränering

Anslut en vattenslang till röret på baksidan av avfuktaren. Dra den andra änden av slangen till ett avlopp. Se till att vattnet kan tömmas nedåt av gravitationen.

LUFTFILTRET

Luftfiltret förhindrar att damm och smuts tränger in i maskinen, och förlänger på så sätt den förväntade livslängden. Det är viktigt att filtret rengörs regelbundet.

Rengöring av filtret:

1. Ta bort filtret.
2. Tvätta av filtret med varmt vatten och ett mildt rengöringsmedel. Alternativt kan filtret dammsugas rent.
3. Låt filtret torka och installera det igen.

AVFROSTNING

Förångaren i avfuktaren kan avfrostas automatiskt om den används i rumstemperaturer under 18 °C. Avfrostningsanordningen kan starta och vara igång ett tag (cirka 8 minuter) automatiskt var 40:e minut eller ännu längre.

Stäng inte av strömbrytaren eller dra ut stickkontakten till avfuktaren under avfrostningen.

Denna avfuktare har ingen kylfunktion. Den kommer att alstra värme under avfrostningen och kan göra att rumstemperaturen ökar med mellan 1 och 4 °C.

UNDERHÅLL

- Rengör enheten med en fuktig mjuk trasa. Använd inte lösningsmedel eller starka rengöringsmedel eftersom det kan skada ytan på enheten.

SERVICE

Om avfuktaren behöver servas, måste du först kontakta din lokala återförsäljare.

GARANTIER

2 års produktgaranti. Observera att garantin endast gäller mot uppvisande av kvittot.

FÖRVARING

Följ stegen nedan innan du förvarar enheten:

1. Se till att vattenbehållaren är tom. När enheten slås på, se till att låta den gå i ventilationsläget i minst 30 minuter för att avlägsna vattnet inne i enheten.
2. Rulla ihop nätsladden.

3. Rengör filtret.
4. Förvara på en ren och torr plats.

TIPS

Om avfuktaren används i extremt fuktiga miljöer eller om temperaturen är lägre än +5 °C, stängs avfuktaren av automatiskt. Det har bildats mycket is på kylspolen. Stäng av avfuktaren och ställ den lite över golvnivån så att isen smälter.

Ibland kan det vara bra att använda en varmluftsfläkt för att se till att temperaturen inte sjunker under +10 °C. Även om MDX14 arbetar ned till så låga temperaturer som +5 °C ökar kapaciteten vid högre temperaturer eftersom varm luft bär mer vatten.

Hydrostaten har en felmarginal på cirka +/- 5-10 %. Vid lägre temperaturer kan felmarginalen öka ytterligare.

Räkna med högre avfuktningkapacitet under höst/sommar eftersom utomhusluften då är varmare och fuktigare.

VIKTIGT! - Wood's avfuktaren måste anslutas till ett jordat eluttag. Spänningen bör vara 220V-240V 50Hz

PROBLEM	LÖSNING
Avfuktaren startar inte	<ul style="list-style-type: none"> - Kontrollera att avfuktaren är ansluten till elnätet och att säkringen inte har gått - Om varningslampan lyser, kontrollera att vattenbehållaren är tom och korrekt placerad i avfuktaren. Kontrollera att flottören kan röra sig fritt
Enheten avfuktar inte	<ul style="list-style-type: none"> - Kontrollera att fläkten snurrar - Kontrollera att luften kan cirkulera fritt genom avfuktaren. Det övre gallret och luftfiltret bör vara rent och avfuktaren stå minst 30 cm från väggarna. - Lyssna efter eventuella missjud från kompressorn, men kom ihåg att avfuktaren kan stängas av när luftfuktigheten når den inställda fuktnivån. - Kontrollera att det inte har bildats ett tjockt lager is på kylspolarna.
Hög ljudnivå	<ul style="list-style-type: none"> - Öka avståndet mellan avfuktaren och omgivande ytor - Kylspolarna ligger eventuellt an mot varandra, med vibrationer som följd. Dra ut nätsladden till avfuktaren och separera spolarna.
Stängs inte av trots att vattenbehållaren är full	<ul style="list-style-type: none"> - Det är viktigt att flottören kan röra sig fritt i vattenbehållaren. Om den inte gör det, kommer den inte att reagera på vattennivåerna, vilket gör att avfuktaren inte stängs av
Inget vatten rinner ner i vattenbehållaren	<ul style="list-style-type: none"> - Kontrollera att det inte finns något hinder på droppbrickan ovanför vattenbehållaren
FL	<ul style="list-style-type: none"> - Vattenbehållaren är full. Töm vattenbehållaren och sätt tillbaka den.
E1	<ul style="list-style-type: none"> - Temperatur-fuktsensorn är defekt. Byt ut temperatur-fuktsensorn.

Om inget av ovanstående fungerar, bör du kontakta närmaste återförsäljare för kontroll och eventuell översyn av avfuktaren.

TEKNISKA DATA

	MDX14
Max arbetsområde	40m ²
Luftflöde steg 1	100 m ³ /h
Luftflöde steg 2	120m ³ /h
Avfuktning vid 20 °C och 70% r.h.	6,0 l / 24h
Avfuktning vid 30 °C och 80% r.h.	10 l / 24h
Effekt vid 20 °C och 70% r.h.	180 W
Strömförbrukning vid 20 °C och 70% r.h.	4,3 kWh/24 h
Vattenbehållarens volym	1,5 liter
Köldmedium	R290
Fyll på R290	40 g
Driftspänning	220-240V
Frekvens	50Hz
Strömstyrka	1A
IP-kod	IPX2
Ljudnivå i decibel	43dB
Vikt	9,1 kg
Mått i mm, L x B x H	293x183x493

*Tekniska ändringar och förbättringar kan förekomma. Alla värden är ungefärliga och kan variera beroende på yttre omständigheter såsom temperatur, ventilation och luftfuktighet.



OBS!

Registrera produkten på www.warranty-woods.com och läs om hur du förlänger garantin. Gå in på www.woods.se för mer information.

Rekommenderade gränsvärden för användning

Temp. +5°C till +35°C
 Relativ luftfuktighet: 30 % till 90 %
 Rekommenderad fuktighetsnivå:
 cirka 50% RH

Garantier

2 års konsumentgaranti mot produktionsfel. Observera att garantin endast gäller mot uppvisande av kvittot. Garantin gäller endast om produkten används i enlighet med instruktionerna och säkerhetsvarningarna i denna manual. Garantin täcker inte skador orsakade av felaktigt handhavande av produkten.

OBS! Den 2-åriga garantin gäller endast för konsumenter och inte för kommersiell användning av enheten.

WOOD'S ER EN VERDENSLÉDE AVFUUKTER

Wood's avfuktere har vært kjent som markedsledende i mange år. Avfukterne kan brukes i de mest krevende klimaer med god avfuktingskapasitet selv ved forskjellige temperaturer og luftfuktighetsnivåer. De brukes med gode resultater på steder der det dannes fuktighet, som i kjellere, garasjer og sommerhus. De er også velegnet til tørkerom, loft, bad og vaskerom. Effektive, med lavt strømforbruk. Sliter ikke på klær.

Mengden fuktighet som fjernes, avhenger av temperaturen, luftfuktigheten og plasseringen. Eksterne værforhold kan også påvirke avfukterens yteevne. I kaldt vær synker den absolutte luftfuktigheten, og dermed reduseres mengden fukt avfukteren trekker ut av luften. (Den relative luftfuktigheten kan likevel være på et høyt nivå.) Wood's luftfuktere er trygge å bruke, og de varer i mange år.

Wood's avfuktere er trygge å bruke og kan brukes kontinuerlig i mange år.

FOR HØY LUFTFUKTIGHET UTGJØR EN FARE.

Kondens oppstår når vanddampen i luften kommer i kontakt med en kald overflate som et kaldt vindu eller en kald vegg. Når vanddamp nedkjøles, oppstår det kondens og det dannes vannråper. Ved høy luftfuktighet kan luften bli fuktig, og det kan dannes mugg som skader hus og møbler. Dette miljøet kan også gjøre at beboerne blir syke. Midd og edderkopper trives også i fuktige omgivelser. En avfukter med høy effekt skaper et godt og sunt luftfuktighetsnivå. For å oppnå best mulig effekt bør du lukke vinduer og dører til rom som avfuktes. Fjerner lukt, tørker ved og fjerner fuktighet fra sportsutstyr.

1. SIKKERHETS-ADVARSLER



Brennbart materiale. Denne enheten inneholder det brennbare kuldemediet R290/propan.



Du finner sikkerhetsinformasjon i denne bruksanvisningen.



Les den tekniske håndboken



Les bruksanvisningen.

SIKKERHETSINFORMASJON

Les de vedlagte anvisningene nøye før utstyret installeres og brukes. Fabrikanten er ikke ansvarlig dersom feilaktig installering og bruk forårsaker skade på personer eller eiendom. Oppbevar alltid bruksanvisningen sammen med enheten til fremtidig bruk.

Sikkerheten til barn og sårbare mennesker



ADVARSEL

Fare for personskade eller varig uførhet.

Denne enheten kan brukes av barn fra 8 år og oppover, samt av personer med nedsatte fysiske, sensoriske eller mentale evner eller manglende erfaring og kunnskap, så fremt de har tilsyn eller har fått innføring i hvordan enheten brukes på en trygg og sikker måte, samt

at de er klar over de farer bruken medfører.

Ikke la barn leke med enheten.

Barn under 3 år bør holdes unna enheten hvis de ikke har konstant tilsyn.

Oppbevar alt emballasjemateriale utilgjengelig for barn.

Rengjøring og vedlikehold skal ikke utføres av barn uten tilsyn.

Generell sikkerhet

Denne enheten er ment til bruk i husholdninger og tilsvarende, som: – kjellere, krypkjellere, personalkjøkken i butikker, kontorer og andre arbeidsmiljøer. Merkeplaten er plassert på baksiden av avfukteren. Sørg for at ventilasjonsåpningene ikke er tildekket.

Ikke bruk mekanisk utstyr eller annet for å fremskynde avrimingsprosessen. Følg fabrikantens anvisninger. Enheten skal ikke oppbevares i rom der det finnes antenneskilder (for eksempel åpen ild, gassdrevet utstyr i drift eller elektrisk varmeovn. Må ikke punkteres eller brennes.

Vær oppmerksom på at kuldemedier kan være helt uten lukt. Ikke rengjør enheten med vanddusj og damp. Rengjør enheten med en fuktet myk klut. Bruk kun nøytrale rengjøringsmidler. Ikke bruk skurende produkter, skuresvamp, løsemidler eller metallgjenstander. Hvis strømledningen skades, må den skiftes ut av fabrikanten,

godkjent verksted eller kvalifiserte personer for å unngå fare.

SIKKERHETSANVISNINGER

Installasjon

ADVARSEL



Denne enheten må kun installeres av en kvalifisert person.

Fjern all emballasje.

Ikke installer eller bruk en skadet enhet. Enheten skal installeres, brukes og oppbevares i et rom med en gulvflate større enn 2 m². Følg monteringsanvisningen som leveres med enheten.

Vær alltid forsiktig når du flytter enheten – den er tung! Bruk alltid vernehansker.

Påse at luften kan sirkulere rundt enheten.

Vent i minst 4 timer før enheten tilkoples strømnettet. Dette er for at oljen skal kunne renne tilbake i kompressoren.

Ikke installer enheten nær radiatorer eller andre varmekilder.

Ikke installer enheten slik at den blir stående i direkte sollys.

Strømtilkobling

ADVARSEL



Fare for brann og elektrisk støt. Enheten må koples til en jordet stikkontakt.

Påse at den elektriske informasjonen på merkeplaten samsvarer med strømtilførselen. Hvis ikke må du kontakte elektriker. Bruk alltid korrekt montert stikkontakt.

Ikke bruk grenuttak og skjøteledninger.

Pass på at de elektriske komponentene (f.eks. støpsele, strømledning) ikke skades. Kontakt autorisert servicesenter eller elektriker for å få skiftet de elektriske komponentene. Strømledningen må ligge lavere enn støpselet.

Ikke plugg støpselet i stikkontakten før installeringen er fullført.

Påse at støpselet er tilgjengelig når installeringen er fullført.

Ikke dra i ledningen for å trekke ut støpselet. Hold alltid i støpselet.

Bruk

ADVARSEL



Fare for personskade, brannskade, elektrisk støt eller brann.

Enhetens spesifikasjoner må ikke endres.

Pass på at kjølekretsen ikke blir skadd. Den inneholder propan (R290), en naturgass med god miljøkompatibilitet. Denne gassen er antenbar.

Hvis det oppstår skade på kjølekretsen, må man påse at det ikke er flammer og antennelseskilder i rommet. Luft ut rommet.

Ikke legg antennbare produkter eller gjenstander våte av antennbare produkter nær eller på enheten.

Avfallshåndtering

ADVARSEL



Fare for personskade.

Kople enheten fra strømnettet.

Klipp av strømledningen og kast den.

Denne enhetens kjølemediumkrets er miljøvennlig. Ta kontakt med den lokale gjenvinningsstasjonen for å få informasjon om korrekt kassering av enheten. Ikke skad den delen av kjøleenheten som er nærmest varmeveksleren.

PLASSERE AVFUKTEREN FOR INSTALLASJON

VIKTIG:

2. Installasjon

FØR FØRSTE GANGS BRUK

La maskinen stå i 4 timer før den tas i bruk

Velge et sted

Viktig

1. Avfukteren må brukes i et lukket rom for å oppnå maksimal effekt. Lukk alle dører, vinduer og andre åpninger til rommet. Avfukterens effektivitet avhenger av hvor raskt fuktig luft kommer inn i rommet.
2. Plasser avfukteren på et sted som ikke begrenser luftstrømmen gjennom enhetens front.
3. En avfukter som er i drift i et rom, har liten eller ingen effekt i tilstøtende lager, for eksempel klesskap, med mindre det er tilstrekkelig luftsirkulasjon inn og ut av rommet. Det kan være behov for en ekstra avfukter i det lukkede rommet for å oppnå tilstrekkelig avfukting.
4. Påse at enheten plasseres på et stabil og flatt underlag. Hvis underlaget ikke er stabilt, kan det oppstå vibrasjoner som fører til vannlekkasjer.
5. Det skal være minimum 30 cm avstand rundt enheten.

PRODUKTBSKRIVELSE

3. Produktbeskrivelse

A

1. Frontdeksel
2. Hjul
3. Toppanel

B

1. Filter
2. Kobling for kontinuerlig drenering

C

1. Vanntank

D

1. Toppanel

E

Kontrollpanel

1. POWER-knapp: Slå enheten på eller av
2. TIMER-knapp: Still inn tidsuret, vis tidsuret og avbryt tidsuret.
3. SPEED-knapp: Velg lav eller høy viftehastighet.
4. OPP-knapp: Juster luftfuktigheten eller tiden.
5. NED-knapp: Juster luftfuktigheten eller tiden.
6. MODE-knapp: Fan --- Eco --- Dryer --- Auto --- Dehumidification

F

1. Frontdeksel
2. Høyre deksel
3. Vanntank

G

1. Kontrollpanel
2. Filter
3. Kobling for kontinuerlig drenering
4. Bakre deksel
5. Luftutslipp
6. Venstre deksel
7. Hjul

H

1. La det være minst 50 cm avstand mellom topppanelet og andre gjenstander.
2. La det være minst 30 cm avstand mellom maskinen og andre gjenstander eller vegger.

I

1. Manuell drenering
2. Kontinuerlig drenering

PLASSERING AV AVFUKTEREN

– Avfukteren skal ikke plasseres nær stråleovner eller andre varmekilder, og ikke utsettes for direkte sollys, da dette vil redusere effekten.

– Bør plasseres midt i rommet.



MERK: Hvis avfukteren plasseres i et dusj- eller badrom, skal den være fastmontert. Det er obligatorisk å kontrollere og følge de lokale kravene til el-anlegg for våtrom før bruk.

BRUKE AVFUKTEREN

Hvis avfukteren transporteres liggende, må den plasseres stående og stå i 4 timer før den brukes. Det er svært viktig at oljen renner tilbake inn i kompressoren, ellers kan avfukteren bli alvorlig skadd.

1. Kontroller at vannbeholderen er riktig plassert.
2. Koble avfukteren til en jordet stikkontakt.
3. Velg funksjon eller ønsket luftfuktighet. Se avsnittet om luftfuktighetskontroll.

BRUKSANVISNING

1. Strømknapp: Bruk denne knappen til å slå enheten på og av.
2. Modusknapp: Trykk for å velge ønsket modus. Du kan veksle mellom Normal avfukting, Eco-avfukting, Automatisk avfukting, Ventilasjonsmodus og Klestørkemodus.

ECO-MODUS

Når ECO-MODUS er valgt, er standard luftfuktighet RH 60 %.

a) Når luftfuktigheten er ≥ 60 %, vil enheten fungere som avfukter, og viftehastigheten kan ikke justeres.

- b) Når luftfuktigheten er < 60 %, vil enheten fungere som vifte, og viftehastigheten kan ikke justeres.
c) Luftfuktighetsnivået kan ikke justeres.

VIFTEMODUS

I denne modusen går ikke kompressoren. Viften går på lav hastighet som standard for å sikre ventilasjonen. Viftehastigheten kan justeres, luftfuktighetsnivået kan ikke justeres, og luftfuktigheten (30–90 % RH) vises i displayet.

TØRKEMODUS

I denne modusen går kompressoren kontinuerlig, og viftene går med høy hastighet uavhengig av luftfuktigheten. Tre minutters forsinkelse brukes for kompressoren. Viftehastigheten og luftfuktigheten kan ikke justeres. Luftfuktigheten (30–90 % RH) vises i displayet.

AUTOMODUS

Når AUTOMODUS er valgt, er standard luftfuktighet RH 50 %

- a) Når luftfuktigheten er ≥ 70 %, går kompressoren og viften med maksimal effekt, og viftehastigheten kan ikke justeres.
b) Når luftfuktigheten er mellom 50 og 70 %, vil enheten gå med lavere kapasitet. Viftehastigheten kan ikke justeres.
c) Når luftfuktigheten er < 50 %, vil viften gå med lav hastighet, og viftehastigheten kan ikke justeres.
d) Luftfuktigheten (30–90 % RH) vises i displayet og kan ikke justeres.

AVFUKTINGSMODUS

Avfuktingsmodus velges automatisk når enheten slås på for første gang eller når du velger denne modusen. Viftehastigheten er høy, og du kan trykke på OPP og NED for å justere luftfuktigheten (35–85 %).

3. Stille inn luftfuktighet: I normal modus kan luftfuktigheten stilles inn mellom 35 og 85 % (i trinn på 5 %). Innstillingen brukes bare i avfuktingsmodus.

4. Tidsur: Du kan bestemme hvor lenge enheten skal være i drift eller når den skal aktiveres. Du kan velge 1–24 timer.
5. Viftehastighet: Viftehastigheten kan bare justeres i avfuktingsmodus og ventilasjonsmodus.
6. Barnelås: Trykk inn «Timer» og «Speed» samtidig for å aktivere eller deaktivere barnelåsen.

DRENERE VANN

Når vannbeholderen er full, slås avfukteren av automatisk.

1. Trekk avfukterens støpsel ut av stikkontakten.
2. Tøm vannbeholderen.
3. Sett den tomme vannbeholderen tilbake og kontroller at flottøren beveger seg fritt.
4. Koble avfukteren til strømmettet.

Drenering til avløp

Koble en vannslange til røret på baksiden av avfukteren. Legg den andre enden i avløpet. Sørg for at vannet kan renne fritt nedover.

LUFTFILTER

Luftfilteret sørger for at det ikke kommer støv og smuss inn i maskinen, slik at levetiden forlenges. Filteret må rengjøres regelmessig.

Rengjøring av filteret:

1. Fjern filteret.
2. Vask det med varmt vann og mild såpe. Filteret kan også støvsuges.
3. La filteret tørke, og monter det igjen.

AVRIMING

Avfukteren avrimes automatisk hvis den brukes i rom der temperaturen er lavere enn 18 °C. Avrimingen kan starte og gå en stund (rundt 8 minutter) automatisk hvert 40. minutt, eller lenger.

Ikke slå av bryteren eller trekk ut støpselet mens avrimingen pågår.

Avfukteren har ikke kjølefunksjon. Den genererer varme under drift, og den kan øke temperaturen i rommet med 1 til 4 °C.

VEDLIKEHOLD

- Rengjør enheten med en myk og fuktig klut. Ikke bruk løsemidler eller sterke rengjøringsmidler, det kan skade overflaten på enheten.

SERVICE

Når avfukteren trenger service, må du først ta kontakt med forhandleren.

GARANTI

2 års produktgaranti. Garantien gjelder kun ved fremvisning av kvittering.

OPPBEVARING

Gjør følgende før du setter bort enheten:

1. Påse at vannbeholderen er tom. Når enheten slås på, må du påse at den går i ventilasjonsmodus i minst 30 minutter for å fjerne vannet i enheten.
2. Samle sammen strømledningen.
3. Rengjør filteret.
4. Oppbevares på et rent og tørt sted.

TIPS

Hvis avfukteren brukes i ekstremt fuktig miljø, eller hvis temperaturen er lavere enn +5 °C, stopper avfukteren. Det dannes store mengder is på kjøleslyngen. Slå av avfukteren, og plasser den litt over gulv nivå, slik at isen smelter.

Av og til kan det være nyttig å bruke en vifteovn for å sikre at temperaturen ikke blir lavere enn +10 °C. Selv om MDX14 fungerer i temperaturer ned til +5 °C, øker kapasiteten ved høyere temperaturer, siden varm luft inneholder mer vann.

Hydrostaten har en feilmargin på cirka +/- 5–10 %. Feilmarginen kan være høyere ved lavere temperaturer.

Forvent høyere avfukting om våren/ sommeren, siden uteluften er varmere og fuktigere.

VIKTIG! - Wood's avfuktere må være koplet til en jordet strømkilde. Strømkilden skal være 220–240 V 50 Hz

PROBLEM	LØSNING
Avfukteren starter ikke	<ul style="list-style-type: none"> – Kontroller at avfukteren er tilkoplest strømmettet og at sikringen ikke har løst ut. – Hvis varselampen lyser, kontroller at vannbeholderen er tom og riktig plassert i avfukteren. Kontroller at flottøren kan bevege seg fritt.
Avfukter ikke luften	<ul style="list-style-type: none"> – Kontroller at viften går. – Kontroller at luften kan strømme fritt gjennom avfukteren. Toppristen og luftfilteret skal være rene, og avfukteren skal stå 30 cm fra vegg. – Lytt etter lyd fra kompressoren, men husk at avfukteren kan stoppe når ønsket luftfuktighet er oppnådd. – Kontroller at det ikke har dannet seg et tykt isbelegg på kjølespolene.
Høyt støynivå	<ul style="list-style-type: none"> – Øk avstanden mellom avfukteren og omkringliggende overflater. – Kjølespolene kan berøre hverandre og forårsake vibrasjon. Trekk ut støpsetet, og skill spolene fra hverandre.
Slås ikke av når vannbeholderen er full	– Det er viktig at flottøren beveger seg fritt i vannbeholderen. Gjør den ikke det, vil den ikke respondere på vannivået, og dermed hindres avfukteren i å stanse.
Det kommer ikke vann i beholderen	– Se om det er noe i veien for dryppebrettet over vannbeholderen.
FL	– Vannbeholderen er full. Tom vannbeholderen, og monter den igjen.
E1	– Feil i temperatur-/luftfuktighetssensor. Bytt temperatur-/luftfuktighetssensor.

Hvis disse tiltakene ikke hjelper, må du kontakte forhandleren for å få gjennomført en kontroll og eventuelt reparasjon av avfukteren.

TEKNISKE DATA

	MDX14
Maks. arbeidsområde	40 m ²
Luftgjennomstrømming trinn 1	100 m ³ /t
Luftgjennomstrømming trinn 2	120 m ³ /t
Avfukting ved 20 °C og 70 % RH	6,0 l / 24 t
Avfukting ved 30 °C og 80 % RH	10 l / 24 h
Effekt ved 20 °C og 70 % RH	180 W
Strømforbruk ved 20 °C og 70 % RH	4,3 kWh / 24 t
Tankvolum	1,5 liter
Kuldemedium	R290
Ladning R290	40 g
Spenning	220–240 V
Frekvens	50 Hz
Strøm	1 A
IP-kode	IPX2
Støynivå i desibel	43 dB
Vekt	9,1 kg
Mål i mm, L x B x H	293 x 183 x 493

*Med forbehold om tekniske endringer og forbedringer. Alle verdier er omtrentlige og kan variere med eksterne forhold som temperatur, ventilasjon og luftfuktighet.



MERK:

Registrer produktet på www.warranty-woods.com og les om hvordan du kan få utvidet garanti. Du finner mer informasjon på www.woods.se.

Anbefalte bruksgrenser

Temp. +5 til +35 °C
 Relativ fuktighet: 30 til 90 %
 Anbefalt luftfuktighet:
 ca. 50 % RH

Garanti

2 års garanti mot produksjonsfeil. Garantien gjelder kun ved fremvisning av kvittering. Garantien gjelder kun hvis produktet har blitt brukt i samsvar med instruksjonene og sikkerhetsanvisningene i denne bruksanvisningen. Garantien dekker ikke skader som skyldes feil bruk av produktet.

MERK: Garantien på 2 år gjelder ikke ved kommersiell bruk av enheten.

WOOD'S LAVER EN AF VERDEN'S FØRENDE AFFUGTERE.

Affugtere fra Wood's har i mange år været førende på markedet. Affugterne er velegnede til brug i de mest krævende miljøer, da affugtningskapaciteten er god selv ved forskellige temperaturer og fugtighedsniveauer. De bruges med gode resultater på steder, der bliver fugtige, såsom kældre, garager og sommerhuse. De er også fremragende til tørring af vasketøj, lofter, poolrum og vaskerum. De er effektive og har et lavt energiforbrug. De slider ikke på tøj.

Mængden af fugt, som affugteren fjerner, afhænger af temperatur, fugtniveau og placering. Ydre vejrforhold kan også påvirke affugterens ydelse. I koldt vejr mindskes den absolutte luftfugtighed, og dermed reduceres den mængde fugt, som affugteren suger ud af luften. (Den relative luftfugtighed kan stadig være høj.) Affugtere fra Wood's er driftssikre og beregnet til brug i mange år.

Affugtere fra Wood's er driftssikre og beregnet til kontinuerlig brug i mange år.

FOR HØJ LUFTFUGTIGHED ER FARLIGT

Der opstår kondens, når vanddamp i luften kommer i kontakt med en kold overflade som f.eks. et koldt vindue eller en kold væg. Når vanddampen afkøles, opstår der kondens, og der dannes vanddråber. Ved høj luftfugtighed kan luften blive kvalm, og der kan dannes skimmel, hvilket kan skade hus og møbler. Dette miljø kan endda gøre beboerne syge. Mider og edderkopper trives også i fugtige omgivelser. En affugter med høj ydelse skaber et godt, sundt fugtighedsniveau. For at opnå størst effektivitet skal døre og vinduer i de rum, der affugtes, holdes lukket. Fjerner lugt, tørrer træ og fjerner fugt fra friluftsudstyr.

1. SIKKERHEDSADVARSEL



Brændbart materiale. Dette apparat indeholder R290/propan, som er et brændbart kølemiddel.



Sikkerhedsoplysninger kan ses i manualen.



Læs den tekniske vejledning



Læs betjeningsvejledningen.

SIKKERHEDSOPLYSNINGER

Læs de medfølgende instruktioner omhyggeligt, inden apparatet installeres og tages i brug. Producenten er ikke ansvarlig, hvis forkert installation og brug forårsager person- og tingskade. Opbevar altid vejledningen sammen med apparatet til fremtidig reference.

Børns og udsatte personers sikkerhed

ADVARSEL



Risiko for personskade eller permanent funktionsnedsættelse. Dette apparat kan anvendes af børn i alderen 8 år og derover samt personer med nedsatte fysiske, sensoriske eller mentale evner eller manglende erfaring og viden, hvis de superviseres eller har fået instruktion i at bruge apparatet på en sikker måde og forstår, hvilken fare det indebærer.

Lad ikke børn lege med apparatet.

Børn under 3 år skal holdes væk fra apparatet, medmindre de hele tiden overvåges.

Al emballage skal holdes væk fra børn.

Rengøring og brugervedligeholdelse må ikke foretages af børn uden opsyn.

Generelle sikkerhedsforskrifter
Dette apparat er beregnet til brug i husholdninger og til lignende anvendelser, eksempelvis kældre og krybegange samt personalekøkkener i butikker, på kontorer og i andre arbejdsmiljøer. Mærkepladen sidder på bagsiden eller siden af affugteren. Ventilationsåbningerne må ikke blokeres.

Der må ikke anvendes mekaniske anordninger eller andre midler til at fremskynde afrimningsprocessen, bortset fra dem, producenten anbefaler.

Apparatet må ikke opbevares i et lokale, hvor der anvendes antændingskilder, eksempelvis åben ild, gasapparater eller et elektrisk varmeapparat. Må ikke punkteres eller brændes. Vær opmærksom på, at kølemidler ikke nødvendigvis kan lugtes. Brug ikke vand eller damp til at rengøre apparatet. Rengør apparatet med en fugtig, blød klud. Brug kun neutrale rengøringsmidler. Brug ikke slibemidler, slibende rengørings-svampe, opløsningsmidler eller metalgenstande.

Hvis elledningen er beskadiget, skal den udskiftes af fabrikanten,

et autoriseret servicecenter eller en tilsvarende kvalificeret person for at undgå fare.

SIKKERHEDSANVISNINGER

Installation

ADVARSEL



Dette apparat må kun installeres af en kvalificeret person.

Fjern al emballagen.

Apparatet må ikke installeres eller anvendes, hvis det er beskadiget.

Apparatet skal installeres, betjenes og opbevares i et lokale med et gulvareal, der er større end 2 m².

Følg installationsvejledningen, der følger med apparatet.

Vær altid forsigtig, når du flytter apparatet, da det er tungt. Brug altid sikkerhedshandsker.

Sørg for, at luften kan cirkulere omkring apparatet.

Vent mindst 4 timer, før apparatet tilsluttes til strømforsyningen.

Dette er for at give olien mulighed for at flyde tilbage i kompressoren.

Apparatet må ikke installeres tæt på radiatorer eller andre varmekilder.

Apparatet må ikke installeres et sted, hvor der er direkte sollys.

Elektrisk forbindelse

ADVARSEL



Risiko for brand og elektrisk stød.

Apparatet skal tilsluttes til en jordet stikkontakt.

Sørg for, at strømoplysningerne på mærkepladen er i overensstemmelse med strømforsyningen. Hvis ikke, skal du kontakte en elektriker. Brug altid en korrekt installeret og stødsikker stikkontakt.

Brug ikke adaptere til flere stik og forlængerkabler.

Sørg for ikke at beskadige de elektriske komponenter (f.eks. netstik, strømkabel).

Kontakt et autoriseret servicecenter eller en elektriker for at ændre de elektriske komponenter.

Netkablet skal forblive under netstikkets niveau.

Tilslut først netstikket til stikkontakten som det sidste i forbindelse med installationen.

Sørg for, at der er adgang til netstikket efter installationen.

Træk ikke i strømkablet for at frakoble apparatet. Træk altid i netstikket.

Anvendelse

ADVARSEL



Risiko for personskade, forbrændinger, elektrisk stød eller brand.

Du må ikke ændre specifikationen for dette apparat.

Pas på ikke at beskadige kølemiddelkredsløbet. Det indeholder propan (R290), som er en naturgas med en høj grad af miljøvenlighed. Denne gas er brændbar.

Hvis der opstår skader på kølemiddelkredsløbet, skal du sørge for, at der ikke er flammer og antændelskilder i lokalet.

Udluft lokalet. Placer ikke brændbare produkter eller genstande, der er gennemvædet med brændbare væsker, i nærheden af eller på apparatet.

Placer ikke brændbare produkter eller genstande, der er gennemvædet med brændbare væsker, i nærheden af eller på apparatet.

Træk apparatets stik ud af stikkontakten.

Fjern strømkablet, og kassér det. Kølemiddelkredsløbet i dette apparat er ozonvenligt. Kontakt kommunen for at få oplysninger om korrekt bortskaffelse af produktet.

Den del af køleenheden, der er i nærheden af varmeveksleren, må ikke beskadiges.

Bortskaffelse

ADVARSEL



Risiko for personskade.

INSTALLATION AF AFFUGTEREN

VIGTIGT:

2. Installation

INDEN BRUG FØRSTE GANG

Lad maskinen stå oprejst i 4 timer inden brug.

Valg af placering

Vigtigt

1. Affugteren skal betjenes i et lukket område for at være mest effektiv. Luk alle døre, vinduer og andre udvendige åbninger til lokalet. Affugterens effektivitet afhænger af, hvor hurtigt den fugtige luft kommer ind i lokalet.
2. Placer affugteren et sted, hvor luftstrømmen gennem fronten af apparatet ikke begrænses.
3. En affugter, der anvendes i et rum, har ringe eller ingen effekt på tørring af et tilstødende lukket opbevaringsområde, såsom et skab, medmindre der er tilstrækkelig luftcirkulation ind og ud af området. Det kan være nødvendigt at installere endnu en affugter i det lukkede område for at opnå en tilfredsstillende affugtning.
4. Sørg for, at apparatet står på et stabilt og plant underlag. Hvis underlaget ikke er stabilt, er der risiko for overdreven vibration, og at vandet siver ud.
5. Der skal være mindst 30 cm frirum omkring apparatet.

PRODUKTBEKRIVELSE

3. Produktbeskrivelse

A

1. Frontpanel
2. Hjul
3. Toppanel

B

1. Filter
2. Kontinuerlig afledning

C

1. Vandbeholder

D

1. Toppanel

E

Betjeningspanel

1. Tænd/sluk-knap: Til tænding og slukning af apparatet
2. Timer-knap: Til indstilling, visning og annullering af timeren.
3. Hastighedsknap: Blæseren kan køre med lav eller høj hastighed.
4. Op-knap: Til indstilling af fugtigheden eller timeren.
5. Ned-knap: Til indstilling af fugtigheden eller timeren.
6. Tilstandsknap (MODE): Fan (Blæser) --- Eco (Strømsparetilstand) --- Dryer (Tørring) --- Auto --- Dehumidification (Affugtning)

F

1. Frontpanel
2. Højre panel
3. Vandbeholder

G

1. Betjeningspanel
2. Filter
3. Kontinuerlig afledning
4. Bagpanel
5. Luftudtag
6. Venstre panel
7. Hjul

H

1. Toppanelet skal være mindst 50 cm væk fra andre genstande.
2. Der skal være en afstand på over 30 cm mellem maskinen og de omgivende genstande eller vægge.

I

1. Manuel afledning
2. Kontinuerligt afledning

PLACERING AF AFFUGTEREN

- Affugteren må ikke placeres i nærheden af radiatorer eller andre varmekilder eller udsættes for direkte sollys, da det vil reducere ydelsen.
- Det er bedst at placere den i midten af rummet/området.



BEMÆRK: Hvis affugteren placeres i et bruse- eller badeområde, bør den fastgøres. Det er obligatorisk at læse og overholde de lokale forskrifter vedrørende elektricitet i baderum, inden affugteren tages i brug.

BRUG AF AFFUGTEREN

Hvis affugteren transporteres liggende, skal den stå oprejst i 4 timer, inden den tages i brug. Det er meget vigtigt, at olien løber tilbage i kompressoren, da affugteren ellers kan blive alvorligt beskadiget.

1. Kontrollér, at vandbeholderen er placeret korrekt.
2. Tilslut affugteren til en jordet strømkilde.
3. Indstil funktionen eller det ønskede fugtighedsniveau. Se afsnittet om hygrostaten.

BETJENINGSVEJLEDNING

1. Tænd/sluk-knap: Denne knap bruges til at tænde og slukke for apparatet.
2. Tilstandsknap (Mode): Tryk på denne knap for at vælge den ønskede tilstand. Den kan skifte mellem normal affugtning, strømsparetilstand, automatisk affugtning, ventilationstilstand og tilstanden til tørring af tøj.

STRØMSPARETILSTAND (ECO)

Når apparatet arbejder i strømsparetilstand, er standardfugtighedsniveauet 60 % RH.

- a) Når den omgivende luftfugtighed er ≥ 60 %, vil apparatet fungere som affugter, og blæserhastigheden kan ikke justeres.
- b) Når den omgivende luftfugtighed er < 60 %, vil apparatet fungere som blæser, og blæserhastigheden kan ikke justeres.
- c) Fugtighedsniveauet kan ikke justeres.

BLÆSERTILSTAND (FAN)

I denne tilstand vil kompressoren ikke fungere, blæseren kører med lav hastighed og kun for at ventilere, blæserhastigheden kan ikke justeres, og fugtighedsniveauet kan ikke indstilles. Den omgivende luftfugtighed (30-90 % RH) vises på displaypanelet.

TØRRETILSTAND (DRY)

I denne tilstand kører kompressoren kontinuerligt, og blæseren kører ved høj hastighed uanset luftfugtigheden i rummet. Apparatet har en funktion til beskyttelse af kompressoren, der medfører 3 minutters startforsinkelse, blæserhastigheden og fugtighedsniveauet kan ikke justeres, den omgivende luftfugtighed (30-90 % RH) vises på displaypanelet.

AUTO-TILSTAND

Når apparatet arbejder i auto-tilstand, er standardfugtigheden 50 % RH.

- a) Når den omgivende luftfugtighed er ≥ 70 %, vil kompressoren og blæseren køre med maksimal kapacitet, og blæserhastigheden kan ikke justeres.
- b) Når den omgivende luftfugtighed er mellem 50 og 70 %, kører apparatet med lavere kapacitet. I denne tilstand kan blæserhastigheden ikke justeres.
- c) Når den omgivende luftfugtighed er < 50 %, vil apparatet fungere som blæser ved lav hastighed, og blæserhastigheden kan ikke justeres.
- d) Den omgivende luftfugtighed (30-90 % RH) vises på displaypanelet, og fugtigheden kan ikke justeres.

AFFUGTNINGSTILSTAND (DEHUMIDIFICATION)

Apparatet vil køre i affugtningstilstand, når det tændes første gang, eller der kan vælges en tilstand. Blæserhastigheden

er som standard indstillet til høj. Tryk på OP- eller NED-knappen for at indstille fugtigheden (35-85 %).

3. Indstilling af luftfugtighed: Kun i normal tilstand. Luftfugtigheden kan indstilles til mellem 35 % og 85 % (i trin a 5 %). Luftfugtigheden kan kun indstilles i affugtningstilstand.
4. Timer: Du kan indstille, hvor længe apparatet skal køre, eller hvornår det skal starte. Du kan vælge 1-24 timer.
5. Blæserhastighed: Blæserhastigheden kan kun indstilles i affugtningstilstand og i ventilationstilstand.
6. Børnesikring: Tryk samtidig på "Timer" og "Speed" for at deaktivere børnesikringsfunktionen.

VANDAFLEDNING

Når vandbeholderen er fuld, slukkes affugteren automatisk.

1. Frakobl affugteren fra strømkilden.
2. Tøm vandbeholderen.
3. Sæt den tomme vandbeholder tilbage, og kontrollér, at flyderen kan bevæge sig frit.
4. Tilslut affugteren til strømkilden.

Direkte vandafledning

Slut en vandslange til studsens på affugterens bagside. Før den anden ende af slangen ned i et afløb. Sørg for, at vandet kan løbe nedad.

LUFTFILTER

Luftfiltret forhindrer støv og snavs i at trænge ind i apparatet, hvilket forlænger dets levetid. Det er vigtigt, at filteret rengøres regelmæssigt.

Rengøring af filteret:

1. Afmonter filtret.
2. Vask det i varmt vand tilsat et mildt rengøringsmiddel. Alternativt kan du støvsuge filtret.
3. Lad filtret tørre, og sæt det tilbage i apparatet.

AFRIMNING

Affugterens fordampner udfører automatisk afrimning, hvis apparatet kører ved en rumtemperatur på under 18 °C. Afrimningsfunktionen starter automatisk med 40 minutters mellemrum eller længere og kører i et stykke tid (ca. 8 minutter).

Undlad at slukke på kontakten eller trække stikket ud af affugteren, mens den afrimer.

Affugteren har ikke nogen kølefunktion. Den genererer varme under brug og kan øge temperaturen i rummet med 1 til 4 °C.

VEDLIGEHOLDELSE

- Rengør apparatet med en fugtig blød klud. Brug ikke opløsningsmidler eller stærke rengøringsmidler, da de kan beskadige apparatets overflade.

SERVICE

Hvis affugteren trænger til service, skal du først kontakte din lokale forhandler.

GARANTIER

2 års produktgaranti. Bemærk, at garantien kun er gyldig ved fremvisning af kvittering.

OPBEVARING

Før apparatet stilles væk, skal du gøre følgende:

1. Sørg for, at vandbeholderen er tom. Når apparatet tændes, skal du sørge for, at det kører i ventilationstilstand i mindst 30 minutter for at fjerne vandet i apparatet.
2. Rul ledningen op i en løs løkke.
3. Rengør filtret.
4. Opbevar apparatet på et rent og tørt sted.

TIPS

Når affugteren bruges i ekstremt fugtige miljøer, eller hvis temperaturen er under +5 °C, holder affugteren op med at virke. Det skyldes, at der ophobes en stor mængde is på kølespiralen. Sluk for affugteren, og stil den lidt over gulvhøjde, så isen kan smelte væk.

Nogle gange kan det være nyttigt at bruge en blæservesvarmer for at sikre, at temperaturen ikke falder til under +10 °C. MDX14 kan køre ved temperaturer helt ned til +5 °C, men apparatets kapacitet øges, jo højere temperaturen er, fordi varm luft kan indeholde mere vand end kold luft.

Hygrostaten har en fejlmargen på ca. +/- 5-10 %. Ved lave temperaturer øges fejlmarginen muligvis yderligere.

Det må forventes, at affugtningsskapaciteten er højere om efteråret og om sommeren, fordi luften udenfor er varmere og mere fugtig.

VIGTIGT! - Affugtere fra Wood's skal være tilsluttet en jordnet strømkilde. Strømkilden skal være på 220 V – 240 V, 50 Hz

PROBLEM	LØSNING
Affugteren starter ikke.	<ul style="list-style-type: none"> - Kontrollér, at affugteren er strømforsynet, og at sikringen ikke er gået. - Hvis advarselslampe er tændt, skal du kontrollere, at vandbeholderen er tom og korrekt placeret i affugteren. - Kontrollér, at flyderen kan bevæge sig frit.
Affugteren affugter ikke.	<ul style="list-style-type: none"> - Kontrollér, at blæseren drejer rundt. - Kontrollér, at luften kan strømme frit gennem affugteren. Topgitteret og luftfiltret skal være rengjorte, og affugteren skal stå 30 cm fra væggen. - Lyt efter lyden af kompressoren, men husk, at affugteren måske stopper, når den omgivende luftfugtighed når den indstillede fugtighed. - Kontrollér, at der ikke er dannet et tykt lag is på kølespiralerne.
Højt støjniveau	<ul style="list-style-type: none"> - Øg afstanden mellem affugteren og de omkringliggende overflader. - Kølespiralerne berører måske hinanden og forårsager vibrationer. Kobl affugteren fra strømmen, og adskil spiralerne.
Slukker ikke, når vandbeholderen er fyldt	<ul style="list-style-type: none"> - Det er vigtigt, at flyderen bevæger sig frit i vandbeholderen. Hvis ikke, kan den ikke reagere på vandstanden og kan derfor ikke sørge for, at affugteren stopper.
Der kommer ikke vand ned i beholderen.	<ul style="list-style-type: none"> - Kontrollér, om drypbakken over vandbeholderen er blokeret.
FL	<ul style="list-style-type: none"> - Vandbeholderen er fuld. Tøm vandbeholderen, og sæt den i igen.
E1	<ul style="list-style-type: none"> - Temperatur-/fugtsensoren fungerer ikke. Udskift temperatur-/fugtsensoren.

Hvis intet af ovenstående virker, skal du kontakte din nærmeste forhandler for at få efterset og eventuelt repareret affugteren.

TEKNISKE DATA

	MDX14
Maks. arbejdsareal	40 m ²
Luftstrøm trin 1	100 m ³ /h
Luftstrøm trin 2	120 m ³ /h
Affugtning ved 20 °C og 70 % RH	6,0 l i døgnet
Affugtning ved 30 °C og 80 % RH	10 l i døgnet
Effekt ved 20 °C og 70 % RH	180 W
Strømförbrug ved 20 °C og 70 % RH	4,3 kWh i døgnet
Beholdervolumen	1,5 liter
Kølemiddel	R290
Påfyldning R290	40 g
Spænding	220-240 V
Frekvens	50 Hz
Strømstyrke	1 A
IP-klassificering	IPX2
Støjniveau i decibel	43 dB
Vægt	9,1 kg
Mål i mm, L x B x H	293 x 183 x 493

*Der kan ske tekniske ændringer og forbedringer. Alle værdier er omtrentlige og kan variere på grund af ydre omstændigheder, såsom temperatur, ventilation og luftfugtighed.

**BEMÆRK!**

Registrer dit produkt på www.warranty-woods.com, og læs om, hvordan du får udvidet garanti. Du kan få flere oplysninger på www.woods.se.

Anbefalede grænseværdier ved brug:

Temp. +5° C til +35 °C
 Relativ luftfugtighed: 30 % til 90 %
 Anbefalet fugtighedsniveau:
 ca. 50 % RH

Garanti

2 års forbrugergaranti mod produktionsfejl. Bemærk, at garantien kun er gyldig ved fremvisning af kvittering. Garantien gælder kun, hvis produktet anvendes i overensstemmelse med instruktionerne og sikkerhedsanvisningerne i denne manual. Garantien dækker ikke skader, som skyldes forkert håndtering af produktet.

BEMÆRK: Den 2-årige garanti gælder kun forbrugere og gælder ikke kommerciel brug af apparatet.

WOOD'S ON YKSI MAAILMAN JOHTAVISTA KOSTEUDENPOISTAJAMERKEISTÄ.

Wood'sin kosteudenpoistajat tunnetaan markkinajohtajana usean vuoden ajalta. Nämä kosteudenpoistajat sopivat käytettäväksi haastavimmisakin ilmastoissa, koska niiden kosteudenpoistokyky on hyvä eri lämpötiloissa ja kosteustasoissa. Niitä käytetään hyvin tuloksin kosteissa tiloissa, kuten kellareissa, autotalleissa tai kesämökeissä. Ne sopivat myös erinomaisesti vaatteiden, ullakoiden, uima-allastilojen ja pyykinpesutilojen kuivatukseseen, sillä ne ovat tehokkaita ja kuluttavat vain vähän energiaa. Ei kuluta vaatteita.

Laitteen poistaman kosteuden määrä riippuu lämpötilasta, kosteustasosta ja koneen sijainnista. Myös ulkoiset sääolosuhteet saattavat vaikuttaa kosteudenpoistajan toimintaan. Kylmällä säällä absoluuttinen kosteus vähenee ja kosteudenpoistajan ilmasta poistaman kosteuden määrä vähenee vastaavasti. (Suhteellinen kosteus saattaa silti olla korkealla tasolla.) Wood'sin kosteudenpoistajia voidaan käyttää turvallisesti ja useiden vuosien ajan.

Wood'sin kosteudenpoistajia voidaan käyttää turvallisesti ja jatkuvasti useiden vuosien ajan.

LIALLINEN ILMAN KOSTEUS MUODOSTAA VAARAN

Tiivistymistä tapahtuu, kun ilmassa oleva vesihöyry joutuu kosketuksiin kylmän pinnan, kuten kylmän ikkunan tai seinän, kanssa. Kun vesihöyry jäähtyy, tapahtuu tiivistyminen ja muodostuu vesipisaroita. Kun ilmankosteus on korkea, ilmasta voi tulla ummehtunutta ja voi muodostua hometta, mikä aiheuttaa vahinkoa talolle ja kalusteille. Tällainen ympäristö voi jopa sairastuttaa asukkaita. Lisäksi punkit ja hämähäkit viihtyvät kosteassa ympäristössä. Tehokas kosteudenpoistaja pitää kosteustason hyvällä ja terveellisellä tasolla. Paras hyöty saadaan, kun kuivattavan tilan ovet ja ikkunat pidetään kiinni. Poistaa hajuja, kuivattaa puuta ja poistaa kosteutta ulkoilvarusteista.

1. TURVALLISUUS- VAROITUKSET



Tulenarkaa materiaalia. Laite sisältää R290-propania, joka on helposti syttyvä kylmäaine.



Katso turvallisuustiedot tästä käsikirjasta.



Lue tekninen käsikirja



Lue käyttäjän käsikirja.

TURVALLISUUSTIEDOT

Lue mukana toimitetut ohjeet huolellisesti ennen laitteen asentamista ja käyttöä. Valmistaja ei ole vastuussa, jos virheellinen asennus ja käyttö aiheuttavat vammoja ja vahinkoja. Säilytä ohjeet aina laitteen kanssa myöhempää käyttöä varten.

Lasten ja toimintakyvyltään heikkojen ihmisten turvallisuus



VAARA

Vamman tai pysyvän vamman riski. Vähintään 8-vuotiaat lapset sekä henkilöt, joilla on heikentynyt fyysinen, psyykinen tai henkinen toimintakyky tai vähän kokemusta tai osaamista, voivat käyttää laitetta, jos heille on annettu ohjeet laitteen turvallisesta käytöstä ja he ymmärtävät käytön riskit. Älä anna lasten leikkiä laitteella.

Alle 3-vuotiaat lapset on pidettävä loitolla laitteesta, ellei heitä valvota jatkuvasti.

Säilytä kaikki pakkausmateriaalit poissa lasten ulottuvilta. Lapset eivät saa puhdistaa laitetta tai tehdä ylläpitotoimia ilman valvontaa.

Yleinen turvallisuus

Laite on tarkoitettu käytettäväksi kotitalouksissa ja vastaavissa käyttökohteissa, kuten kellareissa, ryömintätiloissa, myymälöiden henkilökunnan keittiötiloissa, toimistoissa ja muissa työympäristöissä. Arvokilpi sijaitsee kosteudenpoistajan takana tai sivulla.

Älä peitä tuuletusaukkoja.

Älä nopeuta sulatusprosessia käyttämällä mekaanisia laitteita tai muita keinoja, paitsi valmistajan suosittelemaa.

Laitetta ei saa säilyttää huoneessa, jossa on toimivia sytytysläheteitä, esim. avotuli tai käynnissä oleva kaasulaite tai sähkölämmitin. Ei saa puhkaista tai polttaa.

Huomaa, että kylmäaineissa ei välttämättä ole tuoksua. Älä puhdistaa laitetta vesisuihkulla tai -höyryllä. Puhdistaa laite kostealla pehmeällä liinalla. Käytä vain neutraaleja pesuaineita. Älä käytä hankaavia tuotteita, hankaavia puhdistus tyynejä, liuottimia tai metalliesineitä.

Jos virtajohto vahingoittuu, valmistajan, sen valtuuttaman huollon tai vastaavan pätevän henkilön on vaihdettava johto vaaran välttämiseksi.

TURVALLISUUSOHJEET**Asennus****VAARA**

Laitteen saa asentaa vain pätevä henkilö.

Poista kaikki pakkausmateriaalit. Älä asenna tai käytä vahingoittanutta laitetta. Laitteen asennus-, käyttö- ja varastointitilan pinta-alan on oltava suurempi kuin 2 m². Noudata laitteen mukana toimitettuja asennusohjeita. Ole varovainen, kun siirrät laitetta, koska se on raskas. Käytä aina suojakäsineitä.

Varmista, että ilma voi vaihtua laitteen ympärillä.

Odota vähintään 4 tuntia, ennen kuin kytket laitteen virtalähteeseen. Odotusaikana öljy virtaa takaisin kompressoriin. Älä asenna laitetta lämpöpattereiden tai muiden lämmönlähteiden lähelle. Älä asenna laitetta suoraan auringonvaloon.

Sähköliitântä**VAARA**

Tulipalon ja sähköiskun vaara. Laite on kytkettävä maadoitettuun pistorasiaan. Varmista, että virtalähde vastaa arvokilven sähkötietoja. Jos ei, ota yhteyttä sähköasentajaan. Käytä aina oikein asennettua iskunkestävää pistorasiaa. Älä käytä monen pistorasian jakajia tai jatkojohtoja. Varmista, ettei mikään aiheuta vaurioita sähkökomponenteille (esim. verkkovirtapistoke, verkkovirtajohto).

Ota yhteyttä valtuutettuun huoltoon tai sähköasentajaan, jos sähkökomponentteihin on tarpeen tehdä muutoksia.

Virtajohtoon tulee olla alempana kuin pistoke.

Kytke verkkovirtapistoke pistorasiaan vasta asennuksen jälkeen.

Varmista, että pistokkeelle on vapaa pääsy asennuksen jälkeen. Älä irrota virtajohtoa johdosta vetämällä. Vedä aina pistokkeesta.

Käyttö**VAARA**

Vamman, palovamman, sähköiskun ja tulipalon vaara.

Älä muuta laitteen teknisiä määrittämiä.

Varo vahingoittamasta kylmäainepiiriä. Se sisältää propaania (R290), luonnollista kylmäainetta, jonka ympäristövaikutukset ovat vähäiset. Kaasu on helposti syttyvää.

Jos kylmäainepiiri vahingoittuu, varmista, että tilassa ei ole avotulta tai sytytyslähteitä. Tuuleta tila. Älä laita tulenarkoja tuotteita tai helposti syttyvällä tuotteella kostutettuja esineitä laitteen lähelle tai päälle.

Hävittäminen**VAARA**

Vamman vaara. Irrota laite verkkovirrasta. Katkaise virtajohto ja hävitä se. Laitteen kylmäainepiiri ei vahingoita otsonikerrosta.

KOSTEUDENPOISTAJAN VALMISTELU ASENNUSTA VARTEN

TÄRKEÄÄ:

2. Asennus

ENNEN ENSIMMÄISTÄ KÄYTTÖÄ

Anna laitteen olla pystyasennossa 4 tuntia ennen käyttöä

Paikan valinta

Tärkeää

1. Kosteudenpoistaja toimii parhaiten suljetussa tilassa. Sulje kaikki ovet, ikkunat ja muut ulkotilaan vievät aukot. Kosteudenpoistajan tehokkuus riippuu siitä, miten nopeasti tilaan tulee kosteutta.
2. Sijoita kosteudenpoistaja paikkaan, jossa ilma voi virrata vapaasti laitteen etupuolella.
3. Kun kosteudenpoistajaa käytetään huoneessa, se ei juurikaan vaikuta tilassa oleviin suljettuihin säilytystiloihin, esim. komeroihin, ellei kyseisessä tilassa ole riittävää ilmanvaihtoa sisään ja ulos. Toisen kosteudenpoistajan asentaminen voi olla tarpeen suljetun säilytystilan kuivaamiseen.
4. Varmista, että laite on sijoitettu vakaalle ja tasaiselle pinnalle. Jos alusta ei ole vakaa, vaarana on liiallinen tärinä ja veden vuotaminen.
5. Laitteen ympärillä pitäisi olla vähintään 30 cm vapaata tilaa.

TUOTTEEN KUVAUS

3. Tuotteen kuvaus

A

1. Kotelo edestä
2. Pyörät
3. Yläpaneeli

B

1. Suodatin
2. Jatkuvan vedenpoiston aukko

C

1. Vesisäiliö

D

1. Yläpaneeli

E

Ohjauspaneeli

1. Virtapainike (POWER): Laitteen käynnistäminen ja pysäyttäminen
2. Ajastin (TIMER): Ajastimen asetus, ajastimen tarkistus ja ajastuksen peruutus.
3. Nopeus (SPEED): Puhallin toimii matalalla tai korkealla nopeudella.
4. Ylös (UP): Kosteuden tai ajastuksen asettaminen.
5. Alas (DOWN): Kosteuden tai ajastuksen asettaminen.
6. Tila (MODE): Tuuletus (Fan) --- Energiansäästö (Eco) --- kuivaus (Dryer) ---automaattinen (Auto) --- Kosteudenpoisto

F

1. Kotelo edestä
2. Kotelo oikealta
3. Vesisäiliö

G

1. Ohjauspaneeli
2. Suodatin
3. Jatkuvan vedenpoiston aukko
4. Kotelo takaa
5. Ilman poistoaukko
6. Kotelo vasemmalta
7. Pyörä

H

1. Varaa yläpaneelin ja muiden esineiden välille vähintään 50 cm tilaa.
2. Sijoita laite yli 30 cm:n etäisyydelle ympäröivistä esineistä ja seinistä.

I

1. Manuaalinen tyhjennys
2. Jatkuva vedenpoisto

KOSTEUDENPOISTAJAN SIIJOITTAMINEN

- Kosteudenpoistajaa ei saa sijoittaa lämpöpatterin tai muun lämmönlähteen lähelle tai altistaa suoralle auringonvalolle, koska se vähentää suorituskykyä.
- Ihanteellinen paikka on keskellä huonetta/ aluetta.



HUOMAA: Jos kosteudenpoistaja sijoitetaan suihku- tai kylpytilaan, se on kiinnitettävä paikalleen. Ennen käyttöä on tarkistettava paikalliset kosteiden tilojen sähkömääräykset ja noudatettava niitä.

KOSTEUDENPOISTAJAN KÄYTTÖ

Jos kosteudenpoistajaa on kuljetettu vaakasuunnassa, anna sen olla pystyasennossa 4 tuntia ennen käyttämistä. On erittäin tärkeää, että öljy valuu takaisin kompressoriin, muuten laitteeseen voi tulla vakava vika.

1. Tarkasta, että vesisäiliö on oikein paikallaan.
2. Liitä kosteudenpoistaja maadoitettuun virtalähteeseen.
3. Aseta toiminto tai haluttu kosteustaso. Katso kosteuden säätöä koskeva kappale.

KÄYTTÖOPAS

1. Virtapainike (Power): Laitteen käynnistämiseen ja sammuttamiseen.
2. Tila-painike (Mode): Valitse haluttu tila painamalla. Valittavissa ovat normaali kosteudenpoisto, energiansäästötila, automaattinen kosteudenpoisto, tuuletustila ja vaatteiden kuivaustila.

ENERGIANSÄÄSTÖTILA

Kun laite toimii energiansäästötilassa, oletusarvoinen kosteustaso on RH 60 %.

- a) Kun ympäristön kosteus on $\geq 60\%$,

laite toimii kosteudenpoistotilassa, ja puhaltimen nopeus ei ole säädettävissä.

- b) Kun ympäristön kosteus on $< 60\%$, laite toimii puhaltimena, ja puhaltimen nopeus ei ole säädettävissä.

- c) Kosteustaso ei ole säädettävissä.

PUHALLUSTILA

Tässä tilassa kompressori ei toimi, ja puhallin toimii oletusarvoisesti matalalla nopeudella pelkkää tuuletusta varten. Puhaltimen nopeus on säädettävissä, mutta kosteustaso ei voi asettaa. Ympäristön kosteustaso (30–90 % RH) näkyy näytössä.

KUIVAUSTILA

Tässä tilassa kompressori toimii jatkuvasti ja puhallin toimii korkealla nopeudella riippumatta tilan kosteudesta. Kompressorin kolmen minuutin viivesuojatoiminto on käytössä, puhaltimen nopeutta ja kosteuden tasoa ei voi säätää ja ympäristön kosteustaso (30–90 % RH) näkyy näytössä.

AUTO-TILA

Kun laite toimii AUTO-tilassa, oletusarvoinen kosteustaso on RH 50 %.

- a) Kun ympäristön kosteus on $\geq 70\%$, laite toimii tehokkaassa kosteudenpoistotilassa, ja puhaltimen nopeus ei ole säädettävissä.
- a) Kun ympäristön kosteus on yli $\geq 70\%$, puhallin toimii maksimiteholla, ja puhaltimen nopeus ei ole säädettävissä.
- b) Kun ympäristön kosteus on 50 – 70 %, laite toimii matalalla teholla, ja tässä tilassa puhaltimen nopeus ei ole säädettävissä.
- d) Ympäristön kosteustaso (30–90 % RH) näkyy näytössä, ja kosteustaso ei ole säädettävissä.

KOSTEUDENPOISTOTILA

Laite toimii kosteudenpoistotilassa, laite käynnistetään ensimmäisen kerran tai tila valitaan laitteesta. Puhaltimen nopeus on oletusarvoisesti korkea, ja kosteusasetusta voi säätää painamalla nuolipainikkeista YLÖS tai ALAS (35–85 %).

3. Kosteusasetukset: Vain normaalitilassa, vaakasuora

kosteuden liukuvalitsin: Kosteus voidaan asettaa välillä 35–85 % (5 % välein). Kosteusasetus on voimassa vain kosteudenpoistotilassa.

4. Ajastin: Voit määrittää, kuinka kauan laite on käynnissä tai milloin se käynnistyy. Ajastus voi olla 1–24 tuntia.
5. Puhaltimen nopeus: Nopeuspainiketta voi käyttää vain kosteudenpoisto- ja tuuletustilassa.
6. Lapsilukko: Lapsilukko lukitaan ja avataan painamalla yhtä aikaa ajastin- ja nopeuspainikkeita (Timer ja Speed).

VEDEN TYHJENNYS

Kun vesisäiliö on täynnä, kosteudenpoistaja sammuu automaattisesti.

1. Irrota kosteudenpoistaja virtalähteestä.
2. Tyhjennä vesisäiliö.
3. Laita tyhjä vesisäiliö takaisin ja tarkista, että uimuri liikkuu vapaasti.
4. Liitä kosteudenpoistaja virtalähteeseen.

Suora veden tyhjennys

Kytke vesiletku kosteudenpoistajan takana olevaan putkeen. Johda toinen pää viemäriin. Varmista, että vesi pääsee valumaan painovoiman vaikutuksesta alaspäin.

ILMANSUODATIN

Ilmansuodatin estää pölyn ja lian pääsyn laitteeseen ja pidentää sen käyttöikä. On tärkeää, että suodatin puhdistetaan säännöllisesti.

Suodattimen puhdistus:

1. Poista suodatin.
2. Pese se lämpimällä vedellä ja miedolla pesuaineella. Suodattimen voi puhdistaa myös imurilla.
3. Anna suodattimen kuivua ja laita se takaisin.

HUURTEENPOISTO

Kosteudenpoistajassa olevasta haihduttimesta voidaan poistaa huurre automaattisesti, jos sitä käytetään alle 18 °C:n huoneenlämmössä. Sulatuslaite voi käynnistyä ja toimia jonkin aikaa (noin 8 minuuttia) automaattisesti 40 minuutin välein tai pidemmälläkin välillä.

Älä sammuta laitetta tai ota johtoa pois pistorasiasta sulatus toiminnon aikana.

Kosteudenpoistajassa ei ole viilennystoimintoa. Laite tuottaa lämpöä käytön aikana ja voi nostaa huoneen lämpötilaa 1–4 °C.

KUNNOSSAPITO

- Puhdista laite pehmeällä, kostealla liinalla. Älä käytä liuottimia tai voimakkaita puhdistusaineita, sillä ne saattavat vaurioittaa laitteen pintaa.

HUOLTO

Jos kosteudenpoistaja on huollettava, ota ensin yhteyttä paikalliseen jälleenmyyjään.

TAKUU

2 vuoden tuotetakuu. Huomaathan, että takuu on voimassa kuittia vastaan.

VARASTOINTI

Ennen laitteen varastointia toimi seuraavasti:

1. Varmista, että vesisäiliö on tyhjä. Kun laite on päällä, käytä laitetta vähintään 30 minuuttia tuuletustilassa, niin laitteen sisällä oleva vesi kuivuu.
2. Kokoa virtajohto nippuun.
3. Puhdista suodatin.
4. Säilytä puhtaassa, kuivassa paikassa.

VINKKEJÄ

Jos kosteudenpoistajaa käytetään erittäin kosteissa olosuhteissa tai jos lämpötila on alle 5 °C, kosteudenpoistaja voi lakata toimimasta. Suuri määrä jäätä on kertynyt jäähdytysputkiin. Sammuta kosteudenpoistaja ja aseta se hieman lattiapinnan yläpuolelle niin, että jää sulaa pois.

Joskus saattaa olla hyödyllistä käyttää lämmitintä varmistamaan, että lämpötila ei putoa alle +10 °C:n. Vaikka MDX14 toimii jopa 5 °C:n lämpötilassa, se toimii tehokkaammin lämpimämmässä, koska lämmin ilma sisältää enemmän kosteutta.

Hydrostaatin virhemarginaali on noin +/- 5–10 %. Alemmissä lämpötiloissa virhemarginaali saattaa kasvaa.

Kuivatuskapasiteetti on korkeampi syksyllä/kesällä, koska ulkoilma on lämpimämpää ja kosteampaa.

TÄRKEÄÄ! - Wood'sin kosteudenpoistajat on kytkettävä maadoitettuun virtalähteeseen. Virtalähteen on oltava 220V-240V 50Hz

ONGELMA	RATKAISU
Kosteudenpoistaja ei käynnisty	<ul style="list-style-type: none"> - Tarkista, että kosteudenpoistaja on kytketty virtalähteeseen ja että sulake ei ole palanut. - Jos varoitusvalo palaa, tarkista, että vesisäiliö on tyhjä ja oikein asetettu kosteudenpoistajaan. Tarkista, että uimuri kelluu vapaasti.
Ei kuivaa	<ul style="list-style-type: none"> - Tarkista, että tuuletin pyörii - Tarkista, että ilma pääsee virtaamaan vapaasti kosteudenpoistajan läpi. Yläritilän ja ilmansuodattimen pitää olla puhdas ja laitteen tulee olla 30 cm irti seinästä. - Kuuntele, käykö kompressorin, mutta muista, että kosteudenpoistaja voi pysähtyä, kun ympäristön kosteus saavuttaa asetetun kosteustason. - Tarkista, että jäähdytysputkiin ei ole muodostunut paksumaa jääkerrosta.
Korkea melutaso	<ul style="list-style-type: none"> - Siirrä kosteudenpoistaja kauemmaksi ympärillä olevista pinnoista. - Jäähdytysputket voivat osua toisiinsa ja aiheuttaa tärinää. Kytke kosteudenpoistajasta virta pois ja erottele putket toisistaan.
Ei kytkeydy pois päältä, kun vesisäiliö on täynnä	<ul style="list-style-type: none"> - On tärkeää, että uimuri liikkuu vapaasti vesisäiliössä. Jos näin ei ole, se ei reagoi vesitasoihin eikä estä kosteudenpoistajaa pysähtymästä
Säiliöön ei kerry vettä	<ul style="list-style-type: none"> - Tarkista, onko vesisäiliön yläpuolella olevassa tippa-astiassa tukoksia.
FL	<ul style="list-style-type: none"> - Vesisäiliö on täynnä. Tyhjennä vesisäiliö ja laita se takaisin.
E1	<ul style="list-style-type: none"> - Lämpötila-kosteusanturin vika. Vaihda lämpötila-kosteusanturi.

Jos edellä esitetyt toimet eivät auta, pyydä lähintä jälleenmyyjää tarkistamaan ja mahdollisesti huoltamaan kosteudenpoistaja.

TEKNISET TIEDOT

	MDX14
Toiminta-alue enintään	40 m ²
Ilman läpivirtaus, vaihe 1	100 m ³ /h
Ilman läpivirtaus, vaihe 2	120 m ³ /h
Kuivauskapasiteetti 20 °C ja 70 % r.h.	6,0 l/vrk
Kuivauskapasiteetti 30 °C ja 80 % r.h.	10 l/vrk
Teho 20 °C ja 70 % r.h.	180 W
Virrankulutus 20 °C ja 70 % r.h.	4,3 kWh/vrk
Säiliön tilavuus	1,5 litraa
Kylmäaine	R290
R290:n määrä	40 g
Jännite	220–240 V
Taajuus	50 Hz
Virta	1A
Koteloitiluokka	IPX2
Melutaso desibeleinä	43 dB
Paino	9,1 kg
Mitat mm, K x S x L	293x183x493

*Oikeus teknisiin muutoksiin ja parannuksiin pidätetään. Kaikki arvot ovat likimääräisiä ja voivat vaihdella ulkoisten olosuhteiden, kuten lämpötilan, ilmanvaihdon ja kosteuden mukaisesti.



HUOM!

Rekisteröi tuotteesi osoitteessa www.warranty-woods.com ja lue, miten voit saada laajennetun takuun. Katso lisätietoja osoitteesta www.woods.se.

Suosittelvat käyttöolosuhteet

Lämpötila 5–35 °C
Suhteellinen kosteus: 30–90 %
Suositeltava kosteustaso:
noin 50 % RH

Takuu

Kuluttajan takuu on kaksi vuotta tuotantovikojen osalta. Huomaathan, että takuu on voimassa kuuttia vastaan. Takuu on voimassa vain, jos tuotetta käytetään tässä käyttöohjeessa olevien ohjeiden ja turvallisuusvaroitusten mukaisesti. Takuu ei kata vahinkoja, jotka johtuvat tuotteen virheellisestä käsittelystä.

HUOMAA: Kahden vuoden takuu koskee vain kuluttajia, ei laitteen kaupallista käyttöä.

WOOD'S GEHÖRT ZU DEN WELTWEIT FÜHRENDEN HERSTELLERN VON LUFTENTFEUCHTERN.

Luftentfeuchter von Wood's sind seit vielen Jahren als Spitzengeräte bekannt. Aufgrund ihrer guten Entfeuchtungsleistung selbst bei unterschiedlichen Temperaturen und hoher Luftfeuchte sind sie auch für den Einsatz unter schwierigen klimatischen Bedingungen gut geeignet. Die Geräte erzielen gute Ergebnisse in feuchten Räumen wie Kellern, Garagen und Gartenhäusern. Auch zum Wäschetrocknen, auf Dachböden sowie in Pool- und Waschräumen sind sie ausgezeichnet geeignet. Durch ihren hohen Wirkungsgrad haben die Geräte einen vergleichsweise niedrigen Energiebedarf. Kleidung wird sehr schonend behandelt.

Die vom Gerät entfernte Feuchtigkeitsmenge hängt von Temperatur, Luftfeuchte und Standort ab. Das Außenklima hat ebenfalls einen Einfluss auf die Trocknungsleistung. Bei niedrigen Außentemperaturen sinkt die absolute Luftfeuchtigkeit und das Gerät kann weniger Feuchtigkeit aus der Luft aufnehmen. Die relative Luftfeuchtigkeit könnte immer noch sehr hoch sein. Die Luftentfeuchter von Wood's sind sicher im Betrieb und für einen mehrjährigen Einsatz ausgelegt.

Die Luftentfeuchter von Wood's sind sicher im Betrieb und für einen mehrjährigen Dauerbetrieb ausgelegt.

HOHE LUFTFEUCHTIGKEIT – EINE GEFAHR FÜR DIE GESUNDHEIT

Wenn der Wasserdampf in der Luft auf eine kalte Fläche trifft (Fenster, Wand), kommt es zur Kondensation. Beim Abkühlen bilden sich Wassertropfen auf der Fläche. Bei dauerhaft hoher Luftfeuchtigkeit kann sich Schimmel an Wänden und Gegenständen bilden und diese schädigen. Schimmel stellt eine Gesundheitsgefahr dar und kann Krankheiten verursachen. Auch Milben und Spinnen gedeihen in feuchter Umgebung. Ein leistungsstarker Luftentfeuchter fördert ein gesundes Raumklima. Zur Gewährleistung eines effektiven Gerätebetriebs sollten Türen und Fenster geschlossen bleiben. Der Luftentfeuchter eignet sich auch zur Geruchsneutralisierung von Sportkleidung sowie zur Trocknung von Holz.

1. SICHERHEITSHINWEISE



Brennbares Material. Dieses Gerät enthält das brennbare Kältemittel Propan (R290).



Sicherheitshinweise finden Sie in diesem Handbuch.



Lesen Sie das technische Handbuch.



Lesen Sie die Bedienungsanleitung.

SICHERHEITSHINWEISE

Lesen Sie vor der Installation und Nutzung des Geräts die Bedienungsanleitung. Bei Verletzungen oder Schäden aufgrund einer unsachgemäßen Installation übernimmt der Hersteller keine Haftung. Bewahren Sie die Anleitung zusammen mit dem Gerät auf, damit Sie jederzeit darin nachschlagen können.

Schutz von Kindern und schutzbedürftigen Personen

WARNUNG



Verletzungsgefahr oder drohende Dauerinvalidität.

Dieses Gerät kann von Kindern ab 8 Jahren und Personen mit eingeschränkten körperlichen, sensorischen oder geistigen Fähigkeiten oder mangelnden Erfahrungen und Kenntnissen benutzt werden, wenn sie in der sicheren Handhabung der Geräte unterwiesen wurden und die damit verbundenen Gefahren verstehen bzw. unter entsprechender Aufsicht stehen.

Kinder nicht mit dem Gerät spielen lassen!

Kinder unter 3 Jahren sind vom Gerät fernzuhalten, sofern sie nicht ständig beaufsichtigt werden.

Sämtliches Verpackungsmaterial von Kindern fernhalten.

Reinigung und Wartung dürfen nicht von unbeaufsichtigten Kindern durchgeführt werden.

Allgemeine Sicherheit

Dieses Gerät ist für den Einsatz in Wohn- und Arbeitsbereichen vorgesehen (z. B. Keller, Zwischendecken, Personalküchen in Geschäften, Büros und sonstigen Arbeitsumfeldern). Das Typenschild befindet sich auf der Seite oder Rückseite des Entfeuchters. Lüftungsöffnungen dürfen nicht überdeckt werden.

Als Abtauhilfen dürfen keine mechanischen oder sonstigen Geräte, sondern ausschließlich die vom Hersteller empfohlenen Vorrichtungen verwendet werden. Das Gerät darf nicht in Räumen mit in Betrieb befindlichen Zündquellen (z. B. offene Flammen, Betriebsgasgeräte, elektrische Betriebsheizungen) gelagert werden. Das Gerät nicht anstecken oder verbrennen.

Kältemittel können geruchlos sein. Gerät nicht mit Wasserstrahl oder Dampf reinigen. Gerät mit einem feuchten, weichen Tuch reinigen. Nur neutrale Reinigungsmittel benutzen. Keine Scheuermittel, Lösungsmittel oder Metallgegenstände verwenden. Bei einer Beschädigung des Netzkabels muss der Austausch aus Sicherheitsgründen durch den Hersteller, ein offizielles Servicecenter oder Fachpersonal erfolgen.

SICHERHEITSHINWEISE

Installation

WARNUNG



Das Gerät darf nur von einer entsprechend qualifizierten Person angeschlossen werden.

Die Verpackung ist restlos vom Gerät zu entfernen.

Ein beschädigtes Gerät darf weder installiert noch verwendet werden.

Lagerung, Installation und Betrieb des Geräts sind nur in Räumen mit einer Mindestfläche von 2 m² zulässig. Die beiliegende Installationsanleitung ist zu befolgen.

Das Gerät ist schwer – Vorsicht beim Transport und beim Umstellen. Immer Schutzhandschuhe tragen.

Darauf achten, dass die Luft ungehindert um das Gerät zirkulieren kann.

Vor dem Netzanschluss mindestens 4 Stunden mit aufrecht stehendem Gerät warten. In dieser Zeit kann das Öl zurück in den Kompressor fließen.

Gerät nicht in der Nähe von Radiatoren und anderen Wärmequellen betreiben.

Das Gerät nicht an einem Ort mit direkter Sonneneinstrahlung aufstellen.

Elektroanschluss

WARNUNG



Gefährdung durch Feuer und Stromschlag.

Das Gerät muss an eine geerdete Steckdose angeschlossen werden.

Darauf achten, dass die elektrischen Angaben auf dem Typenschild mit dem Netzanschluss übereinstimmen. Sollte das nicht der Fall sein, wenden Sie sich an eine Elektrofachkraft.

Der Anschluss muss an eine sachgerecht installierte, VDE-zugelassene Steckdose erfolgen.

Multistecker-Adapter und Verlängerungskabel sind unzulässig.

Darauf achten, dass die elektrischen Komponenten (z.B. Netzstecker, Netzkabel) nicht beschädigt werden.

Falls ein elektrisches Bauteil ausgetauscht werden muss, ein Autorisiertes Servicezentrum oder einen Elektriker beauftragen. Das Netzkabel muss durchgehend unterhalb der Steckdose verlegt werden.

Das Gerät erst nach der Aufstellung am endgültigen Betriebsort an die Steckdose anschließen.

Der Netzstecker muss jederzeit zugänglich sein.

Zum Trennen der Stromversorgung nicht am Netzkabel ziehen. Immer direkt am Netzstecker und nicht am Kabel ziehen.

Netzkabel abschneiden und entsorgen.

Der Kältemittelkreislauf des Geräts ist ozonverträglich. Die Vorgehensweise bei der umweltverträglichen Entsorgung des Geräts ist bei der zuständigen Behörde nachzufragen. Der Teil der Kühleinheit unmittelbar neben dem Wärmetauscher darf nicht beschädigt werden.

Betrieb

WARNUNG



Verletzungs-, Verbrennungs-, Stromschlag- und Brandgefahr! Gerät nur innerhalb der angegebenen Spezifikationen betreiben und keine Veränderungen am Gerät vornehmen.

Darauf achten, dass der Kältemittelkreislauf nicht beschädigt wird. Der Kreislauf enthält das umweltverträgliche Erdgas Propan (R290). Es ist brennbar.

Sollte der Kältemittelkreislauf beschädigt werden, sofort sicherstellen, dass es im Raum weder offenes Feuer noch Zündquellen gibt. Den Raum lüften.

Keine brennbaren Produkte oder Gegenstände, die mit brennbaren Produkten benetzt sind, auf das Gerät oder in dessen Nähe stellen.

Entsorgung

WARNUNG



Verletzungsgefahr! Den Netzstecker des Geräts abziehen.

VORBEREITUNG DES ENTFEUCHTERS AUF DIE INSTALLATION

WICHTIG:

2. Installation

VOR DEM ERSTEN EINSATZ

Vor der ersten Nutzung das Gerät 4 Stunden aufrecht stehen lassen.

Auswahl des Standorts

Wichtig

1. In einem geschlossenen Bereich arbeitet der Luftentfeuchter am effektivsten. Alle Türen, Fenster und andere Öffnungen des Raums nach außen sind zu schließen. Die Wirksamkeit des Luftentfeuchters hängt von der Geschwindigkeit ab, mit der feuchte Luft in den Raum gelangt.
2. Der Luftentfeuchter ist so anzuordnen, dass der Luftstrom durch die Vorderseite des Geräts nicht eingeschränkt wird.
3. Ein In einem Raum betriebener Luftentfeuchter hat nur geringe oder gar keine Wirkung bei der Trocknung eines angrenzenden geschlossenen Lagerbereichs, wie z. B. eines Schrankes, wenn keine ausreichende Luftzirkulation in und aus dem Bereich vorhanden ist. Es kann erforderlich werden, einen zweiten Luftentfeuchter im geschlossenen Bereich zu installieren, damit die Trocknung zufriedenstellend ist.
4. Sicherstellen, dass das Gerät auf einem stabilen und ebenen Untergrund steht. Wenn die Oberfläche nicht stabil ist, kann es zu übermäßigen Vibrationen kommen und Wasser auslaufen.
5. Um das Gerät herum sollte ein Freiraum von mindestens 30 cm vorhanden sein.

PRODUKTBESCHREIBUNG

3. Produktbeschreibung

A

1. Frontverkleidung
2. Lenkrollen
3. Abdeckung

B

1. Filter
2. Anschluss für Dauerableitung

C

1. Wassertank

D

1. Abdeckung

E

Bedienfeld

1. Netzschalter (POWER): Ein- oder Ausschaltung des Geräts
2. Timer-Schalter: Einstellung, Abfrage und Abbruch des Timers
3. Drehzahlschalter (SPEED): Erhöhung oder Absenkung der Lüfterdrehzahl
4. Aufwärtsschalter (UP): Einstellung von Feuchtigkeit oder Zeitablauf
5. Abwärtsschalter (DOWN): Einstellung von Feuchtigkeit oder Zeitablauf
6. Betriebsartenschalter (MODE): Lüfter --- Spar --- Trockner --- Auto --- Entfeuchtung

F

1. Frontverkleidung
2. Rechte Seitenverkleidung
3. Wassertank

G

1. Bedienfeld
2. Filter
3. Anschluss für Dauerableitung
4. Rückseitenverkleidung
5. Luftausgang
6. Linke Verkleidung
7. Lenkrolle

H

1. Die obere Verkleidung muss zu anderen Gegenständen einen Abstand von mindestens 50 cm haben.
2. Zwischen dem Gerät und den umliegenden Gegenständen oder Wänden muss ein Abstand von über 30 cm vorhanden sein.

I

1. Manuelle Entwässerung
2. Dauerableitung

AUFSTELLUNG DES LUFTENTFEUCHTERS

- Den Luftentfeuchter nicht in der Nähe von Heizkörpern und anderen Wärmequellen aufstellen oder direktem Sonnenlicht aussetzen, da sonst die Leistung des Geräts beeinträchtigt wird.
- Im Idealfall steht der Entfeuchter in der Mitte des Raums.



HINWEIS: Luftentfeuchter in Nassbereichen (Badezimmer, Duschaum) sind fest anzubringen. Vor dem Einsatz des Gerätes in Nassbereichen ist die Einhaltung der geltenden Sicherheitsvorschriften zu überprüfen.

BETRIEB DES LUFTENTFEUCHTERS

Wenn der Luftentfeuchter horizontal transportiert wird, sollte er vor der Verwendung 4 Stunden aufrecht stehen. Der Zeitraum muss lang genug sein, damit das Öl in den Kompressor zurückzufließen kann. Andernfalls kann das Gerät schwer beschädigt werden.

1. Sicherstellen, dass der Wassertank korrekt eingesetzt ist.
2. Den Luftentfeuchter an eine geerdete Steckdose anschließen.
3. Die Funktion oder den gewünschten Feuchtigkeitspegel einstellen. Siehe auch Abschnitt über die Feuchtigkeitsregelung.

BEDIENUNGSANLEITUNG

1. Netzschalter: Mit diesem Schalter wird das Gerät ein- und ausgeschaltet.
2. Betriebsartenschalter: Mit diesem Schalter wird die gewünschte Betriebsart ausgewählt. Das Gerät kann auf normale Entfeuchtung, Sparbetrieb, automatische Entfeuchtung, Lüftung und Kleidungstrocknung eingestellt werden.

SPARBETRIEB

Wenn das Gerät im ECO MODE arbeitet, liegt der Standardfeuchtigkeitswert bei 60 %.

- a) Wenn die Luftfeuchtigkeit $\geq 60\%$ beträgt, sorgt das Gerät für Entfeuchtung, aber die Lüftergeschwindigkeit kann nicht eingestellt werden.
- a) Wenn die Luftfeuchtigkeit $< 60\%$ beträgt, arbeitet das Gerät als Lüfter, aber die Lüftergeschwindigkeit kann nicht eingestellt werden.
- c) Der Luftfeuchtigkeitswert kann nicht eingestellt werden.

LÜFTERBETRIEB

In dieser Betriebsart läuft der Kompressor nicht, der Lüfter arbeitet standardmäßig mit niedriger Drehzahl nur für die Belüftung, die Lüftergeschwindigkeit ist einstellbar, die Luftfeuchtigkeit jedoch nicht, Die Luftfeuchtigkeit (30-90 % RF) wird im Display angezeigt.

TROCKNUNGSBETRIEB

In dieser Betriebsart arbeitet der Kompressor unabhängig von der Raumfeuchtigkeit im Dauerbetrieb und der Lüfter läuft mit hoher Drehzahl. Die Verzögerungsfunktion des Kompressors von drei Minuten ist aktiv, Lüftergeschwindigkeit und Luftfeuchtigkeit können nicht eingestellt werden, die Umgebungsfeuchtigkeit (30-90 %RF) wird im Display angezeigt.

AUTOMATIKBETRIEB

Wenn das Gerät im AUTO MODE arbeitet, liegt der Standardfeuchtigkeitswert bei 50 %.

- a) Wenn die Umgebungsluft einen Feuchtigkeitswert von $\geq 70\%$ aufweist, sorgt das Gerät für effektive Entfeuchtung, aber die Lüftergeschwindigkeit kann nicht eingestellt werden.
- a) Wenn die Umgebungsluft einen Feuchtigkeitswert von $< 50\%$ aufweist, sorgt das Gerät für geringe Entfeuchtung, aber die Lüftergeschwindigkeit kann nicht eingestellt werden.
- a) Wenn die Umgebungsluft einen Feuchtigkeitswert von $< 50\%$ aufweist, arbeitet das Gerät als Lüfter mit geringer Drehzahl, aber die Lüftergeschwindigkeit kann nicht eingestellt werden.

d) Die Umgebungsfeuchtigkeit (30-90 % RF) wird im Display angezeigt, die Luftfeuchtigkeit kann jedoch nicht eingestellt werden.

ENTFEUCHTUNGSBETRIEB

Das Gerät arbeitet im Entfeuchtungsbetrieb, wenn es zum ersten Mal eingeschaltet wird oder die Betriebsart entsprechend geändert wird. Die Lüftergeschwindigkeit ist standardmäßig hoch und kann mit UP und DOWN auf den Sollwert (35 - 85 %) eingestellt werden.

3. Die Luftfeuchtigkeit kann zwischen 35 % - 85 % (in Stufen von 5 %) eingestellt werden, ist allerdings nur im Entfeuchtungsbetrieb gültig.
4. Timer: Man kann festlegen, wie lange das Gerät laufen wird oder wann es eingeschaltet werden soll. Der Wert kann auf 1 bis 24 Stunden eingestellt werden.
5. Lüfterdrehzahl: Die Drehzahl Taste ist nur im Entfeuchtungs- und Belüftungsbetrieb verfügbar.
6. Kindersperre: Zur Ein- oder Ausschaltung der Kindersperre sind Timer und Speed gleichzeitig zu drücken.

WASSERABFLUSS

Wenn der Wassertank voll ist, wird das Gerät automatisch ausgeschaltet.

1. Das Gerät von der Steckdose trennen.
2. Den Wassertank entleeren.
3. Den leeren Wassertank wieder einsetzen und überprüfen, ob der Schwimmer sich ungehindert bewegen kann.
4. Den Luftentfeuchter an eine Steckdose anschließen.

Direkte Wasserableitung

Einen Wasserschlauch an das Rohr auf der Rückseite des Luftentfeuchters anschließen. Das andere Ende des Schlauchs zu einem Abfluss verlegen. Sicherstellen, dass das Wasser durch die Schwerkraft nach unten ablaufen kann.

LUFTFILTER:

Der Luftfilter verhindert, dass Staub und

Schmutz in die Maschine eindringen, und verlängert somit die Haltbarkeit des Geräts. Es ist wichtig, dass der Filter regelmäßig gereinigt wird.

Filterreinigung:

1. Den Filter herausnehmen.
2. Den Filter nach oben herausnehmen und mit warmem Wasser sowie einem milden Reinigungsmittel reinigen. Alternativ kann der Filter auch mit dem Staubsauger gereinigt werden.
3. Den Filter trocknen lassen und wieder einsetzen.

ABTAUBETRIEB

Der Verdampfer im Luftentfeuchter kann automatisch abtauen, wenn er bei einer Raumtemperatur von unter 18 °C betrieben wird. Das Abtaugerät kann automatisch alle 40 Minuten oder auch später eingeschaltet werden und für einige Zeit (etwa 8 Minuten) laufen.

Den Schalter nicht ausschalten und den Netzstecker des Luftentfeuchters während des Abtauvorgangs nicht abziehen.

Dieser Entfeuchter hat keine Kühlfunktion. Im Betrieb erzeugt er Wärme und kann so die Raumtemperatur um 1 bis 4 °C erhöhen.

WARTUNG

- Das Gerät mit einem weichen feuchten Tuch reinigen. Keine Lösungsmittel oder starken Reinigungsmittel verwenden, da diese die Oberfläche des Geräts beschädigen könnten.

SERVICE

Sollten Servicearbeiten am Entfeuchter erforderlich werden, ist Kontakt zum Händler aufzunehmen.

GARANTIE

2 Jahre Produktgarantie. Es ist zu beachten, dass die Garantie nur bei Vorlage der Quittung gilt.

LAGERUNG

Vor der Lagerung des Geräts ist wie folgt vorzugehen:

1. Sicherstellen, dass der Wassertank leer ist. Bei eingeschaltetem Gerät sicherstellen, dass es mindestens 30 Minuten im Lüftungsbetrieb läuft, damit das Wasser im Inneren des Geräts ablaufen kann.
2. Das Netzkabel einrollen und bündeln.
3. Den Filter reinigen.
4. Die Lagerung hat in einem sauberen, trockenen Umfeld zu erfolgen.

HINWEISE

Wenn der Luftentfeuchter in extrem feuchten Umgebungen eingesetzt wird oder die Temperatur unter +5 °C liegt, funktioniert er nicht mehr. Auf der Kühlpule lagern sich große Eismengen ab. Den Luftentfeuchter ausschalten und etwas oberhalb des Fußbodens abstellen, damit das Eis schmelzen kann.

Um zu verhindern, dass die Temperatur unter +10 °C abfällt, empfiehlt sich der Einsatz eines Heizlüfters. Selbst wenn der MDX14 bis zu Temperaturen von bis zu +5 °C arbeitet, fällt seine Leistung bei höheren Temperaturen besser aus, da warme Luft mehr Wasser transportiert.

Das Hydrostat hat einen Fehlerspielraum von etwa +/- 5 bis 10 %. Bei niedrigeren Temperaturen könnte dieser Wert weiter ansteigen.

Im Herbst/Sommer kann man mit höherer Entfeuchtungsleistung rechnen, weil die Außenluft wärmer und feuchter ist.

WICHTIG! – Luftentfeuchter von Wood's dürfen nur an geerdete Steckdosen angeschlossen werden. Die Netzspannung muss 220 bis 240 V bei 50 Hz betragen.

PROBLEM	LÖSUNG
Das Gerät schaltet sich nicht ein.	<ul style="list-style-type: none"> - Netzanschluss und Netzsicherung kontrollieren. - Warnlampe leuchtet: Ist der Wassertank leer? Wurde er korrekt eingesetzt? Kann der Schwimmer sich frei bewegen?
Die Raumluft wird nicht entfeuchtet.	<ul style="list-style-type: none"> - Dreht sich der Ventilator? - Kann die Luft ungehindert durch das Gerät strömen? Sind Frontgitter und Luftfilter sauber? Ist der Luftentfeuchter mindestens 30 cm von allen Wänden entfernt? - Den Klang des Kompressors beachten, aber nicht vergessen, dass der Luftentfeuchter abgeschaltet werden kann, wenn die Umgebungsfeuchtigkeit den Sollwert der Luftfeuchtigkeit erreicht. - Auf den Kühlrohren darf sich keine Eisschicht gebildet haben.
Lautes Betriebsgeräusch	<ul style="list-style-type: none"> - Luftentfeuchter weiter von Wänden und Gegenständen entfernt aufstellen. - Wenn sich die Kühlrohre berühren, kann das Gerät vibrieren. Den Netzstecker ziehen und die Rohre voneinander trennen.
Das Gerät schaltet sich nicht ab, wenn der Wassertank voll ist	<ul style="list-style-type: none"> - Kann sich der Schwimmer frei im Wassertank bewegen? Wenn der Schwimmer behindert wird, kann sich das Gerät bei zu hohem Wasserpegel im Tank nicht selbstständig abschalten.
Der Wassertank bleibt leer.	<ul style="list-style-type: none"> - Ist der Abfluss zur Tropfschale über dem Wassertank verstopft?
FL	<ul style="list-style-type: none"> - Der Wassertank ist voll. Den Wassertank entleeren und wieder einsetzen.
E1	<ul style="list-style-type: none"> - Ausfall des Sensors für Temperatur-Feuchtigkeit. Den Sensor austauschen.

Wenn das Problem durch die vorstehenden Maßnahmen nicht behoben werden kann, ist Kontakt zum Händler aufzunehmen, damit das Gerät überprüft und bei Bedarf repariert werden kann.

TECHNISCHE DATEN

	MDX14
Max. Arbeitsbereich	40 m ²
Luftstrom Stufe 1	100 m ³ /h
Luftstrom Stufe 2	120 m ³ /h
Entfeuchtung bei 20 °C und 70 % RF	6,0 Liter pro 24 Stunden
Entfeuchtung bei 30 °C und 80 % RF	10 Liter pro 24 Stunden
Leistung bei 20 °C und 70 % RF	180 W
Leistungsaufnahme bei 20 °C und 70 % RF	4,3 kWh pro 24 Stunden
Fassungsvermögen Wassertank	1,5 Liter
Kältemittel	R290
Ladung R290	40 g
Spannung	220 - 240 V
Frequenz	50 Hz
Strom	1 A
Schutzart	IPX2
Geräuschpegel in Dezibel	43 dB
Gewicht	9,1 kg
Abmessungen in mm, L x B x H	293x183x493

*Technische Änderungen und Verbesserungen vorbehalten. Alle Angaben sind Richtwerte und können aufgrund von äußeren Einflüssen wie Temperatur, Belüftung und Luftfeuchtigkeit schwanken.



HINWEIS!

Registrieren Sie sich unter www.warranty-woods.com. Dort erfahren Sie, wie Sie eine verlängerte Garantie erhalten. Weitere Informationen siehe www.woods.se/de.

Empfohlene Betriebsgrenzwerte

Temp. +5 °C bis +35 °C
 Relative Luftfeuchtigkeit: 30 bis 90 %
 Empfohlene Luftfeuchtigkeit:
 etwa 50 %

Garantien

2 Jahre Verbrauchergarantie auf Produktionsfehler. Es ist zu beachten, dass die Garantie nur bei Vorlage der Quittung gilt. Die Garantie gilt nur, wenn das Produkt in Übereinstimmung mit den Anweisungen und Sicherheitshinweisen in diesem Handbuch verwendet wird. Die Garantie deckt keine Schäden ab, die durch unsachgemäße Handhabung des Produkts verursacht werden.

HINWEIS: Die zweijährige Garantie gilt nur für Verbraucher und nicht bei gewerblicher Nutzung des Geräts.

WOOD'S EST L'UN DES LEADERS MONDIAUX DES DÉSHUMIDIFICATEURS

Les déshumidificateurs de Wood's sont reconnus comme des produits phares du marché depuis plusieurs années. Nos déshumidificateurs peuvent être utilisés dans les climats les plus rigoureux, lorsque la capacité de déshumidification est bonne même à des températures et des niveaux d'humidité différentes. Nos déshumidificateurs obtiennent de très bons résultats dans des lieux qui sont souvent humides comme les caves, les garages ou les résidences secondaires. Ils sont également excellents pour sécher le linge, les greniers, les piscines et les buanderies. Ils sont efficaces et consomment peu d'énergie. Ils n'abîment pas les vêtements.

La quantité d'humidité retirée par le déshumidificateur dépend de la température, du niveau d'humidité et de l'emplacement. Les conditions météorologiques extérieures peuvent également affecter les performances de votre déshumidificateur. Par temps froid, l'humidité absolue décroît, réduisant ainsi le niveau d'extraction de l'humidité contenue dans l'air par votre déshumidificateur. (L'humidité relative peut quand même être élevée.) Les déshumidificateurs de Wood's sont sûrs et ont été conçus pour une utilisation continue pendant plusieurs années.

Les déshumidificateurs Wood's sont sûrs et ont été conçus pour une utilisation continue pendant de nombreuses années.

UNE HUMIDITÉ EXCESSIVE DE L'AIR : UN DANGER !

La condensation se produit lorsque de la vapeur d'eau contenue dans l'air entre en contact avec une surface froide, par exemple une fenêtre ou un mur. En refroidissant, la vapeur d'eau se condense, et forme des gouttes d'eau. En cas d'humidité élevée de l'air, celui-ci sent le renfermé et des moisissures peuvent se propager et endommager les habitations et le mobilier. Cet environnement peut même provoquer des maladies. Les mites et les araignées se développent aussi facilement dans les environnements humides. Un déshumidificateur à haute performance crée un bon niveau d'humidité sain. Pour une plus grande efficacité, les portes et les fenêtres des pièces qui sont déshumidifiées doivent rester fermées. Éliminez les odeurs, sèche le bois et retire l'humidité des équipements d'extérieur.

1. AVERTISSEMENTS DE SÉCURITÉ



Matériau inflammable. Cet appareil contient du R290/Propane, un réfrigérant inflammable.



Consultez ce manuel pour les informations de sécurité.



Lire le manuel technique



Lire le manuel de l'opérateur.

INFORMATIONS DE SÉCURITÉ

Avant l'installation et l'utilisation de l'appareil, lire attentivement les instructions fournies. Le fabricant n'est pas responsable en cas de blessures ou de dommages découlant d'une mauvaise installation et une utilisation incorrecte. Toujours conserver les instructions avec l'appareil pour s'y reporter ultérieurement.

Sécurité des enfants et des personnes vulnérables

AVERTISSEMENT



Risque de blessure ou d'invalidité permanente.

Cet appareil peut être utilisé par des enfants à partir de 8 ans et des personnes ayant des capacités physiques, sensorielles ou mentales réduites, ou un manque d'expérience et de connaissances, sous surveillance ou à condition d'avoir reçu ou des instructions

concernant l'utilisation de l'appareil de manière sûre et d'avoir compris les dangers impliqués. Ne pas laisser les enfants jouer avec l'appareil.

Les enfants de moins de 3 ans doivent être tenus à l'écart, à moins d'être surveillés en permanence. Tenir tous les emballages éloignés des enfants. Le nettoyage et l'entretien ne doivent pas être effectués par des enfants sans surveillance.

Sécurité générale

Cet appareil est destiné à être utilisé dans des applications domestiques et autres installations similaires telles que : sous-sols, vides sanitaires ; espaces de cuisine pour le personnel dans les magasins, les bureaux et autres environnements professionnels. La plaque signalétique est située sur le côté ou l'arrière du déshumidificateur. Maintenir les ouvertures de ventilation dégagées.

Ne pas utiliser de dispositifs mécaniques ou d'autres moyens pour accélérer le processus de dégivrage, autres que ceux recommandés par le fabricant. L'appareil ne doit pas être entreposé dans une pièce avec des sources inflammables opérationnelles (par exemple, des flammes nues, un appareil à gaz ou un radiateur électrique). Ne pas percer ni brûler. Tenir compte du fait que les réfrigérants n'ont pas d'odeur. Ne pas utiliser de pulvérisation

d'eau ni de vapeur pour nettoyer l'appareil. Nettoyer l'appareil à l'aide d'un chiffon doux humide. Utiliser uniquement des détergents neutres. Ne pas utiliser de produits abrasifs, de tissus de nettoyage abrasifs, de solvants ou d'objets métalliques. Si le cordon d'alimentation est endommagé, il doit être remplacé par le fabricant, son centre de service agréé ou des personnes qualifiées du même type pour éviter tout danger.

CONSIGNES DE SÉCURITÉ



Installation

AVERTISSEMENT

Cet appareil ne doit être installé que par une personne qualifiée. Enlever tout l'emballage. Ne pas installer ni utiliser un appareil endommagé. L'appareil doit être installé, utilisé et entreposé dans une pièce d'une surface de plancher supérieure à 2 m². Respecter les instructions d'installation fournies avec l'appareil. Toujours déplacer l'appareil avec précaution car il est lourd. Toujours porter des gants de sécurité.

Veiller à ce que l'air puisse circuler autour de l'appareil. Attendre au moins 4 heures avant de brancher l'appareil à l'alimentation, afin de permettre à l'huile de revenir dans le compresseur. Ne pas installer l'appareil à proximité de radiateurs ou d'autres sources de chaleur.

Ne pas installer l'appareil exposé à lumière directe du soleil.

Raccordement électrique

AVERTISSEMENT



Risque d'incendie et de choc électrique. L'appareil doit être raccordé à une prise de terre. Vérifier que les informations électriques de la plaque signalétique correspondent à l'alimentation électrique. Si ce n'est pas le cas, contacter un électricien. Toujours utiliser une prise antichoc correctement installée. Ne pas utiliser d'adaptateurs multi-fiches ni de rallonges. Veiller à ne pas endommager les composants électriques (p. ex. fiche secteur, câble secteur). Contacter le centre de service agréé ou un électricien pour changer les composants électriques. Le câble secteur doit rester sous le niveau de la fiche secteur. Brancher la fiche secteur à la prise secteur uniquement à la fin de l'installation. Veiller à ce qu'il soit possible d'accéder à la prise de courant après l'installation. Ne pas tirer sur le câble secteur pour débrancher l'appareil. Toujours tirer sur la prise secteur.

Utilisation

AVERTISSEMENT



Risque de blessures, de brûlures, de chocs électriques ou d'incendie. Ne pas changer la spécification de cet appareil.

Veiller à ne pas endommager le circuit de réfrigérant. Il contient du propane (R290), un gaz naturel ayant un niveau élevé de compatibilité environnementale. Ce gaz est inflammable.

Si le circuit de réfrigérant est endommagé, vérifier qu'il n'y a pas de flammes ni de sources d'inflammation dans la pièce. Ventiler la pièce.

Ne pas placer de produits inflammables ou d'objets imbibés de produits inflammables près de l'appareil ou dessus.

Mise au rebut

AVERTISSEMENT



Risque de blessure. Débrancher l'appareil de l'alimentation secteur. Couper le câble secteur et le mettre au rebut. Le circuit de réfrigérant de cet appareil est sans danger pour la couche d'ozone. Contacter l'autorité municipale pour savoir comment mettre correctement l'appareil au rebut. Ne pas endommager la partie de l'unité de réfrigération qui se trouve près de l'échangeur de chaleur.

PRÉPAREZ LE DÉSHUMIDIFICATEUR POUR L'INSTALLATION

IMPORTANT :

2. Installation

AVANT LA PREMIÈRE UTILISATION

Laissez la machine en position droite pendant 4 heures avant l'utilisation
Sélectionner un emplacement

Important

1. Le déshumidificateur doit être utilisé dans une pièce fermée pour garantir son efficacité optimale. Fermez toutes les portes, fenêtres et autres ouvertures de la pièce. L'efficacité du déshumidificateur dépend du rythme d'entrée d'air humide dans la pièce.
2. Placez le déshumidificateur dans un endroit qui ne bloque pas la circulation d'air à travers la partie avant de l'unité.
3. Un déshumidificateur fonctionnant dans une pièce aura peu ou pas d'effet sur le séchage d'une zone de rangement fermée adjacente comme une armoire, à moins qu'il n'y ait une circulation d'air adéquate dans et hors de la zone. Il peut être nécessaire d'installer un deuxième déshumidificateur dans la zone fermée pour un séchage satisfaisant.
4. S'assurer que l'appareil est placé sur une surface stable et plane. Si la surface n'est pas stable, il existe un risque de vibration excessive et de fuite d'eau.
5. Un espace libre de 30 cm doit être prévu autour de l'unité.

DESCRIPTION DU PRODUIT

3. Description du produit

A

1. Protection avant
2. Roulettes
3. Panneau supérieur

B

1. Filtre
2. Port de drainage continu

C

1. Réservoir d'eau

D

1. Panneau supérieur

E

Panneau de commande

1. Bouton D'ALIMENTATION : Démarrer ou arrêter l'unité
2. Bouton de MINUTERIE : Régler le minuteur, chercher minuterie et annuler le minuteur.
3. Bouton de VITESSE : Le ventilateur fonctionnera à une vitesse faible ou élevée.
4. Bouton HAUT : Ajuster l'humidité ou la minuterie.
5. Bouton BAS : Ajuster l'humidité ou la minuterie.
6. Bouton de MODE : Ventilateur --- Éco --- Séchage --- Auto --- Déshumidification

F

1. Protection avant
2. Protection droite
3. Réservoir d'eau

G

1. Panneau de commande
2. Filtre
3. Port de drainage continu
4. Protection arrière
5. Sortie d'air
6. Protection gauche
7. Roulette

H

1. Gardez le panneau supérieur à 50 cm d'autres objets.
2. Gardez une distance supérieure à 30 cm entre la machine et les objets ou murs environnants.

I

1. Drainage manuel
2. Drainage continu

PLACEMENT DU DÉSHUMIDIFICATEUR

- Le déshumidificateur ne doit pas être placé à proximité de radiateurs ou de toute autre source de chaleur, ni exposé directement aux rayons directs du soleil, car cela nuirait à ses performances.

- Idéalement, il doit être placé au centre de la pièce/zone.



REMARQUE : Lorsque placé dans un coin douche ou une salle de bain, le déshumidificateur doit être fixé en place. Il faut obligatoirement consulter et respecter les lois et réglementations locales en matière d'électricité pour les salles de bain avant toute utilisation.

UTILISATION DU DÉSHUMIDIFICATEUR

Si le déshumidificateur est transporté horizontalement, laissez-le reposer pendant 4 heures avant de l'utiliser. Il est très important de laisser l'huile retourner dans le compresseur, car vous risqueriez de causer de graves dommages à votre déshumidificateur.

1. Vérifiez que le réservoir de collecte de l'eau est placé correctement.
2. Branchez le déshumidificateur sur une source d'alimentation raccordée à la terre.
3. Définissez la fonction et le niveau d'humidité souhaité. Consultez la section sur l'hygrostat.

MANUEL D'UTILISATION

1. Bouton d'alimentation : Ce bouton permet d'allumer et d'éteindre la machine.
2. Bouton de mode : Appuyez pour sélectionner le mode souhaité. Naviguez entre Déshumidification normale, Déshumidification écologique, Déshumidification automatique, Mode ventilation et Mode vêtements secs.

MODE ÉCO

Lorsque l'unité fonctionne en MODE ÉCO, le niveau d'humidité par défaut est de 60 % d'HR.

- a) Lorsque l'humidité ambiante est supérieur ou égal à 60 %, l'unité fonctionne comme un déshumidificateur et la vitesse du ventilateur ne peut pas être réglée.
- b) Lorsque l'humidité ambiante est inférieur à 60 %, l'unité fonctionne comme un ventilateur et la vitesse du ventilateur ne peut pas être réglée.
- c) Le niveau d'humidité n'est pas réglable.

MODE VENTILATEUR

Dans ce mode, le compresseur ne fonctionnera pas, le ventilateur fonctionnera à basse vitesse par défaut uniquement pour la ventilation, la vitesse du ventilateur est réglable, le niveau d'humidité ne peut pas être réglé, le niveau d'humidité ambiante (30-90% HR) sera indiqué sur le panneau d'affichage.

MODE SÉCHAGE

Dans ce mode, le compresseur fonctionnera en continu et le ventilateur fonctionnera à grande vitesse quelle que soit le niveau d'humidité de la pièce. Un délai de protection de trois minutes du compresseur peut être activé, la vitesse du ventilateur et le niveau d'humidité ne peuvent pas être ajustés, le niveau d'humidité ambiante (30-90 % d'HR) sera indiqué sur le panneau d'affichage.

MODE AUTO

Lorsque l'unité fonctionne en MODE AUTO, le niveau d'humidité par défaut est de 50 % d'HR.

- a) Lorsque l'humidité ambiante est supérieur ou égal à 70 %, le compresseur et le ventilateur fonctionneront à la puissance maximale et la vitesse du ventilateur ne peut pas être réglée.
- b) Lorsque l'humidité ambiante est comprise entre 50 et 70 %, l'unité fonctionnera à bas régime. Dans ce mode, la vitesse du ventilateur ne peut pas être réglée.
- b) Lorsque l'humidité ambiante est inférieur à 50 %, l'unité fonctionne comme un ventilateur à basse vitesse et la vitesse du ventilateur ne peut pas être réglée.

d) Le niveau d'humidité ambiante (30-90 % HR) sera indiqué sur le panneau d'affichage, l'humidité n'est pas réglable.

MODE DÉSHUMIDIFICATION

L'unité fonctionnera en mode de déshumidification lors de la première mise sous tension ou sélectionnez le mode de conversion, la vitesse du ventilateur est par défaut élevée, appuyez sur UP et DOWN pour régler l'humidité ambiante (35-85 %).

3. L'humidité peut être réglée entre 35 % et 85 % (facteur d'ajustement de 5 %), le réglage de l'humidité n'est valide qu'en mode de déshumidification.
4. Minuterie : Vous pouvez définir la durée de fonctionnement de l'unité ainsi que le moment de démarrage. Vous pouvez sélectionner une valeur de 1 à 24 heures.
5. Vitesse du ventilateur : La touche de la vitesse est valable uniquement en mode de déshumidification et en mode de ventilation.
6. Protection des enfants : Appuyez sur « Minuterie » et « Vitesse » pour régler ou désactiver la fonction Protection des enfants.

DRAINAGE DE L'EAU

Lorsque le réservoir d'eau est plein, le déshumidificateur s'arrêtera automatiquement.

1. Débranchez le déshumidificateur de la source d'alimentation.
2. Videz le réservoir.
3. Remettez le réservoir en place et vérifiez que le flotteur se déplace librement.
4. Branchez le déshumidificateur sur une source d'alimentation.

Drainage direct de l'eau
Connectez un tuyau d'eau au tuyau à l'arrière du déshumidificateur. Menez l'autre bout vers une vidange. Assurez-vous que l'eau peut être vidangée vers le bas par gravité.

LE FILTRE À AIR

Le filtre à air empêche la poussière et la saleté de pénétrer dans la machine, ce qui prolonge sa durée de vie. Il est important de nettoyer le filtre régulièrement.

Nettoyage du filtre :

1. Enlevez le filtre.
2. Lavez-le à l'eau tiède avec un produit nettoyant doux. Le filtre peut également être nettoyé à l'aide d'un aspirateur.
3. Laissez sécher le filtre et remettez-le en place.

OPÉRATION DE DÉGIVRAGE

L'évaporateur du déshumidificateur peut dégivrer automatiquement s'il fonctionne à une température ambiante inférieure à 18 °C. Le dispositif de dégivrage peut démarrer et fonctionner pendant un certain temps (environ 8 minutes) automatiquement toutes les 40 minutes, voire plus longtemps.

Veillez ne pas éteindre l'interrupteur ou débrancher la fiche d'alimentation du déshumidificateur pendant l'opération de dégivrage.

Ce déshumidificateur n'est pas doté d'une fonction de refroidissement. Il produira de la chaleur lors du fonctionnement et pourrait augmenter la température de la pièce de 1 à 4°C.

ENTRETIEN

- Nettoyez l'unité à l'aide d'un chiffon doux humide. N'utilisez pas de solvants ou des produits de nettoyage abrasifs car cela pourrait endommager l'unité.

RÉVISION

Si le déshumidificateur doit faire l'objet d'un contrôle, vous devez tout d'abord

contacter votre revendeur local.

GARANTIES

2 ans de garantie produit. Veuillez noter que la garantie est uniquement valable en produisant un reçu.

RANGEMENT

Avant de ranger l'unité, veuillez suivre les étapes suivantes :

1. Assurez-vous que le réservoir d'eau est vide. Lorsque l'unité est allumée, assurez-vous qu'elle fonctionne en mode Ventilation pendant au moins 30 minutes pour évacuer l'eau à l'intérieur de l'unité.
2. Ramassez et regroupez le cordon d'alimentation.
3. Nettoyez le filtre.
4. Rangez dans un endroit propre et sec.

CONSEILS

Lorsque le déshumidificateur est utilisé dans des environnements extrêmement humides ou lorsque la température est inférieure à 5 °C, il cessera de fonctionner. Une grande quantité de glace s'accumule sur le serpentin de réfrigération. Éteignez le déshumidificateur et placez-le légèrement au-dessus du niveau du sol pour que la glace fonde.

Il peut être parfois utile d'utiliser un aérotherme pour s'assurer que la température ne descend pas en dessous de 10 °C. Même si le MDX14 fonctionne à des températures aussi basses que 5 °C, sa capacité augmentera à des températures plus élevées car l'air chaud transporte plus d'eau.

L'hydrostat a une marge d'erreur d'environ de +/- 5-10 %. À des températures plus basses, la marge d'erreur pourrait encore augmenter.

Attendez-vous à une capacité de déshumidification plus élevée en automne/été car l'air extérieur est plus chaud et plus humide.

IMPORTANT ! - Les déshumidificateurs Wood's doivent être branchés sur une prise de terre.
La norme électrique doit être de 220 V-240 V 50 Hz

PROBLÈME	SOLUTION
Le déshumidificateur ne s'allume pas	<ul style="list-style-type: none"> - Vérifiez que le déshumidificateur est branché correctement et que le fusible n'a pas sauté - Si le voyant d'avertissement est allumé, vérifiez que le réservoir de collecte de l'eau est vide et placé correctement dans le déshumidificateur. Vérifiez que le flotteur est libre
Le déshumidificateur ne fonctionne pas	<ul style="list-style-type: none"> - Vérifiez que le ventilateur tourne correctement - Vérifiez si l'air peut circuler librement dans le déshumidificateur. La grille supérieure et le filtre à air doivent être propres et le déshumidificateur placé à 30 cm des murs. - Tendez l'oreille pour un bruit du compresseur, mais gardez à l'esprit que le déshumidificateur peut s'arrêter lorsque l'humidité ambiante atteint l'humidité de réglage. - Vérifiez qu'une épaisse couche de glace ne s'est pas formée sur les serpentins de réfrigération.
Niveau sonore élevé	<ul style="list-style-type: none"> - Éloignez le déshumidificateur des surfaces alentours - Les serpentins de réfrigération se touchent peut-être, entraînant ainsi des vibrations. Débranchez le déshumidificateur et séparez les serpentins.
Le déshumidificateur ne s'éteint pas une fois le réservoir rempli d'eau	<ul style="list-style-type: none"> - Il est important que le flotteur puisse se déplacer librement dans le réservoir. Si ce n'est pas le cas, celui-ci ne se déclenchera pas lors de la montée du niveau de l'eau et le déshumidificateur ne s'arrêtera pas
Il n'y a pas d'eau qui s'écoule dans le réservoir	<ul style="list-style-type: none"> - Vérifiez qu'il n'y a pas d'obstruction au niveau du bac de récupération au-dessus du réservoir de collecte de l'eau
FL	<ul style="list-style-type: none"> - Le réservoir d'eau est plein. Videz le réservoir d'eau et remettez-le à sa place.
E1	<ul style="list-style-type: none"> - Erreur du capteur de température et d'humidité. Remplacez le capteur de température et d'humidité.

Si les solutions ci-dessus ne fonctionnent pas, veuillez contacter votre revendeur le plus proche pour faire contrôler votre déshumidificateur ou le faire réparer.

CARACTÉRISTIQUES TECHNIQUES

	MDX14
Surface max.	40m ²
Débit d'air en vitesse 1	100m ³ /h
Débit d'air en vitesse 2	120m ³ /h
Déshumidification à 20 °C et 70 % h.r.	6,0 l/24 h
Déshumidification à 30 °C et 80 % h.r.	10 l/24 h
Puissance à 20 °C et 70 % h.r.	180 W
Consommation d'énergie à 20 °C et 70 % h.r.	4,3 kWh/24 h
Volume du réservoir	1,5 litres
Réfrigérant	R290
Charge R290	40 g
Tension	220-240V
Fréquence	50 Hz
Courant	1A
Code IP	IPX2
Niveaux sonores en décibels	43dB
Poids	9,1 kg
Dimensions en mm, L x B x H	293x183x493

*Des modifications et des améliorations techniques peuvent être apportées. Toutes les valeurs sont approximatives et peuvent varier en raison des circonstances externes telles que la température, la ventilation et l'humidité.



REMARQUE !

Inscrivez-vous à www.warranty-woods.com et découvrez comment prolonger la garantie. Veuillez consulter www.woods.se pour de plus amples informations.

Limites conseillées lors de l'utilisation

Temp. 5 °C à 35 °C
 Humidité relative : 30 % à 90 %
 Niveau d'humidité conseillé :
 approx. 50 % HR

Garanties

Garantie consommateur de 2 ans contre les défauts de production. Veuillez noter que la garantie est uniquement valable en produisant un reçu. La garantie est uniquement valable si le produit est utilisé conformément aux instructions et aux avertissements de sécurité indiqués dans ce manuel. La garantie ne couvre pas les dommages causés par la manipulation inadéquate du produit.

REMARQUE : La garantie de 2 ans est uniquement applicable aux consommateurs et pas à l'utilisation commerciale de l'unité.

WOOD'S: UNO LOS DESHUMIDIFICADORES LÍDERES DEL MUNDO

Los deshumidificadores de Wood's han gozado de una fama como líderes del mercado durante muchos años. Sus deshumidificadores son aptos para su uso en los climas más exigentes, donde la capacidad de deshumidificación es buena incluso a temperaturas y niveles de humedad distintos. Se utilizan con buenos resultados en lugares que tienden a ser húmedos, como sótanos, garajes o casas de verano. También son excelentes para el lavado de secado, áticos, cuartos de la piscina y de la colada. Eficiencia y bajo consumo de energía. No desgasta la ropa.

La cantidad de humedad que el deshumidificador elimina depende de la temperatura, el nivel de humedad y la ubicación. Las condiciones meteorológicas externas también pueden afectar al rendimiento del deshumidificador. Con un tiempo frío, la humedad absoluta disminuye y, así, la extracción de la humedad del aire por el deshumidificador se reduce. (La humedad relativa todavía podría estar en un nivel alto.) Los deshumidificadores de Wood's son seguros en funcionamiento y están diseñados para su uso durante muchos años.

Los deshumidificadores de Wood's son seguros en funcionamiento y están diseñados para su uso continuo durante muchos años.

HUMEDAD EXCESIVA EN EL AIRE: UN PELIGRO

La condensación se produce cuando el vapor de agua en el aire entra en contacto con una superficie fría, como una ventana o una pared frías. Cuando el vapor de agua se enfría, se produce condensación y se forman gotas de agua. Con una humedad alta en el aire, este puede ponerse mohoso y provocar la aparición de moho, provocando daños a una casa y a sus muebles. Este entorno puede incluso provocar enfermedades para los ocupantes de la casa. Los ácaros y las arañas también proliferan en un entorno húmedo. Un deshumidificador con un alto rendimiento crea un nivel de humedad bueno y saludable. Para que la eficiencia sea máxima, se deben mantener cerradas las puertas y ventanas de las habitaciones que se están deshumidificando. Elimina los olores, seca la madera y elimina la humedad del equipo de exteriores.

1. ADVERTENCIAS DE SEGURIDAD



Material inflamable. Este electrodoméstico contiene R290/propano, un refrigerante inflamable.



Para obtener información sobre seguridad, consulte este manual.



Lea el Manual técnico



Lea el Manual del operador.

INFORMACIÓN DE SEGURIDAD

Antes de la instalación y uso del electrodoméstico, lea detenidamente las instrucciones suministradas. El fabricante no es responsable de las lesiones y los daños provocados como consecuencia de una instalación y un uso incorrectos. Guarde siempre las instrucciones con el electrodoméstico para consultarlas en el futuro.

Seguridad de los niños y de las personas vulnerables

ADVERTENCIA

Riesgo de lesiones o incapacidad permanente. Este electrodoméstico puede ser utilizado por niños de 8 años o más y personas con capacidades físicas, sensoriales o mentales reducidas o falta de experiencia y conocimientos, si se les ha dado

supervisión o instrucciones sobre el uso del electrodoméstico de manera segura y comprenden los riesgos que implica. No permita que los niños jueguen con el electrodoméstico.

Los niños menores de 3 años deben mantenerse alejados, a menos que estén continuamente supervisados.

Mantenga todo el embalaje lejos de los niños.

La limpieza y el mantenimiento del usuario no se deben realizar por niños sin supervisión.

Seguridad general

Este electrodoméstico está diseñado para ser utilizado en aplicaciones domésticas y similares tales como: sótanos, semisótanos, zonas de la cocina del personal en tiendas, oficinas y otros entornos de trabajo. La placa de clasificación se encuentra en la parte posterior o lateral del deshumidificador. Mantenga las aperturas de ventilación libres de obstrucciones.

No utilice dispositivos mecánicos ni otros medios para acelerar el proceso de descongelación, excepto los recomendados por el fabricante.

El electrodoméstico no debe guardarse en una habitación con fuentes de ignición que estén en funcionamiento (por ejemplo, llamas abiertas, un aparato de gas en funcionamiento o un calentador eléctrico que funcione). No lo perfore ni lo queme. Tenga en cuenta que es posible que los refrigerantes no

contengan olor. No utilice agua pulverizada ni vapor para limpiar el electrodoméstico. Limpie el electrodoméstico con un paño suave y húmedo. Utilice solo detergentes neutros. No utilice productos abrasivos, almohadillas de limpieza abrasivas, disolventes ni objetos metálicos.

Si el cable de alimentación está dañado, debe ser sustituido por el fabricante, su Centro de servicio autorizado o por personas de cualificación similar para evitar riesgos.

INSTRUCCIONES DE SEGURIDAD

Instalación

ADVERTENCIA



Solo una persona cualificada debe instalar este electrodoméstico.

Retire todo el embalaje.

No instale ni utilice un electrodoméstico dañado.

El electrodoméstico debe instalarse, manejarse y guardarse en una habitación con una superficie de suelo superior a 2 m². Siga las instrucciones de instalación suministradas con el electrodoméstico.

Tenga siempre cuidado al mover el electrodoméstico porque es pesado. Use siempre guantes de seguridad.

Asegúrese de que el aire pueda circular alrededor del electrodoméstico.

Espere al menos 4 horas antes de conectar el electrodoméstico a la fuente de alimentación. De esta manera, se permite que el aceite vuelva a entrar en el compresor.

No instale el electrodoméstico cerca de radiadores ni otras fuentes de calor.

No instale el electrodoméstico donde haya luz directa del sol.

Conexión eléctrica

ADVERTENCIA



Riesgo de incendio y de descarga eléctrica.

El electrodoméstico debe conectarse a una toma de corriente conectada a tierra.

Asegúrese de que la información eléctrica de la placa de clasificación coincida con la fuente de alimentación. De lo contrario, póngase en contacto con un electricista.

Utilice siempre un enchufe a prueba de descargas correctamente instalado.

No utilice adaptadores de enchufes múltiples ni alargadores.

Asegúrese de no causar daños a los componentes eléctricos (p. ej., enchufe de red, cable de red).

Póngase en contacto con el Centro de asistencia autorizado o con un electricista para cambiar los componentes eléctricos.

El cable de red debe permanecer por debajo del nivel del enchufe de red.

Conecte el enchufe de la red a la toma de corriente solamente al final de la instalación.

Asegúrese de que haya acceso al enchufe de red después de la instalación.

No tire del cable de red para desconectar el electrodoméstico. Tire siempre del enchufe de red.

Uso

ADVERTENCIA



Riesgo de lesiones, quemaduras, descarga eléctrica o incendio. No modifique las especificaciones de este electrodoméstico.

Tenga cuidado de no causar daños en el circuito refrigerante. Contiene propano (R290), un gas natural con un alto nivel de compatibilidad medioambiental. Este gas es inflamable.

Si se produce algún daño en el circuito del refrigerante, asegúrese de que no haya llamas y fuentes de ignición en la habitación. Ventile la habitación.

No deje productos inflamables ni artículos que estén mojados con productos inflamables cerca o sobre el electrodoméstico.

Eliminación

ADVERTENCIA



Riesgo de lesiones.

Desconecte el electrodoméstico de la red eléctrica.

Corte el cable de alimentación y deséchelo.

El circuito refrigerante de este electrodoméstico es respetuoso con el ozono. Póngase en contacto con las autoridades municipales para obtener información sobre cómo desechar el electrodoméstico correctamente. No provoque daños en la parte de la unidad de refrigeración que está cerca del intercambiador de calor.

CONFIGURACIÓN DEL DESHUMIDIFICADOR DE CARA A SU INSTALACIÓN

IMPORTANTE:

2. Instalación

ANTES DE UTILIZARLO POR PRIMERA VEZ

Deje reposar la máquina durante 4 horas antes de usarla

Selección de la ubicación

Importante

1. Para que sea lo más eficaz posible, el deshumidificador debe funcionar en un área cerrada. Cierre todas las puertas, ventanas y otras aberturas exteriores que tenga la habitación. La eficacia del deshumidificador depende de la velocidad a la que entra aire húmedo en la habitación.
2. Coloque el deshumidificador en un lugar que no restrinja el flujo de aire a través de la parte delantera de la unidad.
3. Un deshumidificador que esté funcionando en una habitación tendrá poco o ningún efecto a la hora de secar un área de almacenamiento cerrada adyacente, como puede ser un armario, a menos que haya una circulación adecuada de aire dentro y fuera del área. Puede que haya que instalar un segundo deshumidificador en el área cerrada para obtener un secado satisfactorio.
4. Asegúrese de que la unidad esté colocada sobre una superficie plana y estable. Si la superficie no es estable, corre el riesgo de que haya un exceso de vibración y de que se filtre agua.
5. Debe haber un espacio despejado mínimo de 30 cm alrededor de la unidad.

DESCRIPCIÓN DEL PRODUCTO

3. Descripción del producto

A

1. Cubierta delantera
2. Ruedas
3. Panel superior

B

1. Filtro
2. Puerto de desagüe continuo

C

1. Depósito de agua

D

1. Panel superior

E

Panel de control

1. Botón de encendido (POWER): Ponga en marcha o pare la unidad
2. Botón del temporizador (TIMER): Configure el temporizador, consúltelo y cáncélelo.
3. Botón de velocidad (SPEED): El ventilador funcionará a velocidad baja o alta.
4. Botón ascendente (UP): Ajuste la humedad o el tiempo.
5. Botón descendente (DOWN): Ajuste la humedad o el tiempo.
6. Botón de modo (MODE): Ventilador --- Ecológico --- Secadora --- Automático --- Deshumidificación

F

1. Cubierta delantera
2. Cubierta derecha
3. Depósito de agua

G

1. Panel de control
2. Filtro
3. Puerto de desagüe continuo
4. Cubierta trasera
5. Salida de aire
6. Cubierta izquierda
7. Rueda

H

1. Mantenga el panel superior alejado de otros objetos a una distancia de al menos 50 cm.
2. Mantenga una distancia superior a 30 cm entre la máquina y los objetos o paredes circundantes.

I

1. Desagüe manual
2. Desagüe continuo

COLOCACIÓN DEL DESHUMIDIFICADOR

- El deshumidificador no debe colocarse cerca de radiadores ni otras fuentes de calor ni exponerse a la luz directa del sol, ya que ello reducirá su rendimiento.
- Lo ideal es ponerlo en el centro de la habitación/zona.



NOTA: Cuando se coloca en una cabina de ducha o zona de baño, el deshumidificador debe fijarse en su sitio. Es obligatorio comprobar y respetar la normativa eléctrica locales en materia de cuartos de baño antes de su uso.

USO DEL DESHUMIDIFICADOR

Si el deshumidificador se transporta horizontalmente, déjelo reposar durante 4 horas antes de utilizarlo. Es muy importante que el aceite vuelva a entrar en el compresor. De lo contrario el deshumidificador puede resultar seriamente dañado.

1. Compruebe que el depósito de agua esté colocado correctamente.
2. Conecte el deshumidificador a una fuente de alimentación conectada a tierra.
3. Configure la función o el nivel de humedad deseado. Consulte la sección sobre el control de humedad.

MANUAL DE FUNCIONAMIENTO

1. Botón de encendido: Con este botón se puede controlar el encendido y el apagado de la máquina.
2. Botón de Modo: Púlselo para seleccionar el modo deseado. Puede pasar a Deshumidificación normal, Deshumidificación ecológica, Deshumidificación automática, Modo de ventilación y Modo de secado de ropa.

MODO ECOLÓGICO

Cuando la unidad funciona en el MODO ECOLÓGICO, el nivel de humedad predeterminado es de una HR del 60 %.

- a) Cuando la humedad ambiental es $\geq 60\%$, la unidad funcionará como deshumidificación y la velocidad del ventilador no se puede ajustar.
- b) Cuando la humedad ambiental es $< 60\%$, la unidad funcionará como ventilador y la velocidad del ventilador no se puede ajustar.
- c) El nivel de humedad no se puede ajustar.

MODO DE VENTILADOR

En este modo, el compresor no funcionará, el ventilador funciona a baja velocidad por defecto solo para ventilación, la velocidad del ventilador se puede ajustar, el nivel de humedad no se puede configurar, el nivel de humedad ambiental (30-90 % de HR) se indicará en el panel de visualización.

MODO DE SECADO

En este modo, el compresor funcionará de forma continuada y el ventilador funciona a alta velocidad, independientemente de la humedad de la habitación. Se aplica la función de protección de retardo de tres minutos, no se pueden ajustar la velocidad del ventilador y el nivel de humedad, en el panel de visualización se indicará el nivel de humedad ambiental (HR del 30-90 %).

MODO AUTOMÁTICO

Cuando la unidad funciona en el MODO AUTOMÁTICO, el nivel de humedad predeterminado es de una HR del 50 %.

- a) Cuando la humedad es $\geq 70\%$, el compresor y el ventilador funcionan a potencia máxima y la velocidad del ventilador no se puede ajustar.
- b) Cuando el nivel de humedad está entre el 50 y el 70 %, la unidad funciona a una capacidad inferior. En este modo, la velocidad del ventilador no se puede ajustar.
- c) Cuando la humedad ambiental es $< 50\%$, la unidad funcionará como ventilador a baja velocidad y la velocidad del ventilador no se puede ajustar.

d) El nivel de humedad ambiental (HR del 30-90 %) se indicará en el panel de visualización, la humedad no se puede ajustar.

MODO DE DESHUMIDIFICACIÓN

La unidad funcionará en el modo de deshumidificación cuando se encienda por primera vez o se elija mediante la conversión del modo, la velocidad del ventilador es alta por defecto, presione ARRIBA y ABAJO para ajustar la configuración de la humedad (35-85 %).

3. Configuración de la humedad: Solo en modo normal, el deslizamiento horizontal de forma eficaz; se puede configurar la humedad entre el 35 y el 85 % (factor de ajuste del 5 %), la configuración de la humedad solo es válida en el modo de deshumidificación.
4. Temporizador: Puede configurar cuánto tiempo estará en funcionamiento la unidad o cuándo se pondrá en marcha. Puede seleccionar de 1 a 24 horas.
5. Velocidad del ventilador: La tecla de velocidad solo es válida en los modos de deshumidificación y de ventilación.
6. Bloqueo infantil: Pulse «Timer» (Temporizador) y «Speed» (Velocidad) a la vez para configurar o desactivar la función de bloqueo infantil.

DESAGÜE DEL AGUA

Cuando el depósito de agua está lleno, el deshumidificador se apagará automáticamente.

1. Desconecte el deshumidificador de la fuente de alimentación.
2. Vacíe el depósito de agua.
3. Vuelva a colocar el depósito de agua vacío y compruebe que el flotador se mueva libremente.
4. Conecte el deshumidificador a la fuente de alimentación.

Desagüe del agua directo

Conecte una manguera de agua a la tubería de la parte posterior del deshumidificador. Lleve el otro extremo a un desagüe. Asegúrese de que el agua se pueda drenar hacia abajo por gravedad.

FILTRO DE AIRE

El filtro de aire evita que entre polvo y suciedad en la máquina, prolongando su esperanza de vida. Es importante que el filtro se limpie regularmente.

Limpieza del filtro:

1. Retire el filtro.
2. Lávelo con agua tibia y un agente limpiador suave. Otra opción es limpiar el filtro con vacío.
3. Deje que el filtro se seque y vuelva a colocarlo.

OPERACIÓN DE DESCONGELACIÓN

El evaporador del deshumidificador se puede descongelar automáticamente si funciona a una temperatura ambiental inferior a 18 °C. El dispositivo de descongelación se puede poner en marcha y funcionar durante algún tiempo (unos 8 minutos) automáticamente cada 40 minutos o incluso más.

No apague el interruptor ni quite el enchufe del deshumidificador durante la operación de descongelación.

Este deshumidificador no tiene función de refrigeración. Producirá calor durante el funcionamiento y puede aumentar la temperatura ambiental de 1 a 4 °C.

MANTENIMIENTO

- Limpie la unidad con un paño suave y húmedo. No utilice disolventes ni limpiadores fuertes, ya que ello podría dañar la superficie de la unidad.

SERVICIO

Si el deshumidificador requiere una puesta a punto, primero debe ponerse en contacto con su vendedor minorista local.

GARANTÍAS

Garantía de dos años del producto. Tenga en cuenta que la garantía solo es válida tras la presentación del tique de compra.

ALMACENAMIENTO

Antes de guardar la unidad, siga estos pasos:

1. Asegúrese de que el depósito de agua esté vacío. Cuando la unidad esté encendida, asegúrese de que la unidad funcione en el modo de Ventilación durante al menos 30 minutos para extraer el agua que haya dentro de la unidad.
2. Recoja y haga un ovillo del cable de alimentación.
3. Limpie el filtro.
4. Guárdela en un entorno limpio y seco.

CONSEJOS

Cuando el deshumidificador se utiliza en entornos extremadamente húmedos o cuando la temperatura es inferior a +5 °C, el deshumidificador dejará de funcionar. Una gran cantidad de hielo se acumula en la bobina de refrigeración. Apague el deshumidificador y colóquelo un poco por encima del nivel del suelo para que el hielo se derrita.

A veces puede ser útil utilizar un calefactor para asegurarse de que la temperatura no se sitúe por debajo de +10 °C. Incluso si el MDX14 funciona hasta temperaturas tan bajas como +5 °C, su capacidad aumentará a temperaturas más altas ya que el aire caliente transporta más agua.

El hidrostato tiene un margen de error de aprox. +/- 5-10 %. A temperaturas más bajas, el margen de error podría aumentar más.

En otoño y verano podrá tener una mayor capacidad de deshumidificación ya que el aire del exterior es más caliente y más húmedo.

¡IMPORTANTE! - Los deshumidificadores de Wood's deben conectarse a una fuente de alimentación con conexión a tierra. La fuente de alimentación debe ser 220V-240V 50Hz

PROBLEMA	SOLUCIÓN
El deshumidificador no arranca	<ul style="list-style-type: none"> - Compruebe que el deshumidificador está conectado a la electricidad y que no hayan saltado los fusibles - Si la luz de advertencia está encendida, compruebe que el depósito de agua esté vacío y correctamente colocado en el deshumidificador. Compruebe que el flotador se mueve libremente
No deshumidifica	<ul style="list-style-type: none"> - Compruebe que el ventilador gira - Compruebe que el aire puede fluir libremente por el deshumidificador. La parrilla superior y el filtro del aire deben estar limpios y el deshumidificador debe estar colocado a 30 cm de las paredes. - Escuche el sonido que hace el compresor, pero tenga en cuenta que el deshumidificador puede detenerse cuando la humedad ambiental alcance la humedad configurada. - Compruebe que no se haya formado una capa gruesa de hielo en las bobinas de refrigeración.
Alto nivel de ruido	<ul style="list-style-type: none"> - Aumente la distancia entre el deshumidificador y las superficies circundantes - Las bobinas de refrigeración pueden estar en contacto entre sí y provocar vibraciones. Desconecte el deshumidificador de la electricidad y separe las bobinas.
No se apaga cuando el depósito de agua está lleno	<ul style="list-style-type: none"> - Es importante que el flotador se mueva libremente en el depósito de agua. Si no lo hace, no responderá a los niveles de agua e impedirá que el deshumidificador se detenga
No entra agua en el depósito	<ul style="list-style-type: none"> - Compruebe si hay obstrucción en la bandeja de goteo por encima del depósito de agua
FL	<ul style="list-style-type: none"> - El depósito de agua está lleno. Vacíe el depósito de agua y vuelva a colocarlo.
E1	<ul style="list-style-type: none"> - Fallo del sensor de humedad/temperatura. Sustituya el sensor de humedad/temperatura.

Si ninguna de las opciones anteriores funciona, póngase en contacto con su vendedor minorista para que compruebe y revise el deshumidificador.

DATOS TÉCNICOS

	MDX14
Zona de trabajo máx.	40 m ²
Paso 1 del flujo de aire	100 m ³ /h
Paso 2 del flujo de aire	120 m ³ /h
Deshumidificación a 20 °C y 70 % de HR	6,0 l / 24 h
Deshumidificación a 30 °C y 80 % de HR	10 l / 24 h
Potencia a 20 °C y 70 % de HR	180 W
Consumo de energía a 20 °C y 70 % de HR	4,3 kWh / 24 h
Volumen del depósito	1,5 litros
Refrigerante	R290
Charge R290	40 g
Tensión	220-240V
Frecuencia	50Hz
Corriente	1A
Código IP	IPX2
Nivel de ruido en decibelios	43dB
Peso	9,1 kg
Dimensiones en mm, L x Anch. x Alt.	293x183x493

*Puede haber cambios técnicos y mejoras. Todos los valores son aproximados y pueden variar debido a circunstancias externas tales como la temperatura, la ventilación y la humedad.



¡NOTA!

Regístrese en www.warranty-woods.com y descubra cómo puede ampliar la garantía. Para obtener más información, visite www.woods.se.

Límites de uso recomendados

Temp. de +5 °C a +35 °C
 Humedad relativa: de 30 % a 90 %
 Nivel de humedad recomendado:
 apr. 50 % HR

Garantías

Garantía de dos años para el consumidor por fallos de producción. Tenga en cuenta que la garantía solo es válida tras la presentación del tique de compra. La garantía solo es válida si el producto se utiliza de acuerdo con las instrucciones y advertencias de seguridad incluidas en este manual. La garantía no cubre los daños causados por la manipulación incorrecta del producto.

NOTA: La garantía de dos años solo se aplica a los consumidores y no al uso comercial de la unidad.

WOOD'S, EEN VAN DE WERELDLEIDERS OP HET GEBIED VAN LUCHTONTVOCHTIGERS

Wood's ontvochtigers staan al vele jaren bekend als marktleidend. De luchtontvochtigers van Wood's zijn geschikt voor gebruik in de meest veeleisende klimaten, waar de ontvochtigingscapaciteiten goed zijn, zelfs bij verschillende temperaturen en luchtvochtigheid. Ze worden met goed resultaat gebruikt in panden en ruimtes die vochtig worden, zoals kelders, garages of zomerhuisjes. Ze zijn tevens uitstekend geschikt voor het drogen van de was, zolders, biljartgelegenheden en wasserijen. Efficiënt en laag energieverbruik. Geen slijtage aan kleding.

De hoeveelheid vocht die een luchtontvochtiger verwijderd hangt af van de temperatuur, vochtigheidsgraad en plaatsing. Ook externe weersomstandigheden kunnen van invloed zijn op de prestaties van de luchtontvochtiger. Bij koud weer gaat de absolute luchtvochtigheid omlaag en daarom onttrekt de luchtontvochtiger minder vocht uit de lucht. (De relatieve luchtvochtigheid kan nog steeds op hoog zijn.) Wood's luchtontvochtigers zijn veilig te bedienen en bedoeld voor jarenlang gebruik.

Wood's luchtontvochtigers zijn veilig te bedienen en bedoeld om jarenlang onafgebroken gebruikt te worden.

OVERMATIGE LUCHTVOCHTIGHEID - EEN GEVAAR

Condensatie treedt op wanneer waterdamp in de lucht in aanraking komt met een koud oppervlak zoals een koud raam of muur. Bij het afkoelen van waterdamp ontstaat condensatie en er worden waterdruppels gevormd. Bij een hoge luchtvochtigheid kan de lucht muff worden en kan er schimmelvorming optreden, dit veroorzaakt schade aan een huis en alles wat er in staat. Deze omgeving kan zelfs leiden tot ziekte bij de bewoners. Ook mijten en spinnen gedijen goed in een vochtige omgeving. Een luchtontvochtiger met hoge prestaties zorgt voor een goede, gezonde luchtvochtigheid. Voor de grootste efficiëntie moeten de deuren en ramen van de ruimtes die ontvochtigd worden, gesloten worden gehouden. Verwijderd reuk, droogt hout en verwijderd vocht uit outdoor kleding.

1. VEILIGHEIDS- WAARSCHUWINGEN



Ontvlambaar materiaal. Dit apparaat bevat R290/propana, een ontvlambaar koelmiddel.



Raadpleeg deze handleiding voor veiligheidsinformatie.



Lees de technische handleiding



Lees de gebruikshandleiding.

VEILIGHEIDSINFORMATIE

Lees vóór installatie en gebruik van het apparaat de bijgeleverde handleidingen aandachtig door. De fabrikant is niet verantwoordelijk als onjuiste installatie en gebruik leiden tot letsel en schade. Houd de handleidingen altijd bij het apparaat voor toekomstig gebruik.

Veiligheid kinderen en kwetsbare personen

WAARSCHUWING



Risico op letsel of blijvende invaliditeit.

Dit apparaat kan worden gebruikt door kinderen van 8 jaar en ouder en personen met verminderde lichamelijke, zintuiglijke of mentale vermogens of gebrek aan ervaring en kennis indien zij op een veilige manier begeleid worden of instructie hebben gekregen over

het gebruik van het apparaat en de gevaren begrijpen.

Laat kinderen niet met het apparaat spelen.

Kinderen jonger dan 3 jaar moeten van het apparaat weggehouden worden, tenzij zij onder voortdurend toezicht staan.

Houd alle verpakkingen uit de buurt van kinderen.

Reiniging en gebruikersonderhoud mogen niet door kinderen worden uitgevoerd zonder dat er toezicht is.

Algemene veiligheid

Dit apparaat is bedoeld om te worden gebruikt in huishoudelijke en soortgelijke toepassingen, zoals: kelders, kruipruimten; personeelskeukens in winkels, kantoren en andere werkomgevingen. Het typeplaatje zit aan de achterzijde of aan de zijkant van de ontvochtiger. Zorg dat de ventilatieopeningen niet geblokkeerd worden.

Gebruik geen mechanische apparaten of andere middelen om het ontdooiproces te versnellen, anders dan die door de fabrikant aanbevolen.

Het apparaat mag niet worden opgeslagen in een ruimte met werkende ontstekingsbronnen (bijv. open vuur, een gasapparaat in gebruik of een werkende elektrische kachel. Niet doorboren of branden.

Let op dat koelmiddelen geen geur mogen bevatten. Gebruik geen waterstraal en stoom om het apparaat schoon te maken. Reinig het apparaat met een vochtige

zachte doek. Gebruik alleen neutrale schoonmaakmiddelen. Gebruik geen schurende producten, schuursponsen, oplosmiddelen of metalen voorwerpen.

Indien het netsnoer beschadigd is, moet het worden vervangen door de fabrikant, een erkend servicecentrum of gelijkwaardig gekwalificeerde personen om problemen te voorkomen.

VEILIGHEIDSINSTRUCTIES

Installatie

WAARSCHUWING



Dit apparaat mag alleen door een gekwalificeerd persoon geïnstalleerd worden. Verwijder alle verpakkingen. Installeer of gebruik geen beschadigd apparaat. Het apparaat moet geïnstalleerd, gebruikt en opgeslagen worden in een ruimte met een vloeroppervlak van ten minste 2 m². Volg de installatie-instructie die bij het apparaat is meegeleverd. Wees altijd voorzichtig wanneer u het apparaat verplaatst omdat het zwaar is. Draag altijd veiligheidshandschoenen.

Zorg ervoor dat er lucht rond het toestel kan circuleren.

Wacht minimaal 4 uur voordat u het apparaat aansluit op het net. Dit is om de olie terug te laten stromen naar de compressor. Installeer het toestel niet vlak bij radiatoren of andere warmtebronnen.

Installeer het toestel niet in direct zonlicht.

Elektrische aansluiting

WAARSCHUWING



Gevaar voor brand en elektrische schokken.

Het apparaat moet op een geaard stopcontact zijn aangesloten.

Zorg dat de elektrische gegevens op het typeplaatje overeenkomen met de netspanning. Is dat niet het geval dan moet u contact opnemen met een elektricien.

Gebruik altijd een correct geïnstalleerd slagvast stopcontact.

Gebruik geen stekkerdozen en verlengkabels.

Zorg ervoor dat u de elektrische componenten niet beschadigt (bijv. stekker, netsnoer).

Neem contact op met het geautoriseerde servicecentrum of een elektricien om de elektrische componenten te vervangen.

Het netsnoer moet lager liggen dan de stekker.

Steek pas aan het einde van de installatie de stekker in het stopcontact.

Controleer of u na de installatie bij de stekker kunt.

Trek niet aan het netsnoer om het apparaat los te koppelen. Trek altijd aan de stekker.

Gebruik

WAARSCHUWING



Risico op letsel, brandwonden, elektrische schokken of brand.

Wijzig de specificatie van dit toestel niet.

Zorg ervoor dat u het koelcircuit niet beschadigt. Het bevat propaan (R290), een natuurlijk gas met een grote milieu-compatibiliteit. Dit gas

is ontvlambaar.

Als er schade aan het koelcircuit ontstaat moet u ervoor zorgen dat er geen vlammen of andere ontstekingsbronnen in de ruimte zijn. Ventileer de kamer. Zet geen brandbare producten of voorwerpen die nat zijn van brandbare stoffen in de buurt van of op het apparaat.

Afvoeren

WAARSCHUWING



Risico op letsel.

Koppel het apparaat los van het net.

Knip het netsnoer af en gooi dit weg.

Het koelcircuit van dit apparaat is ozonvriendelijk. Neem contact op met uw gemeentelijke milieustation voor informatie over hoe u het apparaat correct afvoert. Zorg dat het gedeelte van de koeleenheid dat zich in de buurt van de warmtewisselaar bevindt niet beschadigd raakt.

ONTVOCHTIGER VOORBEREIDEN VOOR INSTALLATIE

BELANGRIJK:

2. Installatie

VOOR HET EERSTE GEBRUIK

Laat de machine 4 uur voor gebruik rechtop staan

Een plek selecteren

Belangrijk

1. De ontvochtiger moet in een gesloten gebied worden gebruikt voor de hoogste effectiviteit. Sluit alle deuren, ramen en andere openingen naar de kamer. De effectiviteit van de ontvochtiger is afhankelijk van de snelheid waarmee vochtige lucht de kamer binnenkomt.
2. Plaats de ontvochtiger op een locatie die de luchtstroom door de voorkant van het apparaat niet belemmert.
3. Een ontvochtiger die in een ruimte aan staat, heeft weinig of geen droogeffect in een aangrenzende afgesloten opslagruimte, zoals een kast, tenzij er voldoende luchtcirculatie in en uit deze ruimte is. Het kan nodig zijn om een tweede ontvochtiger in deze afgesloten ruimte te plaatsen voor een bevredigend droogeffect.
4. Zorg dat de eenheid op een stabiele en vlakke ondergrond staat. Als de ondergrond niet stabiel is, bestaat er een risico op te sterke trillingen en water lekkage.
5. Er moet minimaal 30 cm vrije ruimte rond het apparaat zijn.

PRODUCTBESCHRIJVING

3. Productbeschrijving

- A**
1. Kap voor
 2. Zwenkwielen
 3. Bovenpaneel
- B**
1. Filter
 2. Doorlopende afvoerleiding
- C**
1. Watertank
- D**
1. Bovenpaneel
- E**
- Bedieningspaneel**
1. AAN/UIT-KNOP: Het apparaat starten of stoppen
 2. TIMERKNOP: Stel de timer in, de query timer en annuleer timer.
 3. SNELHEIDSKNOP: Ventilator zal op lage snelheid of hoge snelheid draaien.
 4. KNOP OMHOOG: Past de vochtigheid of timing aan.
 5. KNOP OMLAAG: Past de vochtigheid of timing aan.
 6. MODUSKNOP: Ventilator---Eco---Drogen---Auto---Ontvochtigen
- F**
1. Kap voor
 2. Kap rechts
 3. Watertank
- G**
1. Bedieningspaneel
 2. Filter
 3. Doorlopende afvoerleiding
 4. Kap achter
 5. Luchtuitlaat
 6. Kap links
 7. Zwenkwiel
- H**
1. Houd een afstand aan van tenminste 50 cm tussen het bovenpaneel en andere objecten.
 2. Houd een afstand van meer dan 30cm tussen de machine en de omringende objecten of wanden.
- I**
1. Handmatig afvoeren
 2. Continue afvoer

PLAATSING VAN DE LUCHTONTVOCHTIGER

- De luchtontvochtiger mag niet vlak bij radiators of andere warmtebronnen of in de volle zon worden geplaatst, omdat hierdoor de prestaties verminderen.
- Ideaal is om het apparaat midden in de kamer/ruimte te plaatsen.



OPMERKING: Wanneer hij in een badkamer wordt geplaatst, moet de luchtontvochtiger worden vastgezet op de door u gekozen plek. Het is verplicht om voor gebruik uw voorschriften betreffende elektriciteit in badkamers te controleren.

GEBRUIK VAN DE LUCHTONTVOCHTIGER

Als de ontvochtiger horizontaal is vervoerd, laat deze dan 4 uur staan voor ingebruikname. Het is zeer belangrijk dat de olie terugloopt naar de compressor, anders kan de luchtontvochtiger ernstig beschadigd raken.

1. Controleer of het waterreservoir correct geplaatst is.
2. Sluit de luchtontvochtiger aan op een geaard stopcontact.
3. Stel de functie of de gewenste luchtvochtigheid in. Zie de sectie over de luchtvochtigheidsregeling.

GEBRUIKSAANWIJZING

1. Aan/uit-knop: Met deze knop u de machine aan- en uit zetten.
2. Modusknop: Druk hierop om de gewenste modus te selecteren. Deze wisselt tussen Normale ontvochtigen, Eco-ontvochtigen, Auto ontvochtigen, Ventilatiemodus en Modus kleding drogen.

ECO-MODUS

Wanneer het apparaat in de ECO-modus werkt, is de standaard vochtigheidsgraad 60% RV.

- a) Wanneer de luchtvochtigheid hoger is dan $\geq 60\%$, werkt het apparaat als ontvochtiger, de ventilatorsnelheid is niet instelbaar.
- b) Wanneer de luchtvochtigheid lager is dan $< 60\%$, werkt het apparaat als ventilator, de ventilatorsnelheid is niet instelbaar.
- c) De vochtigheidsgraad is niet instelbaar.

VENTILATORMODUS

In deze modus werkt de compressor niet, ventilator draait standaard op lage snelheid alleen voor ventilatie, ventilatorsnelheid is instelbaar, vochtigheidsniveau kan niet worden ingesteld, luchtvochtigheid (30-90% RV) staat aangegeven op het display.

MODUS DROGEN

In deze modus zal de compressor continu werken en draait de ventilator op hoge snelheid, ongeacht de luchtvochtigheid van de kamer. De beveiligingsfunctie met een drie minuten inschakelvertraging van de compressor is ingeschakeld, ventilatorsnelheid en vochtigheidsniveau kunnen niet worden aangepast, het luchtvochtigheidsniveau (30-90% RV) staat aangegeven op het display.

AUTO-MODUS

Wanneer het apparaat in de AUTO-MODUS werkt, is de standaard luchtvochtigheid 50% RV

- a) Wanneer de luchtvochtigheid hoger is dan $\geq 70\%$, werken de compressor en ventilator op maximaal vermogen, de ventilatorsnelheid is niet instelbaar.
- b) Wanneer de luchtvochtigheid tussen 50 - 70% ligt, werkt de unit op een lager vermogen. In deze modus is de ventilatorsnelheid niet instelbaar.
- c) Wanneer de luchtvochtigheid lager is dan $< 50\%$, werkt de unit als ventilator op een lage snelheid, de ventilatorsnelheid is niet instelbaar.

d) De luchtvochtigheid (30-90% RV) staat aangegeven op het beeldschermpaneel, de vochtigheid is niet instelbaar.

ONTVOCHTIGINGSMODUS

Het apparaat werkt in de ontvochtigingsmodus wanneer deze voor de eerste keer wordt ingeschakeld of wanneer deze modus geselecteerd is; de ventilatorsnelheid is standaard hoog, druk op OMHOOG en OMLAAG om de vochtigheidsinstelling (35-85%) te wijzigen.

3. Luchtvochtigheid kan worden ingesteld tussen 35%-85%(in stappen van 5%), de luchtvochtigheidsinstelling is alleen geldig in de ontvochtigingsmodus.
4. Timer: U kunt instellen hoelang het apparaat moet werken of wanneer het moet starten. U kunt 1-24 uur selecteren.
5. Ventilatorsnelheid: De snelheidstoets is werkt alleen in de ontvochtigingsmodus en de ventilatiemodus.
6. Kinderslot: Druk op zowel "Timer" als "Snelheid" om de kinderslotfunctie in of uit te schakelen.

WATERAFVOER

Wanneer het waterreservoir vol is, zal de luchtontvochtiger automatisch uitgaan.

1. Haal de stekker van de luchtontvochtiger uit het stopcontact.
2. Leeg het waterreservoir.
3. Plaats het lege waterreservoir terug en controleer of de vlotter vrij beweegt.
4. Sluit de luchtontvochtiger aan op de voeding.

Directe waterafvoer

Sluit een waterslang aan op de pijp aan de achterzijde van de ontvochtiger. Leg het andere uiteinde naar een afvoer. Zorg ervoor dat het water door zwaartekracht naar beneden weg kan lopen.

LUCHTFILTER

Het luchtfilter voorkomt dat stof en vuil in de machine terechtkomen, wat de verwachte levensduur verlengt. Het is belangrijk dat het filter regelmatig wordt gereinigd.

Reiniging van het filter:

1. Verwijder het filter.
2. Was het met warm water en een zacht schoonmaakmiddel. U kunt het filter ook stofzuigen.
3. Laat de filter drogen en zet hem terug.

ONTDOOIEN

De verdamper in de ontvochtiger kan automatisch ontdooien als deze bij de kamertemperatuur van minder dan 18°C wordt gebruikt. Het ontdooiingsmechanisme kan elke 40 minuten of zelfs langer automatisch opstarten en gedurende enige tijd (ongeveer 8 minuten) werken.

Zet tijdens het ontdooien de schakelaar niet uit en trek ook niet de stekker van de ontvochtiger uit het stopcontact.

Deze ontvochtiger heeft geen koelfunctie. Het zal warmte produceren tijdens werking en kan de kamertemperatuur verhogen met 1 tot 4°C.

ONDERHOUD

- Reinig het apparaat met een zachte vochtige doek. Gebruik geen oplosmiddelen of sterke schoonmaakmiddelen omdat deze het oppervlak van het apparaat kunnen beschadigen.

SERVICE

Als de ontvochtiger onderhoud nodig heeft, moet u eerst contact opnemen met uw lokale leverancier.

GARANTIE

2 jaar productgarantie. Houd er rekening mee dat de garantie alleen geldig is na overleg van de aankoopnota.

OPSLAG

Voer de volgende stappen uit voordat het apparaat wordt opgeslagen:

1. Zorg dat de watertank leeg is. Als het apparaat is ingeschakeld, moet u ervoor zorgen dat het apparaat gedurende ten minste 30 minuten in de ventilatiemodus draait om het water uit het apparaat te verwijderen.
2. Rol het netsnoer op.
3. Reinig het filter.
4. Sla op in een schone, droge omgeving.

TIPS

Wanneer de ontvochtiger wordt gebruikt in extreem vochtige omgevingen of wanneer de temperatuur lager is dan +5°C, zal de ontvochtiger niet werken. Een grote hoeveelheid ijs heeft zich op de koelspiraal opgebouwd. Zet de ontvochtiger uit en plaats deze een beetje boven de vloer zodat het ijs wegsmelt.

Het kan soms handig zijn om een kachelventilator te gebruiken om de temperatuur boven de +10°C te houden. De MDX14 functioneert vanaf temperaturen van +5°C, maar de capaciteit ervan zal toenemen bij hogere temperaturen omdat warmere lucht meer water kan bevatten.

De hydrostaat heeft een foutmarge van ca. +/-5-10%. Bij lagere temperaturen kan de foutmarge groter worden.

U kunt een hogere ontvochtigingscapaciteit verwachten tijdens de herfst/zomer omdat de buitenlucht dan warmer en vochtiger is.

BELANGRIJK! Wood's luchtontvochtigers moeten aangesloten worden op een geaard stopcontact. De netaansluiting moet 220-240 V / 50 Hz zijn

PROBLEEM	OPLOSSING
De luchtontvochtiger start niet	<ul style="list-style-type: none"> - Controleer of de luchtontvochtiger is aangesloten op de elektriciteit en of de zekering niet gesprongen is - Als het waarschuwingslampje brandt, controleer of het waterreservoir leeg is en op goed in de luchtontvochtiger is geplaatst. Controleer of de vlotter vrij kan bewegen
Ontvochtigt niet	<ul style="list-style-type: none"> - Controleer of de ventilator draait - Controleer of de lucht vrij door de luchtontvochtiger heen kan stromen. Het rooster aan de bovenkant en het luchtfilter moeten schoon zijn en de luchtontvochtiger moet 30 cm van de muur staan. - Luister naar geluid van compressor, maar houd in gedachten dat de ontvochtiger kan stoppen wanneer de omgevingsvochtigheid de ingestelde luchtvochtigheid heeft bereikt. - Controleer of zich een dikke ijslaag om de koelspiralen heeft gevormd.
Veel lawaai	<ul style="list-style-type: none"> - Vergroot de afstand tussen de luchtontvochtiger en de omringende oppervlakken - Als de koelspiralen elkaar raken, kunnen trillingen ontstaan. Haal de stekker uit het stopcontact en maak de spiralen los van elkaar.
Slaat niet af als het waterreservoir vol is	<ul style="list-style-type: none"> - Het is belangrijk dat de vlotter zich vrij in het waterreservoir kan bewegen. Als dit niet het geval is reageert hij niet op het waterpeil en kan er niet voor zorgen dat de luchtontvochtiger stopt
Er komt geen water in het reservoir	<ul style="list-style-type: none"> - Controleer op verstopping van de lekbak boven het waterreservoir
FL	<ul style="list-style-type: none"> - Watertank is vol. Leeg de watertank en plaats hem terug.
E1	<ul style="list-style-type: none"> - Storing temperatuur-vochtigheidssensor. Vervang de temp-vochtigheidssensor.

Als niets van het hierboven genoemde werkt, neemt dan contact op met uw dichtstbijzijnde leverancier voor het controleren en eventueel herstellen van de luchtontvochtiger.

TECHNISCHE GEGEVENS

MDX14

Max. werkgebied	40 m ²
Luchtdebiet stap 1	100 m ³ /u
Luchtdebiet stap 2	120 m ³ /u
Ontvochtiging bij 20 °C en 70% RV	6,0 l/24 u
Ontvochtiging bij 30 °C en 80% RV	10 l/24 u
Vermogen bij 20 °C en 70% RV	180 W
Energieverbruik bij 20 °C en 70% RV	4,3 kWh/24 u
Tankinhoud	1,5 liter
Koelmiddel	R290
Hoeveelheid R290	40 g
Voltage	220-240V
Frequentie	50 Hz
Stroom	1 A
IP-klasse	IPX2
Geluidsniveau in decibels	43 dB
Gewicht	9,1 kg
Afmetingen in mm, L x B x H	293x183x493

* Technische veranderingen en verbeteringen kunnen voorkomen. Alle waarden zijn bij benadering en kunnen variëren als gevolg van externe omstandigheden zoals temperatuur, ventilatie en luchtvochtigheid.



LET OP:

Registreer u op www.warranty-woods.com en lees meer over hoe u aanspraak kunt maken op uitgebreide garantie. Ga naar www.woods.se voor meer informatie.

Aanbevolen gebruikslimieten

Temp. +5°C tot +35°C

Relatieve luchtvochtigheid: 30% tot 90%

Aanbevolen luchtvochtigheid:
ong. 50% RV

Garanties

2 jaar consumentengarantie tegen productiefouten. Houd er rekening mee dat de garantie alleen geldig is na overleg van de aankoopnota. De garantie is alleen geldig als het product wordt gebruikt in overeenstemming met de instructies en veiligheidswaarschuwingen die in deze handleiding staan aangegeven. De garantie dekt geen schade die wordt veroorzaakt door een onjuiste behandeling van het product.

OPMERKING: De 2 jaar garantie geldt alleen voor consumenten en niet voor commercieel gebruik van het apparaat.

FIRMA WOOD'S JEST JEDNYM Z WIODĄCYCH NA ŚWIECIE PRODUCENTÓW OSUSZACZY

Osuszacze firmy Wood's od lat wiodą prym na rynkach światowych. Osuszacze firmy Wood's przystosowane są do pracy nawet w najbardziej wymagających klimatach. Ich wydajność pozostaje na dobrym poziomie nawet przy różnych temperaturach i poziomach wilgotności. Osuszacze zapewniają bardzo dobre rezultaty w miejscach takich jak piwnice, garaże czy domki letniskowe, w których często panuje duża wilgotność powietrza. Również wspaniale radzą sobie z suszeniem prania, osuszaniem strychów, pralni i sal bilardowych. Efektywność i niskie zużycie energii. Nie niszczy ubrań.

Ilość wilgoci usuwanej przez osuszacz zależy od temperatury, poziomu wilgotności i miejsca ustawienia osuszacza. Zewnętrzne warunki pogodowe również mogą wpłynąć na wydajność osuszacza. W zimnych warunkach poziom wilgotności absolutnej obniża się i z tego powodu zmniejsza się ilość usuwanej przez osuszacz wilgoci z powietrza. (Wilgotność względna może być nadal na wysokim poziomie.) Osuszacze firmy Wood's są bezpieczne w obsłudze i zaprojektowane z myślą o użytkowaniu przez wiele lat.

Osuszacze firmy Wood's są bezpieczne w obsłudze i zaprojektowane z myślą o ciągłym użytkowaniu przez wiele lat.

NADMIERNA WILGOĆ POWIETRZA - ZAGROŻENIE

Do kondensacji dochodzi, kiedy para wodna wchodzi w kontakt z zimną powierzchnią, np. okna lub ściany. Prowadzi to do jej ochłodzenia, kondensacji i powstania kropeł wody. Następnie w miejscach o wysokiej wilgotności powietrza może dochodzić do powstania pleśni i zagrzybienia, które z kolei prowadzi do uszkodzenia lokalu mieszkaniowego i jego mebli. Środowisko to może nawet wywoływać choroby u mieszkańców. Roztocza i pająki również dobrze się rozwijają w wilgotnym środowisku. Osuszacz o wysokiej wydajności zapewnia dobrą, zdrową wilgotność powietrza. W celu zapewnienia najwyższej wydajności drzwi i okna osuszanych pomieszczeń powinny być zamknięte. Osuszacz usuwa nieprzyjemne zapachy, przyjaźnie osusza drewno i usuwa wilgoć ze sprzętu sportowego.

1. OSTRZEŻENIA DOTYCZĄCE BEZPIECZEŃSTWA



Materiał łatwopalny. Urządzenie zawiera palny czynnik chłodniczy R290/Propan.



Informacje dotyczące bezpieczeństwa można znaleźć w tym podręczniku.



Przeczytaj instrukcję techniczną



Przeczytaj instrukcję obsługi.

INFORMACJE DOTYCZĄCE BEZPIECZEŃSTWA

Przed instalacją i użytkowaniem urządzenia należy dokładnie zapoznać się z załączoną instrukcją obsługi. Producent nie ponosi odpowiedzialności, jeśli nieprawidłowy montaż i użytkowanie spowodują obrażenia ciała i szkody. Instrukcję obsługi urządzenia należy zawsze zachować na przyszłość.

Bezpieczeństwo dzieci oraz osób szczególnie podatnych na zagrożenia



OSTRZEŻENIE

Niebezpieczeństwo odniesienia obrażeń i trwałej utraty sprawności. Urządzenie będące przedmiotem tej instrukcji może być użytkowane przez dzieci w wieku od lat 8 wzwyż, przez osoby o ograniczonej sprawności ruchowej, sensorycznej bądź umysłowej oraz przez osoby niemające odpowiedniego

doświadczenia tylko pod warunkiem, że podczas użytkowania pozostają pod nadzorem albo zostały uprzednio poinstruowane w zakresie bezpiecznego użytkowania urządzenia i rozumieją związane z tym zagrożenia.

Nie pozwalać dzieciom bawić się urządzeniem.

Dzieci poniżej 3 roku życia powinny być trzymane z dala od urządzenia, chyba że są pod stałym nadzorem. Przechowywać wszystkie opakowania z dala od dzieci.

Dzieci nie mogą czyścić ani konserwować urządzenia bez nadzoru.

Bezpieczeństwo ogólne
Urządzenie jest przeznaczone do użytku domowego i podobnych zastosowań, jak np: w piwnicach, pustkach podpodłogowych; kuchniach dla personelu w sklepach, biurach i innych miejscach pracy. Tabliczka znamionowa znajduje się za osuszaczem lub po jego bocznej stronie. Otwory wentylacyjne nie mogą być zasłonięte.

Procesu rozmrażania nie należy przyspieszać przy pomocy urządzeń mechanicznych ani żadnych środków innych niż zalecane przez producenta. Urządzenia nie wolno przechowywać w pomieszczeniach, gdzie pracują źródła zapłonu (np. nieosłonięty płomień, działające urządzenie gazowe lub działająca grzałka elektryczna). Nie dziurawić i nie przypalać. Należy pamiętać, że czynniki chłodnicze mogą być bezzapachowe. Nie czyścić urządzenia rozpyloną wodą ani parą. Czyścić urządzenie wilgotną, miękką ściereczką. Stosować wyłącznie detergenty obojętne.

Nie używać produktów ściernych, ściernych podkładek czyszczących, rozpuszczalników lub przedmiotów metalowych.

W razie uszkodzenia przewodu zasilającego należy go wymienić u producenta, w autoryzowanym punkcie serwisowym lub u osób o podobnych kwalifikacjach, aby uniknąć zagrożenia.

WSKAZÓWKI BEZPIECZEŃSTWA

Instalowanie

OSTRZEŻENIE



Tylko wykwalifikowana osoba może zainstalować urządzenie.

Usunąć wszystkie opakowania. Urządzenia uszkodzonego nie instalować ani nie używać. Urządzenie powinno być zainstalowane, obsługiwane i przechowywane w pomieszczeniu o metrażu powyżej 2 m². Zastosować się do instrukcji montażu dołączonej do urządzenia. Zawsze należy zachować ostrożność podczas przenoszenia urządzenia, ponieważ jest ciężkie. Należy zawsze nosić rękawice ochronne.

Upewnić się, że powietrze może krążyć wokół urządzenia.

Przed podłączeniem urządzenia do sieci należy odczekać co najmniej 4 godziny. Ma to na celu umożliwienie powrotu oleju do sprężarki. Nie instalować urządzenia w pobliżu grzejników lub innych źródeł ciepła. Nie instalować urządzenia w miejscach bezpośrednio nasłonecznionych.

Podłączenie elektryczne

OSTRZEŻENIE



Niebezpieczeństwo pożaru i porażenia prądem elektrycznym. Urządzenie musi być podłączone do uziemionego gniazdka. Upewnić się, że informacje

elektryczne zamieszczone na tabliczce znamionowej są zgodne z parametrami zasilania. W przeciwnym razie skontaktować się z elektrykiem.

Należy zawsze używać prawidłowo zainstalowanego gniazda odpornego na wstrząsy.

Nie należy używać adapterów i przedłużaczy wielogniazdowych. Uważać, aby nie uszkodzić elementów elektrycznych (np. wtyczki sieciowej, kabla sieciowego).

W celu wymiany części elektrycznych należy skontaktować się z autoryzowanym punktem serwisowym lub elektrykiem.

Kabel sieciowy musi znajdować się poniżej poziomu wtyczki sieciowej. Wtyczkę sieciową należy podłączać do gniazda sieciowego dopiero po zakończeniu instalacji.

Po zakończeniu instalacji należy upewnić się, że wtyczka sieciowa jest podłączona do gniazdka.

Nie ciągnąć za kabel sieciowy w celu odłączenia urządzenia. Zawsze ciągnąć za wtyczkę sieciową.

Użytkowanie

OSTRZEŻENIE



Niebezpieczeństwo obrażeń, oparzeń, porażenia prądem elektrycznym lub pożaru.

Nie należy zmieniać specyfikacji urządzenia.

Uważać, aby nie uszkodzić obiegu czynnika chłodniczego. Zawiera on propan (R290), gaz ziemny o wysokim poziomie ekologiczności. Gaz ten jest łatwopalny.

Jeśli obieg czynnika chłodniczego ulegnie uszkodzeniu, należy upewnić się, że w pomieszczeniu nie ma płomieni ani źródeł zapłonu. Przewietrzyć pomieszczenie.

W pobliżu urządzenia lub na nim nie

wolno umieszczać produktów lub przedmiotów łatwopalnych, które są zwilżone produktami łatwopalnymi.

Utylizacja

OSTRZEŻENIE



Niebezpieczeństwo odniesienia obrażeń.

Odłączyć urządzenie od zasilania sieciowego.

Odłączyć kabel sieciowy i wyrzucić go.

Obieg czynnika chłodniczego urządzenia jest przyjazny dla warstwy ozonowej. Aby uzyskać informacje na temat prawidłowego wyrzucania urządzenia, skontaktować się z władzami miasta.

Nie wolno dopuścić do uszkodzenia części zespołu chłodzenia urządzenia położonej przy wymienniku ciepła.

PRZYGOTOWANIE OSUSZACZA DO INSTALACJI

WAŻNE:

2. Instalowanie

PRZED PIERWSZYM UŻYCIEM

Przed użyciem pozostawić urządzenie na
4 godziny

Wybieranie lokalizacji

Ważne

1. Aby zapewnić największą skuteczność osuszacza, należy użytkować go w zamkniętym obszarze. Zamknąć wszystkie drzwi, okna i inne otwory zewnętrzne pomieszczenia. Skuteczność osuszacza zależy od szybkości, z jaką wilgotne powietrze jest wprowadzane do pomieszczenia.
2. Osuszacz należy umieścić w miejscu, które nie ogranicza przepływu powietrza przez przednią część urządzenia.
3. Osuszacz działający w pomieszczeniu będzie miał niewielki lub żaden wpływ na osuszenie sąsiedniego zamkniętego obszaru składowania, takiego jak szafa, chyba że istnieje odpowiedni obieg powietrza do i z tego obszaru. Może być konieczne zainstalowanie drugiego osuszacza w zamkniętym obszarze dla zapewnienia zadowalającego efektu suszenia.
4. Upewnij się, że urządzenie jest ustawione na stabilnym, płaskim podłożu. Jeśli powierzchnia nie będzie stabilna, istnieje ryzyko nadmiernych drgań i wycieku wody.
5. Wokół urządzenia należy zapewnić przestrzeń co najmniej 30 cm.

OPIS PRODUKTU

3. Opis produktu

A

1. Osłona przednia
2. Kółka
3. Panel górny

B

1. Filtr
2. Port do spustu ciągłego

C

1. Zbiornik na wodę

D

1. Panel górny

E

Panel sterowniczy

1. Przycisk ZASILANIA: Uruchomienie lub zatrzymanie urządzenia
2. Przycisk REGULATORA CZASOWEGO: Ustawianie, programowanie i anulowanie regulatora czasowego.
3. Przycisk PRĘDKOŚCI: Wentylator będzie działał z niską lub dużą prędkością.
4. Przycisk strzałki W GÓRĘ: Regulacja wilgotności lub czasu.
5. Przycisk strzałki w DÓŁ: Regulacja wilgotności lub czasu.
6. Przycisk TRYBU: Wentylacja --- Ekologiczny --- Suszenie- -- Automatyczny --- Osuszanie

F

1. Osłona przednia
2. Osłona prawa
3. Zbiornik na wodę

G

1. Panel sterowniczy
2. Filtr
3. Port do spustu ciągłego
4. Osłona tylna
5. Wylot powietrza
6. Osłona lewa
7. Kółko

H

1. Górny panel powinien być oddalony od innych obiektów o co najmniej 50 cm.
2. Między maszyną a otaczającymi ją obiektami lub ścianami należy zachować odległość powyżej 30 cm.

I

1. Spust ręczny
2. Spust ciągły

UMIĘJSCOWIENIE OSUSZACZA

- Osuszacz nie należy umieszczać zbyt blisko kaloryferów, innego rodzaju źródeł ciepła lub w miejscach wystawionych na bezpośrednie działanie promieni słonecznych, ponieważ obniża to jego wydajność.
- Najlepiej kiedy osuszacz zostaje umieszczony na środku pokoju/pomieszczenia.



UWAGA: Przy używaniu osuszacza w łazience należy ustawić go w jednym stałym miejscu i nie przenosić go. Przed użyciem osuszacza w łazience należy sprawdzić i zastosować się do lokalnych przepisów dotyczących używania sprzętu elektrycznego w łazienkach.

KORZYSTANIE Z OSUSZACZA

Jeśli osuszacz jest transportowany poziomo, należy odstawić go na 4 godziny przed użyciem. Bardzo ważne jest, aby olej spłynął z powrotem do kompresora, ponieważ osuszacz może ulec poważnemu uszkodzeniu.

1. Sprawdź, czy zbiornik wody został prawidłowo umieszczony.
2. Podłącz osuszacz do uziemionego źródła prądu.
3. Ustaw funkcję lub żądany poziom wilgotności. Patrz rozdział dotyczący kontroli wilgotności powietrza.

INSTRUKCJA OBSŁUGI

1. Przycisk zasilania: Ten przycisk umożliwia sterowanie włączaniem i wyłączaniem urządzenia.
2. Przycisk trybu: Nacisnąć, aby wybrać żądany tryb. Można przełączać między trybem normalnego osuszania, osuszania ekologicznego, automatycznego osuszania, trybem wentylacji i trybem suszenia odzieży.

TRYB EKOLOGICZNY

Gdy urządzenie pracuje w TRYBIE EKOLOGICZNYM, domyślny poziom wilgotności względnej wynosi 60%.

- a) Przy wilgotności otoczenia $\geq 60\%$ urządzenie będzie działać w trybie osuszania, a prędkość pracy wentylatora nie będzie regulowana.
- b) Przy wilgotności otoczenia $< 60\%$ urządzenie będzie działać w trybie wentylacji, a prędkość pracy wentylatora nie będzie regulowana.
- c) Poziom wilgotności nie jest regulowany.

TRYB WENTYLACJI

W tym trybie sprężarka nie działa, wentylator pracuje domyślnie z niską prędkością tylko w przypadku wentylacji, prędkość wentylatora jest regulowana, poziom wilgotności nie może zostać ustawiony, a poziom wilgotności otoczenia (30-90% wilgotności względnej) jest wskazywany na panelu wyświetlacza.

TRYB SUCHY

W tym trybie sprężarka działa stale, a wentylator pracuje z dużą prędkością niezależnie od wilgotności pomieszczenia. Funkcja ochrony opóźnienia w trzech minutach sprężarki ma zastosowanie, prędkość wentylatora i poziom wilgotności nie mogą być regulowane, a poziom wilgotności otoczenia (30-90% wilgotności względnej) jest wskazywany na panelu wyświetlacza.

TRYB AUTOMATYCZNY

Gdy urządzenie pracuje w TRYBIE AUTOMATYCZNYM, domyślny poziom wilgotności względnej wynosi 50%

- a) Przy wilgotności otoczenia wynosi $\geq 70\%$ sprężarka i wentylator będą działać z maksymalną siłą, prędkość pracy wentylatora nie będzie regulowana.
- b) Przy wilgotności pomiędzy 50-70%, urządzenie będzie działać z niższą wydajnością. W tym trybie prędkość pracy wentylatora nie będzie regulowana.
- c) Przy wilgotności otoczenia $< 50\%$ urządzenie będzie działać w trybie wentylacji z niską prędkością, a prędkość pracy wentylatora nie będzie regulowana.

d) Poziom wilgotności otoczenia (30-90% wilgotności względnej) będzie wskazywany na panelu wyświetlacza, wilgotność nie jest regulowana.

TRYB OSUSZANIA

Urządzenie będzie działać w trybie osuszania, gdy będzie uruchamiane po raz pierwszy lub po wybraniu odpowiedniego trybu, prędkość wentylatora jest domyślnie wysoka. Przyciski W GÓRĘ i W DÓŁ umożliwiają regulowanie wilgotności (35-85%).

3. Ustawianie wilgotności: Regulacje poziomem działają tylko w trybie normalnej pracy; wilgotność można ustawić w przedziale 35%-85% (współczynnik regulacji wynosi 5%), ustawienie wilgotności ma zastosowanie tylko w trybie osuszania.
4. Regulator czasowy: Można ustawić, jak długo urządzenie będzie działać lub kiedy zostanie uruchomione. Można wybrać 1-24 godzin.
5. Prędkość obrotów wentylatora: Regulacja prędkości obowiązuje tylko w trybie osuszania i wentylacji.
6. Zabezpieczenie przed dostępem dzieci: Aby ustawić lub wyłączyć funkcję zabezpieczenia przed dostępem dzieci, należy nacisnąć jednocześnie przycisk „Timer” (Regulator czasowy) i „Speed” (Prędkość).

ODPROWADZANIE WODY

Po zapełnieniu zbiornika wody osuszacz wyłącza się automatycznie.

1. Należy odłączyć osuszacz od źródła prądu.
2. Opróżnić zbiornik z wody.
3. Wsunąć pusty zbiornik z powrotem w urządzenie i sprawdzić, czy pływak swobodnie przemieszcza się w zbiorniku.
4. Należy podłączyć osuszacz do źródła prądu.

Bezpośrednie odprowadzanie wody
Przyłączyć przewód giętki wody do przewodu rurowego z tyłu osuszacza. Drugi koniec przewodu giętkiego umieść w odpływie. Upewnić się, że woda może spływać pod wpływem grawitacji.

FILTR POWIETRZA

Filtr powietrza zapobiega przedostawaniu się pyłu i kurzu do wnętrza urządzenia, a tym samym zwiększa jego trwałość eksploatacyjną. Ważne jest regularne czyszczenie filtra.

Oczyszczanie filtra:

1. Wyciągnąć filtr.
2. Umyć go ciepłą wodą i łagodnym środkiem czyszczącym. Można też czyścić filtr odkurzaczem.
3. Pozostawić filtr do wyschnięcia, po czym założyć z powrotem w urządzeniu.

PROCES ODSZRANIANIA

Parownik znajdujący się w osuszaczu może przeprowadzać automatyczne odszranianie, jeśli jest eksploatowany w temperaturze otoczenia niższej niż 18°C. Urządzenie odszraniające może uruchamiać się i działać przez pewien czas (około 8 minut) automatycznie co 40 minut lub nawet dłużej.

Nie należy wyłączać przełącznika ani wyciągać wtyczki osuszacza podczas odszraniania.

Osuszacz nie jest wyposażony w funkcję chłodzenia. Będzie on wytwarzać ciepło podczas pracy i może zwiększyć temperaturę otoczenia do 1-4°C.

KONSERWACJA

- Wyczyścić urządzenie miękką wilgotną szmatką. Nie używać rozpuszczalników ani silnych środków czyszczących – takie środki mogłyby uszkodzić powierzchnię urządzenia.

OBSŁUGA SERWISOWA

Jeśli osuszacz wymaga serwisowania, należy skontaktować się z lokalnym detalistą.

GWARANCJA

Udziela się 2-letniej gwarancji produktowej. Należy pamiętać, że gwarancja obowiązuje tylko pod warunkiem okazania dowodu zakupu.

PRZECHOWYWANIE

Przed odstawieniem urządzenia do przechowywania należy postępować zgodnie z poniższymi wskazówkami:

1. Upewnić się, że zbiornik na wodę jest pusty. Gdy urządzenie jest włączone, należy upewnić się, że działa w trybie wentylacji przez co najmniej 30 minut, aby odprowadzić wodę zgromadzoną wewnątrz urządzenia.
2. Zebrać i złożyć przewód zasilający.
3. Wyczyścić filtr.
4. Przechowywać w czystym i suchym środowisku.

WSKAZÓWKI

Gdy osuszacz będzie używany w środowiskach ekstremalnie wilgotnych lub gdy temperatura będzie niższa niż +5°C, osuszacz przestanie działać. Na cewce chłodzącej gromadzi się duża ilość lodu. Wyłączyć osuszacz i umieścić go nieco powyżej poziomu podłogi, umożliwiając topienie lodu.

Czasami warto użyć wentylatora nagrzewnicy, aby upewnić się, że temperatura nie spadnie poniżej +10°C. Choć MDX14 może osuszać przy temperaturach do +5°C, to jego wydajność wzrasta w wyższych temperaturach, jako że ciepłe powietrze niesie ze sobą więcej wody.

Hydrostat ma margines błędu około +/- 5-10%. Przy niższych temperaturach margines błędu może być wyższy.

Spodziewaj się wyższej zdolności osuszania jesienią/latem, kiedy powietrze na zewnątrz jest cieplejsze i bardziej wilgotne.

WAŻNE! - Osuszacze firmy Wood's należy podłączać do uziemionego źródła prądu. Źródłem zasilania powinno być 220-240 V 50 Hz

PROBLEM	ROZWIĄZANIE
Osuszacz nie chce się włączyć	<ul style="list-style-type: none"> - Sprawdzić czy osuszacz podłączony jest do źródła prądu i sprawdzić bezpieczniki. - Jeśli lampka ostrzegawcza osuszacza świeci się, sprawdzić czy zbiornik osuszacza jest pusty i odpowiednio zamocowany w urządzeniu. - Sprawdzić czy pływak nie jest zablokowany
Osuszacz nie usuwa wilgoci	<ul style="list-style-type: none"> - Sprawdzić czy wentylator obraca się. - Sprawdzić czy strumień powietrza może swobodnie przepływać przez osuszacz. Sprawdzić czy górna kratka i filtr powietrza są czyste a osuszacz znajduje się 30 cm od ściany. - Należy przysłuchiwać się dźwiękowi sprężarki, jednak należy pamiętać, że osuszacz może przestać działać, gdy wilgotność otoczenia osiągnie ustawiony poziom wilgotności. - Sprawdzić, czy węzownice chłodzące nie są pokryte grubą warstwą lodu.
Wysoki poziom hałasu	<ul style="list-style-type: none"> - Zwiększyć odległość pomiędzy osuszaczem a otaczającymi go powierzchniami. - Węzownice chłodzące znajdują się zbyt blisko siebie, co wywołuje wibracje. Odłączyć osuszacz od źródła prądu i rozdzielić węzownice.
Osuszacz nie wyłącza się, kiedy zbiornik jest pełny	<ul style="list-style-type: none"> - Ważne jest, aby pływak mógł swobodnie poruszać się na powierzchni wody w zbiorniku. Jeśli tak nie jest, nie będzie on mógł przekazywać informacji o poziomie wody i osuszacz nie będzie wyłączał się, kiedy zbiornik całkowicie zapełni się wodą
Woda nie splywa do zbiornika	<ul style="list-style-type: none"> - Sprawdzić czy taca ociekowa znajdująca się nad zbiornikiem nie zapchała się
FL	<ul style="list-style-type: none"> - Zbiornik wody jest pełny. Opróżnić zbiornik wody i włożyć go z powrotem.
E1	<ul style="list-style-type: none"> - Awaria czujnika temperatury-wilgotności. Wymienić czujnik temperatury-wilgotności.

Jeśli powyższe rozwiązania nie przyniosą stosownych rezultatów, należy skontaktować się z lokalnym sprzedawcą w celu przeprowadzenia kontroli i ewentualnej naprawy osuszacza.

DANE TECHNICZNE

	MDX14
Maks. obszar działania	40 m ²
Strumień powietrza etap 1	100 m ³ /godz.
Przepływ powietrza etap 2	120 m ³ /godz.
Osuszanie w temp. 20°C i 70% wilgotności względnej.	6,0 l/24 godz.
Osuszanie w temp. 30°C i 80% wilgotności względnej.	10 l/24 godz.
Moc w temp. 20°C i 70% wilgotności względnej.	180 W
Zużycie energii w temp. 20°C i 70% wilgotności względnej.	4,3 kWh/24 godz.
Pojemność zbiornika	1,5 l
Czynnik chłodniczy	R290
Ładowarka R290	40 g
Napięcie	220–240 V
Częstotliwość	50 Hz
Prąd	1 A
Kod IP	IPX2
Poziom hałasu, w decybelach	43 dB
Masa	9,1 kg
Wymiary, w milimetrach (dł. × szer. × wys.)	293x183x493

* Mogą nastąpić zmiany i udoskonalenia techniczne. Wszystkie wartości są podane w przybliżeniu i mogą różnić się w zależności od warunków zewnętrznych, takich jak temperatura, wentylacja i wilgotność.



UWAGA!

Dokonaj rejestracji produktu na stronie www.warranty-woods.com – stamtąd też dowiesz się, jak uzyskać gwarancję rozszerzoną. Więcej informacji znajdziesz na stronie www.woods.se.

Zalecane warunki graniczne eksploatacji

Temp. od +5°C do +35°C
 Wilgotność względna: od 30% do 90%
 Zalecany poziom wilgotności:
 ok. 50% RH (wilgotność względna)

Gwarancje

2 lata gwarancji konsumenckiej na wady produkcyjne. Należy pamiętać, że gwarancja obowiązuje tylko pod warunkiem okazania dowodu zakupu. Gwarancja obowiązuje tylko w przypadku, gdy produkt jest używany zgodnie z instrukcją i ostrzeżeniami dotyczącymi bezpieczeństwa zawartymi w niniejszej instrukcji. Gwarancja nie obejmuje uszkodzeń spowodowanych niewłaściwą obsługą produktu.

UWAGA: 2-letnia gwarancja dotyczy wyłącznie konsumentów – nie stosuje się ona do komercyjnego użytku urządzenia.

WOOD'S, CELE MAI UTILIZATE DEZUMIDIFICATOARE DIN LUME

Dezumidificatoarele Wood's sunt cunoscute ca lider pe piață de mai mulți ani. Aceste dezumidificatoare se pot folosi chiar și în zonele cu climă dificilă, capacitatea fiind foarte bună la diferite temperaturi și umidități. Acestea sunt folosite cu rezultate bune în spații cu umezeală, cum ar fi pivnițele, garajele sau casele de vacanță. Acestea sunt, de asemenea, excelente pentru uscarea rufelor spălate, mansardelor, încăperilor pentru sport și a spălătoriilor. Sunt eficiente și au un consum redus de energie. Nu uzează hainele.

Cantitatea de umiditate pe care o îndepărtează dezumidificatorul depinde de temperatură, umiditate și amplasare. Și condițiile meteorologice externe pot afecta performanțele dezumidicatorului. Pe vreme rece, umiditatea absolută scade și astfel se reduce extragerea umidității din aer a dezumidicatorului. (Este posibil ca umiditatea relativă să rămână la un nivel ridicat.) Dezumidificatoarele Wood's sunt sigure în funcționare și sunt destinate utilizării îndelungate, timp de mulți ani.

Dezumidificatoarele Wood's sunt sigure în funcționare și sunt destinate utilizării continue, timp de mulți ani.

UMIDITATEA EXCESIVĂ A AERULUI REPREZINTĂ UN PERICOL

Condensarea are loc atunci când vaporii de apă din aer intră în contact cu o suprafață rece, cum ar fi o fereastră sau un perete rece. Când se răcesc vaporii de apă, se produce condens și se formează picături de apă. În condiții de umiditate ridicată a aerului, aerul poate deveni murdar și se poate forma mucegaiul, cauzând deteriorarea locuințelor și a mobilierului din acestea. Acest mediu poate duce chiar la îmbolnăvirea locuitorilor. Într-un mediu umed, de asemenea, se dezvoltă acarienii și păianjenii. Un dezumidicator cu performanțe ridicate creează un nivel de umiditate bun, sănătos. Pentru eficiență mai mare, ușile și ferestrele încăperilor care sunt dezumidificate trebuie să rămână închise. Elimină mirosurile, uscă lemnul și îndepărtează umezeala din echipamentele destinate petrecerii timpului în aer liber.

1. AVERTIZĂRI DE SIGURANȚĂ



Substanță inflamabilă. Acest dispozitiv conține R290/Propan, un agent frigorific inflamabil.



Pentru informații despre siguranță, consultați acest manual.



Citiți manualul tehnic



Citiți manualul de utilizare.

INFORMAȚII PRIVIND SIGURANȚA

Înainte de instalarea și utilizarea dispozitivului, citiți cu atenție instrucțiunile furnizate. Producătorul nu va fi responsabil dacă instalarea și utilizarea incorectă va cauza vătămări și daune. Mențineți întotdeauna instrucțiunile împreună cu dispozitivul pentru referință ulterioară.

Siguranța copiilor și a persoanelor vulnerabile

AVERTISMENT

Pericol de vătămare sau handicap permanent. Acest aparat poate fi utilizat de copiii de cel puțin 8 ani și de persoanele cu capacități fizice, senzoriale sau mentale reduse ori lipsite de experiență și cunoștințe, cu condiția să fie supravegheate sau instruite cu privire la utilizarea

aparaturii în condiții de siguranță și să înțeleagă pericolele implicate. Nu lăsați copiii să se joace cu dispozitivul.

Copiii cu vârsta mai mică de 3 ani ar trebui să fie ținuți la distanță, cu excepția cazului în care sunt supravegheați în continuu. Păstrați toate ambalajele departe de copii. Curățarea și întreținerea de către utilizator nu trebuie efectuate de copii nesupravegheați.

Siguranță generală
Acest aparat este destinat utilizării în mediu casnic și alte medii similare, cum ar fi: – subsoluri, spații între planșeu și sol; bucătării din magazine, birouri și alte medii de lucru. Plăcuța indicatoare este amplasată pe spatele dezumidicatorului sau pe partea laterală a acestuia. Păstrați zonele de refulare/ evacuare aer libere.

Nu utilizați dispozitive mecanice sau alte mijloace pentru accelerarea procesului de dezghețare, altele decât cele recomandate de producător. Aparatul nu se va depozita într-o încăpăre cu surse de aprindere în funcțiune (de exemplu, flăcări deschise, aparate cu gaz sau încălzitoare electrice în funcțiune). Nu străpungeți aparatul și nu-i dați foc.

Atenție: agenții frigorifici nu conțin mirosuri. Nu folosiți pulverizare cu apă și aburi pentru a curăța dispozitivul. Curățați dispozitivul

cu o cârpă moale umedă. Utilizați numai detergenți neutri. Nu folosiți produse abrazive, substanțe abrazive de curățare, solvenți sau obiecte metalice.

Dacă este deteriorat cablul de alimentare, acesta trebuie înlocuit de către producător, centrul autorizat de deservire sau persoane calificate în mod similar, pentru a evita pericolul.

INSTRUCȚIUNI DE RANȚĂ Instalare **AVERTISMENT**

Acest aparat trebuie să fie instalat de o persoană calificată.

Îndepărtați toate materialele de ambalare.

Nu instalați și nu folosiți aparatul dacă este deteriorat. Aparatul trebuie să fie instalat, utilizat și depozitat într-o încăpere cu o suprafață utilă de peste 2 m². Respectați instrucțiunile de instalare furnizate cu aparatul. Aveți întotdeauna grijă atunci când mutați dispozitivul, deoarece acesta este greu. Purtați întotdeauna mănuși de protecție.

Asigurați-vă că în jurul dispozitivului poate circula aerul. Așteptați cel puțin 4 ore înainte de a conecta dispozitivul la sursa de alimentare. Acest lucru permite uleiului să curgă înapoi în compresor.

Nu instalați dispozitivul în apropierea radiatoarelor sau a altor surse de căldură.

Nu instalați aparatul în bătaia directă a razelor soarelui.

Conexiune electrică **AVERTIZARE**



Pericol de incendiu și de electrocutare.

Aparatul trebuie să fie conectat la o priză cu împământare.

Asigurați-vă că sursa de curent respectă specificațiile electrice de pe plăcuța indicatoare. În caz contrar, contactați un electrician. Utilizați întotdeauna o priză rezistentă împotriva șocurilor instalată corect.

Nu utilizați adaptoare pentru multiple ștechere și cabluri prelungitoare.

Asigurați-vă că nu deteriorați componentele electrice (de ex. ștecher de alimentare, cablul de alimentare).

Contactați centrul autorizat de deservire sau un electrician pentru a schimba componentele electrice. Cablul de alimentare trebuie să fie sub nivelul ștecherului de alimentare.

Conectați ștecherul de alimentare la priza electrică numai la sfârșitul instalării.

Asigurați-vă că există acces la ștecherul de rețea după instalare. Nu trageți cablul de alimentare pentru a deconecta dispozitivul. Trageți întotdeauna de ștecherul de alimentare.

Utilizare **AVERTIZARE**



Pericol de vătămare, arsuri, electrocutare sau incendiu. Nu modificați caracteristicile tehnice ale acestui dispozitiv.

Aveți grijă să nu provocați

deteriorarea circuitului de agent frigorific. Acesta conține propan (R290), un gaz natural cu un nivel ridicat de compatibilitate cu mediul. Acest gaz este inflamabil.

Dacă s-a deteriorat circuitul de agent frigorific, asigurați-vă că în încăpere nu sunt flăcări și surse de aprindere. Ventilați încăperea. Nu plasați produse inflamabile sau obiecte umezite cu produse inflamabile lângă dispozitiv sau pe acesta.

Eliminare

AVERTIZARE



Pericol de vătămare.

Deconectați aparatul de la rețeaua de alimentare.

Tăiați cablul de alimentare și aruncați-l.

Circuitul de agent frigorific al acestui dispozitiv este prietenos cu stratul de ozon. Contactați autoritatea locală pentru a obține informații despre modul în care să aruncați corect dispozitivul.

Aveți grijă să nu deteriorați partea unității de răcire aflată în apropierea schimbătorului de căldură.

PREGĂTIREA DEZUMIDIFICATORULUI PENTRU INSTALARE

IMPORTANT:

2. Instalare

ÎNAINTE DE PRIMA UTILIZARE

Înainte de utilizare lăsați aparatul în poziție verticală timp de 4 ore

Alegerea locului

Important

1. Pentru a funcționa cu randament optim, dezumidificatorul trebuie utilizat în interior.

Închideți toate ușile, ferestrele și celelalte deschideri ale încăperii. Randamentul dezumidificatorului depinde de debitul cu care intră aerul umed în încăpere.

2. Așezați dezumidificatorul astfel încât aerul să circule liber prin partea frontală.

3. Funcționarea unui dezumidificator într-o încăpere nu influențează semnificativ uscarea unui spațiu de depozitare închis adiacent, cum ar fi un dulap, decât dacă aerul circulă liber spre și dinspre zonă. Este posibil să nu puteți obține efectul de uscare dorit decât instalând un al doilea dezumidificator.

4. Asigurați-vă că unitatea este montată pe o suprafață plană și stabilă. Dacă suprafața nu este stabilă, pot apărea vibrații excesive și scurgeri de apă.

5. Lăsați spațiu de cel puțin 30 cm în jurul aparatului.

DESCRIEREA PRODUSULUI

3. Descrierea produsului

- A**
1. Carcasă frontală
 2. Roți
 3. Panou superior
- B**
1. Filtru
 2. Ștuț de drenaj continuu
- C**
1. Rezervor de apă
- D**
1. Panou superior
- E**
- Panou de comandă
1. Butonul PORNIRE: pornirea și oprirea aparatului
 2. Butonul TEMPORIZATOR: setarea, interogarea și anularea temporizatorului.
 3. Butonul VITEZĂ: turația de funcționare a ventilatorului: mică sau mare.
 4. Butonul SUS: reglarea umidității sau a temporizatorului.
 5. Butonul JOS: reglarea umidității sau a temporizatorului.
 6. Butonul MOD: Ventilator --- Eco --- Uscare --- Automat --- Dezumidificare
- F**
1. Carcasă frontală
 2. Carcasă dreapta
 3. Rezervor de apă
- G**
1. Panou de comandă
 2. Filtru
 3. Ștuț de drenaj continuu
 4. Carcasă spate
 5. Evacuare aer
 6. Carcasă stânga
 7. Roată
- H**
1. Păstrați o distanță de cel puțin 50 cm între panoul superior și alte obiecte.
 2. Lăsați un spațiu de peste 30 cm între aparat și obiectele sau pereții din jur.
- I**
1. Drenare manuală
 2. Drenare continuă

AMPLASAREA DEZUMIDIFICATORULUI

- Dezumidificatorul nu trebuie plasat în apropierea radiatoarelor sau a altor surse de căldură sau expus la lumina directă a soarelui, deoarece se va reduce performanța acestuia.
- Ideal este să îl amplasați în centrul încăperii / zonei.



OBSERVAȚIE: Dacă amplasați dezumidificatorul în baie, acesta trebuie fixat în poziție. Înainte de utilizare, este obligatoriu să verificați și să respectați reglementările electrice locale referitoare la băi.

UTILIZAREA DEZUMIDIFICATORULUI

Dacă a fost transportat pe orizontală, dezumidificatorul trebuie ținut în poziție verticală timp de 4 ore înainte punerea în funcțiune. Este foarte important ca uleiul să revină în compresor, altfel dezumidificatorul se poate deteriora grav.

1. Verificați dacă rezervorul de apă este așezat corect.
2. Conectați dezumidificatorul la o sursă de alimentare cu împământare.
3. Setați funcția sau nivelul de umiditate dorit. Consultați secțiunea privind controlul umidității.

MANUAL DE UTILIZARE

1. Buton de pornire: acest buton servește la pornirea, respectiv la oprirea aparatului.
2. Buton de mod: apăsați acest buton pentru a selecta modul dorit. Permite selectarea următoarelor moduri: dezumidificare normală, dezumidificare Eco, dezumidificare automată, mod de ventilare și mod haine uscate.

MOD ECO

Atunci când aparatul funcționează în MODUL ECO, umiditatea relativă implicită este de RH 60%.

- a) Dacă umiditatea mediului ambiant este $\geq 60\%$, aparatul funcționează ca dezumidificator, fără posibilitatea de a regla viteza ventilatorului.
- b) Dacă umiditatea mediului ambiant este $< 60\%$, aparatul funcționează ca ventilator, fără posibilitatea de a regla viteza ventilatorului.
- c) Nivelul de umiditate nu se poate regla.

MOD VENTILATOR

În acest mod, compresorul nu pornește. Implicit, ventilatorul funcționează la turații mici, numai pentru ventilație. Viteza ventilatorului se poate regla. Nivelul umidității nu se poate regla, umiditatea din mediul ambiant (30-90% RH) apare pe afișaj.

MODUL USCARE

În acest mod, compresorul funcționează fără întrerupere, iar ventilatorul merge cu viteză mare, indiferent de nivelul de umiditate din încăpere. Aparatul are o funcție de amânare cu trei minute, pentru protecția compresorului. Viteza ventilatorului și umiditatea se pot regla. Umiditatea din mediul ambiant (30-90% RH) apare pe afișaj.

MOD AUTOMAT

Atunci când aparatul funcționează în MODUL AUTO, umiditatea relativă implicită este de RH 50%.

- a) Dacă umiditatea mediului ambiant este $\geq 70\%$, aparatul trece la dezumidificare intensă, fără posibilitatea de a regla viteza ventilatorului.
- b) Dacă umiditatea mediului ambiant este $< 70\%$, aparatul execută dezumidificarea ușoară, fără posibilitatea de a regla viteza ventilatorului.
- c) Dacă umiditatea mediului ambiant este $< 50\%$, aparatul funcționează ca ventilator, la turație redusă, fără posibilitatea de a regla viteza ventilatorului.
- d) Umiditatea din mediul ambiant (30-90% RH) este indicată pe afișaj. Umiditatea nu se poate regla.

MOD DEZUMIDIFICARE

Aparatul funcționează în modul de dezumidificare la prima pornire și când este trecut în acest mod. Viteza implicită a ventilatorului este mare. Apăsați SUS și JOS pentru a regla setarea de umiditate (35-85%).

3. Umiditatea se poate seta între 35% - 85% (factor de ajustare 5%), setarea de umiditate este valabilă numai în modul de dezumidificare.
4. Temporizator: puteți seta cât timp va funcționa aparatul sau când va porni. Puteți selecta o valoare cuprinsă între 1 și 24 de ore.
5. Viteza ventilatorului: tasta de viteză este activă numai în modurile de dezumidificare și de ventilare.
6. Blocator pentru copii: apăsați simultan „Temporizator” și „Viteză” pentru a seta sau a opri funcția de Blocare pentru copii.

DRENAREA APEI

Când rezervorul de apă se umple, dezumidificatorul se oprește automat.

1. Deconectați dezumidificatorul de la sursa de alimentare.
2. Goliți rezervorul de apă.
3. Puneți înapoi rezervorul de apă gol și verificați dacă plutitorul se mișcă liber.
4. Conectați dezumidificatorul la sursa de alimentare.

Drenarea directă a apei
Racordați un furtun de apă la ștuțul din spatele dezumidificatorului. Racordați celălalt capăt al furtunului la canalizare. Asigurați-vă că apa se poate scurge în jos, în cădere liberă.

FILTRU DE AER

Filtrul de aer împiedică pătrunderea în aparat a prafului și a murdăriei, pentru a-i prelungi durata de funcționare. Este important să curățați filtrul la intervale regulate.

Curățarea filtrului:

1. Scoateți filtrul.

- Spălați-l cu apă caldă și agent de curățare delicat. Alternativă: filtrul se poate curăța cu aspiratorul.
- Așteptați până când se usucă filtrul, apoi puneți-l la loc.

FUNCȚIA DE DEZGHEȚARE

Evaporatorul din dezumidificator se poate dezgheța automat dacă aparatul este ținut în funcțiune la o temperatură a camerei 18 °C. Este posibil ca dispozitivul de dezghețare să pornească automat și să funcționeze un timp (aproximativ 8 minute) o dată la 40 de minute sau mai mult.

Nu opriți cu butonul și nu scoateți ștecherul dezumidificatorului din priză în timpul operației de dezghețare.

Acest dezumidificator nu are funcție de răcire. Degajează căldură în timpul funcționării și poate crește temperatura în încăpere cu 1 - 4 °C.

ÎNȚREȚINERE

- Curățați aparatul cu o cârpă moale, umezită. Nu folosiți solvenți sau agenți de curățare agresivi: aceștia pot deteriora suprafața aparatului.

SERVICE

Dacă se impune o intervenție de service asupra dezumidificatorului, contactați întâi distribuitorul local.

GARANȚII

2 ani de garanție pentru produs.
Rețineți: garanția este valabilă numai cu prezentarea chitanței.

DEPOZITARE

Parcurgeți pașii de mai jos înainte de a depozita aparatul:

- Asigurați-vă că rezervorul de apă este gol. Cu aparatul pornit, asigurați-vă că este în modul Ventilare și țineți-l în funcțiune cel puțin 30 de minute pentru a elimina apa din interior.
- Strângeți și legați cablul de alimentare.
- Curățați filtrul.
- Depozitați într-un mediu curat și uscat.

SUGESTII

Dacă utilizați dezumidificatorul într-un mediu extrem de umed sau la temperaturi sub +5 °C, acesta încetează să funcționeze. În spiralele de răcire se acumulează o cantitate mare de gheață. Opriți dezumidificatorul și ridicați-l un pic deasupra podelei, până când se topește gheața.

Uneori ajută dacă porniți o aerotermă, astfel încât temperatura să nu scadă +10 °C. Chiar MDX14 funcționează la temperaturi de până la +5 °C, capacitatea crește la temperaturi mai ridicate, întrucât aerul cald ține mai multă apă.

Hidrostatul are o marjă de eroare de aproximativ +/- 5-10%. La temperaturi mai scăzute marja de eroare crește.

Capacitatea de dezumidificare crește toamna și vara, pentru că aerul din exterior este mai cald și mai umed.

IMPORTANT! - Dezumidificatoarele Wood's trebuie să fie conectate la o sursă de alimentare cu împământare. Sursa de alimentare trebuie să fie de 220 V - 240 V 50 Hz

PROBLEMĂ	SOLUȚIE
Dezumidicatorul nu pornește	<ul style="list-style-type: none"> - Verificați dacă dezumidicatorul este conectat la electricitate și dacă siguranța nu a ars - Dacă se aprinde lumina de avertizare, verificați dacă rezervorul de apă este gol și plasat corect în dezumidicator. - Verificați dacă plutitorul este liber
Nu dezumidifică	<ul style="list-style-type: none"> - Verificați dacă se rotește ventilatorul - Verificați dacă aerul poate circula liber prin dezumidicator. Grila și filtrul de aer superioare trebuie să fie curate, iar dezumidicatorul trebuie să stea la 30 cm de pereți. - Încercați să identificați sunetul compresorului. Atenție: dezumidicatorul se oprește atunci când umiditatea ambientală ajunge la valoarea setată. - Verificați dacă pe spiralele de răcire nu s-a format o acoperire groasă de gheață.
Nivel ridicat de zgomot	<ul style="list-style-type: none"> - Sporiți distanța dintre dezumidicator și suprafețele înconjurătoare - Spiralele de răcire se pot atinge și pot provoca vibrații. Deconectați dezumidicatorul de la electricitate și separați spiralele.
Nu se oprește când rezervorul de apă este plin	- Este important ca plutitorul să se deplaseze liber în rezervorul de apă. În caz contrar nu va răspunde la nivelul apei, iar dezumidicatorul nu se va opri
Apa nu pătrunde în rezervor	- Verificați dacă nu s-a blocat calea spre tava de picurare de deasupra rezervorului de apă
FL	- Rezervorul de apă este plin. Goliți rezervorul de apă și puneți-l la loc.
E1	- Senzor de temperatură-umiditate defect. Înlocuiți senzorul de temperatură-umiditate.

Dacă niciunul dintre procedeele de mai sus nu funcționează, trebuie să contactați cel mai apropiat distribuitor pentru verificarea și, eventual, repararea dezumidicatorului.

DATE TEHNICE

	MDX14
Zonă max. de lucru	40 m ²
Debit de aer treapta 1	100 m ³ /h
Debit de aer treapta 2	120 m ³ /h
Dezumidificare la 20°C și umiditate relativă de 70%	6,0 l / 24 h
Dezumidificare la 30°C și umiditate relativă de 80%	10 l / 24 h
Putere la 20°C și umiditate relativă de 70%	180 W
Consum de energie la 20°C și umiditate relativă de 70%	4,3 kWh / 24 h
Volumul rezervorului	1,5 litri
Agent frigorific	R290
Cantitate de R290	40 g
Tensiune	220-240V
Frecvență	50 Hz
Curent	1A
Cod IP	IPX2
Nivel de zgomot în decibeli	43 dB
Greutate	9,1 kg
Dimensiuni în mm, L x l x Î	293 x 183 x 493

*Pot apărea modificări și îmbunătățiri tehnice. Toate valorile sunt aproximative și pot varia în funcție de circumstanțe exterioare, cum ar fi temperatura, ventilația și umiditatea.



OBSERVAȚIE!

Înregistrați-vă la adresa www.warranty-woods.com și aflați cum puteți beneficia de garanție extinsă. Pentru informații suplimentare vizitați www.woods.se.

Limite recomandate pentru utilizare

Temperatură: între +5 °C și +35 °C
 Umiditate relativă: de la 30% până la 90%
 Nivel de umiditate recomandat:
 aproximativ 50% RH

Garanții

Consumatorul beneficiază de garanție de 2 ani pentru defectele de producție. Rețineți: garanția este valabilă numai cu prezentarea chitanței. Garanția este valabilă numai dacă produsul este utilizat în conformitate cu instrucțiunile și avertizările de siguranță menționate în acest manual. Garanția nu acoperă deteriorările provocate de manipularea incorectă a produsului.

OBSERVAȚIE: Garanția de 2 ani este valabilă numai în cazul consumatorilor, nu și în cazul utilizării comerciale a aparatului.

„WOOD’S“ – VIENI PASAULYJE PIRMAUJANČIŲ ORO SAUSINTUVŲ

Bendrovės „Wood’s“ oro sausintuvai yra pripažinti rinkos lyderiai jau daugelį metų. Šie oro sausintuvai yra skirti naudoti netgi ypač reikliomis sąlygomis, o drėgmės surinkimo našumas būna didelis net esant skirtingai temperatūrai ir drėgmės lygiui patalpoje. „Wood’s“ oro sausintuvai pasiekia gerus rezultatus naudojant drėgnose patalpose, tokiose kaip rūšys, garažas arba vasarnamis. Šie oro sausintuvai yra puikūs pagalbininkai džiovinant skalbinius, palėpes, baseinus ir skalbyklas. Jie efektyvūs ir vartoja mažai elektros energijos. Negadina drabužių.

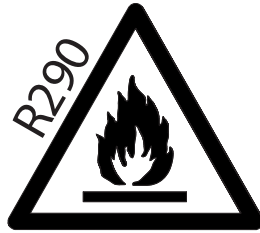
Drėgmės kiekis, kurį oro sausintuvas ištraukia iš patalpos oro, priklauso nuo patalpos temperatūros, esamo drėgmės lygio ir pastatymo vietos. Išorinės oro sąlygos taip pat gali paveikti oro sausintuvo darbo kokybę. Esant šaltam orui, absoliutus drėgnis nukrenta, dėl ko ir oro sausintuvo ištraukiamas vandens kiekis iš oro sumažėja. (Santykinis drėgnumas vis dar gali būti didelis.) „Wood’s“ oro sausintuvai veikia saugiai ir skirti naudoti daugybę metų.

„Wood’s“ oro sausintuvai veikia saugiai ir skirti naudoti pastoviai daugybe metų.

PER DIDELĖS DRĖGMĖS PAVOJAI

Vandens garai sklaidydami ore ir susidūrę su šaltu paviršiumi, pavyzdžiui, šaltu langu arba siena, virsta kondensatu. Kai vandens garai atvėsta, atsiranda kondensatas ir susiformuoja vandens lašai. Esant aukštam patalpos drėgmės lygiui, oras gali tapti purvinas ir gali atsirasti pelėsiai, kurie kenkia namams ir baldams. Tokia aplinka gali net sukelti ligų. Erkės ir vorai taip pat klesti drėgnoje aplinkoje. Didelio našumo sausintuvas užtikrina gerą, sveiką drėgmės lygį. Siekiant didžiausio efektyvumo, sausinamų patalpų durys ir langai turėtų būti laikomi uždaryti. Oro sausintuvai panaikina kvapus, džiovina medieną, pašalina drėgmę iš lauko įrangos.

1. SAUGOS ĮSPĖJIMAI



Degioji medžiaga. Šiame prietaise yra degaus šaltnešio R290 / propano.



Saugos informacijos ieškokite šiame vadove.



Žr. techninį vadovą



Žr. operatoriaus vadovą.

SAUGOS INFORMACIJA

Prieš įrengdami ir naudodami prietaisą, atidžiai perskaitykite pateiktus nurodymus. Gamintojas neatsako už sužalojimus ir pažeidimus, atsiradusius neteisingai naudojant prietaisą. Instrukciją visada laikykite prie prietaiso, kad prirėikus galėtumėte pasiskaityti.

Vaikų ir pažeidžiamų žmonių sauga



ĮSPĖJIMAS

Susižalojimo arba nuolatinio neįgalumo pavojus. Šį prietaisą gali naudoti vaikai nuo 8 metų ir asmenys, turintys psichinę, jutiminę ar fizinę negalią, arba neturintys pakankamai patirties ar žinių, jei juos prižiūri arba išmoko saugiai naudotis prietaisu kitas asmuo ir jei jie supranta su prietaiso naudojimu

susijusius pavojus. Neleiskite vaikams žaisti su prietaisu.

Jaunesni kaip 3 metų vaikai turėtų būti laikomi atokiau, nebent jie būtų nuolat prižiūrimi. Visas pakuotes laikykite atokiau nuo vaikų. Prietaiso valymo ir priežiūros darbų vaikai be priežiūros atlikti negali.

Bendroji sauga

Šis prietaisas yra skirtas naudoti namų ūkyje ir panašiose vietose, pavyzdžiui, rūsiuose, ankštose erdvėse, parduotuvių, biurų ir kitų įstaigų darbuotojų virtuvių zonose. Tipo plokštelė yra oro sausintuvo galinėje arba šoninėje dalyje. Negalima uždengti ventiliacijos angų.

Nenaudokite mechaninių įtaisų ar kitų priemonių atitirpinimo procesui pagreitinti, išskyrus gamintojo rekomenduotus. Prietaiso negalima laikyti patalpoje, kurioje yra veikiančių degimo šaltinių (pvz., atvira liepsna, veikiantis dujinis prietaisas arba veikiantis elektrinis šildytuvas). Prietaiso negalima badyti ar deginti.

Turėkite omenyje, kad šaltnešis gali neturėti kvapo. Prietaisui valyti nenaudokite vandens srovės ir garų. Prietaisą valykite minkšta drėgna šluoste. Naudokite tik neutralius ploviklius. Nenaudokite abrazyvinių gaminių, abrazyvinių šluosčių, tirpiklių ar metalinių daiktų.

Jei maitinimo laidas yra pažeistas, jis turi būti pakeistas gamintojo, jo įgalioto techninės priežiūros centro arba kito kvalifikuoto asmens, išvengiant galimo pavojaus.

SAUGOS INSTRUKCIJOS

Įrengimas **ĮSPĖJIMAS**

Šį prietaisą gali įrengti tik kvalifikuotas asmuo.

Pašalinkite visą pakuotę.

Neįrenkite ir nenaudokite pažeisto prietaiso. Prietaisą galima įrengti, eksploatuoti ir laikyti patalpoje, kurios grindų plotas didesnis nei 2 m². Laikykitės su prietaisu pateiktų įrengimo nurodymų.

Prietaisą perkelkite atsargiai, nes jis yra sunkus. Visada mėvėkite apsaugines pirštines.

Pasirūpinkite, kad aplink prietaisą oras galėtų laisvai cirkuluoti. Prieš prijungdami prietaisą prie maitinimo šaltinio, palaukite bent 4 valandas. Per šį laiką alyva subėgs atgal į kompresorių. Neįrenkite prietaiso arti radiatorių ar kitų šilumos šaltinių. Neįrenkite prietaiso tiesioginių saulės spindulių apšviečiamoje vietoje.

Elektros maitinimo prijungimas **ĮSPĖJIMAS**

Gaisro ir elektros smūgio rizika. Prietaisas turi būti prijungtas prie įžeminto maitinimo lizdo. Įsitikinkite, kad duomenų plokštelėje esanti elektros maitinimo informacija atitinka

maitinimo šaltinio duomenis. Jei taip nėra, kreipkitės į elektriką. Visada naudokite tinkamai įrengtą smūgiams atsparų lizdą. Nenaudokite šakotuvų ir ilgintuvų. Pasirūpinkite, kad nebūtų pažeisti elektros komponentai (pvz., kištukas, maitinimo kabelis). Kreipkitės į įgaliotąjį techninės priežiūros centrą arba elektriką, kad pakeistų elektros komponentus. Maitinimo kabelis turi būti žemiau kištuko lygio. Kištuką į maitinimo lizdą įjunkite tik įrengimo pabaigoje. Pasirūpinkite, kad įrengus prietaisą kištukas būtų lengvai pasiekiamas. Norėdami išjungti prietaisą, netraukite maitinimo kabelio. Visada traukite tik kištuką.

Naudojimas **ĮSPĖJIMAS**

Sužeidimų, nudegimų, elektros smūgio ar gaisro pavojus. Nekeiskite šio prietaiso specifikacijos.

Būkite atsargūs, kad nepažeistumėte šaltnešio kontūro. Jame yra propano (R290), aplinkoje lengvai pasklindančių gamtinių dujų. Šios dujos yra degios.

Jei pažeidžiamas šaltnešio kontūras, pasirūpinkite, kad patalpoje nebūtų liepsnos ir uždegimo šaltinių. Vėdinkite patalpą. Nedėkite degių gaminių ar daiktų, persisunkusių degiaisiais gaminiiais, šalia arba ant prietaiso.

Šalinimas **ĮSPĖJIMAS**

Pavojus susižeisti. Atjunkite prietaisą nuo maitinimo tinklo. Nupjaukite maitinimo laidą ir išmeskite. Šio prietaiso šaltnešio kontūras nekenkia ozonui. Informacijos apie tai, kaip tinkamai išmesti prietaisą, teiraukitės savivaldybėje. Nepažeiskite aušinimo įrenginio dalies, esančios šalia šilumokaičio.

ORO SAUSINTUVO PARUOŠIMAS MONTAVIMUI

SVARBU:

2. Įrengimas

PRIEŠ NAUDOJANT PIRMĄ KARTĄ

Prieš naudodami prietaisą leiskite 4 val. pabūti jam darbinėje aplinkoje

Vietos pasirinkimas

Svarbu

1. Kad veiktų efektyviausiai, oro sausintuvą reikia naudoti uždaroje patalpoje. Uždarykite patalpos duris, langus ir kitas angas į išorę. Oro sausintuvo efektyvumas priklauso nuo drėgno oro patekimo į patalpą greičio.
2. Oro sausintuvą pastatykite tokioje vietoje, kurioje nebūtų ribojamas oro srautas prietaiso priekyje.
3. Patalpoje veikiantis oro sausintuvas prastai arba visai nedžiovins oro gretimose uždaroje saugojimo vietoje, pvz. spintoje, jei joje nebus tinkamos ventiliacijos. Siekiant patenkinamų oro sausinimo rezultatų, uždaroje patalpoje gali tekti sumontuoti antrą oro sausintuvą.
4. Užtikrinkite, kad įrenginys būtų pastatytas ant stabilaus ir lygaus paviršiaus. Jei paviršius nėra stabilus, dėl stiprios vibracijos vanduo gali pratekėti.
5. Aplink įrenginį turėtų būti bent 30 cm laisvos vietos.

PRODUKTO APRAŠYMAS

3. Produkto aprašymas

A

1. Priekinis korpusas
2. Ratukai
3. Viršutinis skydelis

B

1. Filtras
2. Nepertraukiamo išleidimo vamzdelis

C

1. Vandens talpykla

D

1. Viršutinis skydelis

E

Valdymo skydas

1. MAITINIMO mygtukas: įjungia arba išjungia prietaisą
2. LAIKMAČIO mygtukas: nustato laikmatį, parodo laikmatį arba atšaukia laikmatį.
3. GREIČIO mygtukas: Ventilatorius veiks mažu greičiu arba dideliu greičiu.
4. Mygtukas AUKŠTYN: reguliuoja drėgnumą arba laiką.
5. Mygtukas ŽEMYN: reguliuoja drėgnumą arba laiką.
6. REŽIMO mygtukas: Ventilatorius --- Eko --- Džiovintuvas --- Auto --- Sausinimas

F

1. Priekinis korpusas
2. Dešinysis korpusas
3. Vandens talpykla

G

1. Valdymo skydas
2. Filtras
3. Nepertraukiamo išleidimo vamzdelis
4. Galinis korpusas
5. Oro išleidimo anga
6. Kairysis korpusas
7. Ratukas

H

1. Laikykite viršutinį skydelį bent 50 cm nuo kitų objektų.
2. Tarp prietaiso ir aplink esančių daiktų ar sienų išlaikykite didesnę nei 30 cm atstumą.

I

1. Rankinis išleidimas
2. Nepertraukiamas išleidimas

ORO SAUSINTUVO PASTATYMAS

- Oro sausintuvas negali būti pastatytas šalia radiatoriaus ar kito šildymo prietaiso, kadangi tai gali sumažinti jo našumą.
- Idealu, jeigu oro sausintuvą pastatysite viduryje kambario / patalpos.



PASTABA: Jeigu oro sausintuvą naudojate duše arba vonios kambaryje, prietaisas turi būti pritvirtintas vietoje. Privaloma patikrinti ir naudoti prietaisą pagal vonios kambario elektrinės įrangos naudojimo reikalavimus.

NAUDOJIMASIS ORO SAUSINTUVU

Jei oro sausintuvas gabenamas horizontalioje padėtyje, prieš naudodami leiskite jam pastovėti 4 val. Labai svarbu, kad tepalas sutekėtų atgal į kompresorių, kitu atveju oro sausintuvas gali būti stipriai pažeistas.

1. Patikrinkite, ar tinkamai įdėtas vandens rezervuaras.
2. Įjunkite oro sausintuvą į įžemintą elektros lizdą.
3. Nustatykite funkciją arba pageidaujamą drėgmės lygį. Žr. skyrių apie drėgmės valdiklį.

NAUDOJIMO INSTRUKCIJA

1. Maitinimo mygtukas: Šiuo mygtuku galima įjungti arba išjungti prietaisą.
2. Režimo mygtukas: Paspauskite, kad pasirinktumėte norimą režimą. Galima parinkti įprastą sausinimą, ekonomišką sausinimą, automatinį sausinimą, ventiliavimo režimą arba drabužių džiovinimo režimą.

EKONOMIŠKAS REŽIMAS

Kai įrenginys veikia EKONOMIŠKU REŽIMU, palaikomas numatytasis 60 % santykinis oro drėgnumas.

- a) kai aplinkos drėgnumas $\geq 60\%$, įrenginys veiks kaip sausintuvas, ventiliatoriaus greitis nėra reguliuojamas.
- b) kai aplinkos drėgnumas $< 60\%$, įrenginys veiks kaip ventiliatorius, ventiliatoriaus greitis nėra reguliuojamas.
- c) drėgmės lygis nėra reguliuojamas.

VENTILIATORIAUS REŽIMAS

Šiuo režimu, kompresorius neturėtų veikti, ventiliatorius veikia mažu numatytuoju greičiu, ventiliatoriaus greitį galima reguliuoti, drėgnumo lygio negalima nustatyti, ekrane bus rodomas aplinkos drėgmės lygis (30–90 % SOD).

DŽIOVINIMO REŽIMAS

Šiuo režimu kompresorius nuolat veikia, o ventiliatorius nuolat veikia dideliu greičiu, nepriklausomai nuo patalpos drėgnumo. Yra taikoma trijų minučių kompresoriaus apsaugos delsos funkcija, ventiliatoriaus greičio ir drėgmės lygio negalima reguliuoti, ekrane bus rodomas aplinkos drėgmės lygis (30–90 % SOD).

AUTOMATINIS REŽIMAS

Kai įrenginys veikia AUTOMATINIŲ REŽIMU, palaikomas numatytasis 50 % santykinis oro drėgnumas.

- a) kai aplinkos drėgnumas $\geq 70\%$, įrenginys veiks kaip galingas sausintuvas, ventiliatoriaus greitis nėra reguliuojamas.
- b) kai aplinkos drėgnumas 50 – 70 %, įrenginys veiks kaip silpnas sausintuvas, ventiliatoriaus greitis nėra reguliuojamas.
- c) kai aplinkos drėgnumas $< 50\%$, įrenginys veiks kaip ventiliatorius, mažu greičiu, ventiliatoriaus greitis nėra reguliuojamas.
- d) Ekrane bus rodomas aplinkos drėgnumo lygis (30–90 % SOD), drėgmė nėra reguliuojama.

SAUSINIMO REŽIMAS

Pirmą kartą įjungus prietaisą arba pasirinkus režimo keitimo funkciją, jis veiks sausinimo režimu, ventiliatoriaus veiks numatytuoju dideliu greičiu, paspaudus mygtuką AUKŠTYN arba ŽEMYN, galima nustatyti drėgnumą (35–85 %).

3. Drėgnumą galima nustatyti nuo 35 % iki 85 % (5 % žingsniu), drėgnumo nuostata galioja tik pasirinkus sausinimo režimą.
4. Laikmatis: Galite nustatyti, kiek laiko prietaisas veiks arba kada jis įsijungs. Galite pasirinkti 1–24 val.
5. Ventiliatoriaus greitis: Greičio mygtukas aktyvus tik pasirinkus sausinimo ar ventiliatoriaus režimą.
6. Užraktas nuo vaikų: Nuspausite ir palaikykite mygtukus „Laikmatis“ ir „Greitis“, kad įjungtumėte arba išjungtumėte užraktą nuo vaikų.

VANDENS IŠLEIDIMAS

Kai vandens rezervuaras prisipildo, sausintuvas išsijungia pats.

1. Ištraukite oro sausintuvo elektros kištuką iš lizdo.
2. Išpilkite bakelyje esantį vandenį.
3. Įstatykite tuščią bakelį atgal ir patikrinkite, ar plūdė laisvai juda.
4. Įjunkite oro sausintuvą į elektros lizdą.

Tiesioginis vandens išleidimas
Prijunkite vandens žarną prie vamzdžio, esančio oro sausintuvo galinėje pusėje. Nuveskite kitą galą į išleidimo vietą. Įsitikinkite, kad vanduo galės tekėti žemyn.

ORO FILTRAS

Oro filtras neleidžia į prietaisą pateikti purvui ir dulkėms, todėl pailgėja jo eksploatavimo trukmė. Svarbu reguliariai valyti filtrą.

Filtro valymas:

1. Išimkite filtrą.
2. Nuplaukite jį po šiltu vandeniu su švelniu valikliu. Taip pat galite nusiurbti filtrą.
3. Leiskite filtriui nudžiūti ir įstatykite atgal į oro sausintuvą.

ATŠILDYMAS

Garintuvas sausintuve gali atitirpti automatiškai, jei jis yra naudojamas kambario temperatūroje, žemesnėje nei 18 °C. Atitirpinimas prietaisas gali įsijungti ir veikti tam tikrą laiką (apie 8 minutes) automatiškai kas 40 minučių ar net ilgiau.

Atšildymo metu neišjunkite jungiklio ir neištraukite sausintuvus maitinimo kištuką.

Šis oro sausintuvas neturi aušinimo funkcija. Veikdamas jis išskiria šilumą ir gali padidinti kambario temperatūrą 1–4 °C.

PRIEŽIŪRA

- Įrenginį valykite minkšta drėgna šluoste. Nenaudokite tirpiklių ar stiprių valiklių, nes taip galima pažeisti prietaiso paviršius.

APTARNAVIMAS

Jeigu reikia taisyti oro sausintuvą, pirmiausia kreipkitės į vietos pardavėją.

GARANTIJS

2 metų produkto garantija. Atkreipkite dėmesį, kad garantija galioja tik pateikus pirkimo kvitą.

SAUGOJIMAS

Prieš pastatydami įrenginį saugoti, atlikite šiuos veiksmus:

1. Įsitikinkite, ar vandens bakas tuščias. Jei įrenginys įjungtas, pasirūpinkite, kad įrenginys veiktų vėdinimo režimu bent 30 minučių, kad būtų pašalintas vanduo įrenginio viduje.
2. Surinkite ir vyniokite maitinimo laidą.
3. Išvalykite filtrą.
4. Laikykite švarioje, sausoje aplinkoje.

PATARIMAI

Kai sausintuvas naudojamas labai drėgnose aplinkose arba kai temperatūra yra žemesnė nei + 5 °C, sausintuvas nustos veikti. Ant aušinimo radiatoriaus susikaupia daug ledo. Išjunkite sausintuvą ir padėkite jį šiek tiek aukščiau grindų lygio, kad ledas ištirptų.

Kartais gali būti naudinga panaudoti šildytuvą su ventiliatoriumi, kad būtų užtikrinta, jog temperatūra nenukris žemiau + 10 °C. Net jei MDX14 veikia esant + 5 °C temperatūrai, jo pajėgumas bus didesnis, esant aukštesnei temperatūrai, nes šiltas oras perneša daugiau vandens.

Hidrostatato paklaida yra apie +/- 5–10 %. Esant žemai temperatūrai, paklaida gali padidėti.

Rudenį ir vasarą sausintuvas veiks efektyviau, nes išorės oras yra šiltesnis ir drėgnesnis.

SVARBU! – „Wood’s“ oro sausintuvai privalo būti jungiami į žemintą elektros lizdą. Maitinimo šaltinis turi būti 220–240 V 50 Hz

PROBLEMA	SPRENDIMAS
Oro sausintuvas neįsijungia	<ul style="list-style-type: none"> - Patikrinkite, ar oro sausintuvas įjungtas į elektros lizdą ir ar saugikliai nėra perdege. - Jeigu dega įspėjamoji lemputė, patikrinkite, ar vandens bakelis yra tuščias ir teisingai įstatytas į sausintuvą. Patikrinkite, ar plūdė juda laisvai
Nerenka drėgmės	<ul style="list-style-type: none"> - Patikrinkite, ar veikia ventiliatorius. - Patikrinkite, ar oro srautas gali lengvai cirkuluoti sausintuve. Viršutinės grotelės ir galinis oro filtras turi stovėti mažiausiai 30 cm atstumu nuo sienos ar kitų daiktų. - Paklauskite ar veikia kompresorius, tačiau atminkite, kad oro sausinimas gali neveikti, aplinkos drėgnumui pasiekus nustatytą ribą. - Patikrinkite, ar ant šaldymo radiatoriaus nesusiformavo storas ledas.
Didelis garsas	<ul style="list-style-type: none"> - Patraukite oro sausintuvą nuo netoliese esančių daiktų. - Šaldymo radiatoriaus spiralės gali liestis viena su kita. Išjunkite oro sausintuvą ir išskirkite radiatorius.
Neišsijungia, kai prisipildo vandens bakelis	- Labai svarbu, kad plūdė laisvai ir netrukdomai judėtų vandens bakelyje. Priešingu atveju, plūdė nereaguos į vandens lygį ir oro sausintuvas neįsijungs.
Vanduo neteka į baką	- Patikrinkite, ar nėra užsikūšęs vandens nutekėjimo antgalis virš bakelio.
FL	- Vandens bakas yra pilnas. Ištuštinkite vandens baką ir įstatykite jį atgal.
E1	- Temperatūros–drėgmės jutiklio gedimas. Pakeiskite temperatūros–drėgmės jutiklį.

Jeigu iškilusi problema nėra aprašyta, kreipkitės į pardavėją arba į kvalifikuotos techninės priežiūros atstovą.

TECHNINIAI DUOMENYS

	MDX14
Maksimalus patalpų plotas	40 m ²
Oro srautas 1 režimu	100 m ³ /h
Oro srautas 2 režimu	120 m ³ /h
Našumas esant 20 °C ir 70 % drėgmės lygiui	6,0 l/24 val.
Našumas esant 30 °C ir 80 % drėgmės lygiui	10 l/24 val.
Energijos suvartojimas esant 20 °C ir 70 % drėgmės lygiui	180 W
Energijos suvartojimas esant 20 °C ir 70 % sant. drėgn.	4,3 kWh/24 val.
Bakelio talpa	1,5 l
Šaltnešis	R290
R290 kiekis	40 g
Įtampa	220–240 V
Dažnis	50 Hz
Srovė	1 A
IP kodas	IPX2
Garsumo lygis, dB	43 dB
Svoris	9,1 kg
Matmenys mm, l x P x A	293x183x493

* Gali būti techninių pakeitimų ir patobulinimų. Visos vertės yra apytikrės ir gali skirtis dėl išorinių aplinkybių, pavyzdžiui, temperatūros, vėdinimo ir drėgmės.



PASTABA!

Užsiregistruokite adresu www.warranty-woods.com ir sužinokite daugiau apie tai, kaip pratęsti garantiją. Daugiau informacijos pateikiama tinklapyje www.woods.se.

Rekomenduojamos sąlygos tinkamam oro sausintuvo veikimui

Temp. nuo +5 °C iki +35 °C
Santykinis oro drėgnumas: nuo 30 % iki 90 %
Rekomenduojamas drėgnumo lygis: apie 50 % SOD

Garantijos

2 metų vartotojo garantija dėl gamybos trūkumų nebuvimo. Atkreipkite dėmesį, kad garantija galioja tik pateikus pirkimo kvitą. Garantija galioja tik tuo atveju, jei prietaisas buvo naudojamas pagal instrukcijas ir saugos įspėjimus, pateikiamus šiame vadove. Garantija neapima žalos, atsiradusios dėl netinkamo produkto naudojimo.

PASTABA: 2 metų garantija taikoma tik buitiniams vartotojams, be komerciniam prietaiso naudojimui.

WOOD'S IR VIENS NO GAISA SAUSINĀTĀJU LĪDERIEM PASAULĒ

Uzņēmuma Wood's gaisa sausinātāji ir atzīti tirgus līderi jau daudzus gadus. Šie gaisa sausinātāji ir piemēroti lietošanai visprasīgākajā klimatā, kur sausināšanas veiktspēja ir laba pat dažādos temperatūras un mitruma līmeņos. Tie nodrošina labus rezultātus telpās, kuras kļūst mitras, piemēram, pagrabos, garāžās un vasarnīcās. Tie ir arī lieliski piemēroti mazgāšanas telpu, bēniņu, peldbaseinu telpu un veļas mazgātavu sausināšanai. Tie ir efektīvi un patērē maz enerģijas. Tie neizraisa drēbju nonēsāšanos.

Gaisa sausinātāja savāktais mitruma daudzums ir atkarīgs no temperatūras, mitruma līmeņa un novietojuma. Arī ekstrēmi laikapstākļi var ietekmēt gaisa sausinātāja veiktspēju. Aukstā laikā pazeminās absolūtais mitrums, tāpēc gaisa sausinātājs savāc mazāk mitruma no gaisa. (Relatīvais mitrums joprojām var būt augsts.) Wood's gaisa sausinātāji ir droši darbībā un paredzēti darbībai daudzus gadus garumā.

Wood's gaisa sausinātāji ir droši ekspluatācijā un paredzēti nepārtrauktai darbībai daudzus gadus garumā.

PĀRMĒRĪGA MITRUMA BĪSTAMĪBA

Gaisā esošajiem ūdens tvaikiem saskaroties ar aukstu virsmu, piemēram, aukstu logu vai sienu, notiek kondensācija. Kad ūdens tvaiki atdziest, notiek kondensācija un izveidojas ūdens piles. Augsta gaisa mitruma dēļ gaisā var būt jūtama pelējuma smaka un var veidoties pelējums, kas bojā ēkas un mēbeles. Šāda vide var izraisīt pat iedzīvotāju saslimšanu. Turklāt mitrā vidē labprāt dzīvo ērces un zirnekļi. Augstas veiktspējas gaisa sausinātājs rada labu, veselīgu mitruma līmeni. Lai nodrošinātu augstāko efektivitāti, jābūt aizvērtiem sausināmo telpu logiem un durvīm. Sausinātājs likvidē smakas, žāvē malku un atbrīvo āra aprikojumu no mitruma.

1. DROŠĪBAS BRĪDINĀJUMI



Viegli uzliesmojošs materiāls. Šī ierīce satur R290/propānu, kas ir viegli uzliesmojošs aukstumāģents.



Informāciju par drošību skatiet šajā rokasgrāmatā.



Izlasiet tehnisko rokasgrāmatu



Izlasiet operatora rokasgrāmatu.

INFORMĀCIJA PAR DROŠĪBU

Pirms ierīces uzstādīšanas un lietošanas uzmanīgi izlasiet komplektācijā ietverto instrukciju. Ražotājs neuzņemas atbildību par nepar4eizas uzstādīšanas un lietošanas izraisītiem savainojumiem un bojājumiem. Vienmēr glabājiet instrukciju ierīces tuvumā turpmākai uzziņai.

Bērnu un neaizsargātu personu drošība

BRĪDINĀJUMS

Traumu vai neatgriezeniskas invaliditātes risks.

Šo ierīci drīkst lietot bērni no 8 gadu vecuma un personas ar fiziskiem, maņu orgānu vai garīgiem traucējumiem, kā arī personas, kurām nav nepieciešamās pieredzes un zināšanu, ja tās ir

saņēmušas praktisku apmācību vai norādījumus par ierīces lietošanu drošā veidā un saprot ar to saistītos apdraudējumus.

Neļaujiet bērniem rotaļāties ar ierīci.

Bērni līdz 3 gadu vecumam nedrīkst tuvoties ierīcei, ja vien viņi netiek nepārtraukti uzraudzīti. Sargājiet visu iepakojumu no bērniem.

Bērni nedrīkst bez uzraudzības veikt tīrīšanu un lietotāja apkopi.

Vispārējā drošība

Šī ierīce ir paredzēta lietošanai mājāsaimniecībās un līdzīgās vietās, piemēram, pagrabos, bēniņos, kā arī veikalā, biroju un citu darbvietu darbinieku virtuves zonās. Nominālo tehnisko datu plāksnīte atrodas gaisa sausinātāja aizmugurē vai sānos. Nodrošiniet, lai ventilācijas atveres nebūtu nosprostotas.

Atkausēšanas procesa paātrināšanai neizmantojiet mehāniskas ierīces vai citus līdzekļus, ko nav ieteicis ražotājs. Ierīci nedrīkst glabāt telpā, kur darbojas uzliesmošanas avoti (piemēram, atklāta liesma, aizdegta gāzes ierīce vai ieslēgts elektriskais sildītājs). Necaurduriet un nededziniet. Ņemiet vērā, ka aukstumāģentiem var nebūt smaržas. Ierīces tīrīšanai neizmantojiet ūdens smidzinātāju un tvaiku. Tīriet ierīci ar mitru mīkstu drānu. Izmantojiet tikai neitrālus mazgāšanas līdzekļus. Neizmantojiet abrazīvus produktus, abrazīvus tīrīšanas spilventiņus, šķīdinātājus vai metāla priekšmetus.

Ja ir bojāts strāvas padeves vads, ražotājam, tā pilnvarotam apkopes centram vai līdzīgām kvalificētām personām tas ir jānomaina, lai novērstu apdraudējumu.

DROŠĪBAS NORĀDĪJUMI

Uzstādīšana **BRĪDINĀJUMS**



Šo ierīci drīkst uzstādīt tikai kvalificēta persona.

Noņemiet visu iepakojumu.

Neuzstādi un nelietojiet bojātu ierīci. Ierīce ir jāuzstāda, jālieto un jāglabā telpā, kur uz grīdas ir vismaz 2 m² brīvas vietas. Izpildiet ierīces komplektācijā ietvertajā uzstādīšanas instrukcijā sniegtos norādījumus.

Pārvietojot ierīci, vienmēr rīkojieties piesardzīgi, jo ierīce ir smaga.

Vienmēr lietojiet aizsargcimdus.

Nodrošiniet, lai ap ierīci varētu cirkulēt gaiss.

Pirms ierīces pievienošanas strāvas avotam uzgaidiet vismaz 4 stundas.

Tā ir jārikojas, lai eļļa varētu ieplūst atpakaļ kompresorā.

Neuzstādi ierīci radiatoru vai citu karstuma avotu tuvumā.

Neuzstādi ierīci tiešā saules gaismā.

Elektriskais savienojums **BRĪDINĀJUMS**



Ugunsgrēka un elektriskās strāvas trieciena risks.

Ierīce ir jāpievieno iezemētai kontaktligzdai.

Pārliedzieties, vai nominālo

tehnisko datu plāksnītē norādītie elektrības dati atbilst strāvas avota

parametriem. Ja tā nav, sazinieties ar elektriķi.

Vienmēr izmantojiet pareizi uzstādītu triecienizturīgu kontaktligzdu.

Neizmantojiet vairāku ligzdu adapterus un pagarinātājus.

Uzmanieties, lai nesabojātu elektriskās sastāvdaļas (piemēram, strāvas padeves kontaktdakšu un kabeli).

Ja ir jānomaina elektriskās sastāvdaļas, sazinieties ar pilnvaroto apkopes centru vai elektriķi.

Strāvas padeves kabelim ir jāatrodas zemāk par strāvas padeves kontaktdakšu.

Pievienojiet strāvas padeves kontaktdakšu elektrotīkla kontaktligzdai tikai uzstādīšanas beigās.

Pēc uzstādīšanas pārliedzieties, vai var piekļūt strāvas padeves kontaktdakšai.

Nevelciet strāvas padeves kabeli, lai atvienotu ierīci. Vienmēr velciet strāvas padeves kontaktdakšu.

Lietošana

BRĪDINĀJUMS



Savainojumu, apdegumu, elektriskās strāvas trieciena vai ugunsgrēka risks.

Nemainiet šīs ierīces tehniskos datus.

Uzmanieties, lai nesabojātu aukstumaģenta kontūru. Tas satur propānu (R290), kas ir dabasgāze ar augsta līmeņa saderību ar vidi. Šī gāze ir viegli uzliesmojoša.

Aukstumaģenta kontūra bojājumu gadījumā nodrošiniet, lai telpā nebūtu liesmu un uzliesmošanas avotu. Izvēdiniet telpu.

Neievietojiet uz ierīces vai tās tuvumā viegli uzliesmojošus produktus vai ar šādiem produktiem samitrinātus priekšmetus.

Likvidēšana

BRĪDINĀJUMS



Savainojumu risks.

Atvienojiet ierīci no strāvas avota. Nogrieziet strāvas padeves vadu un izmetiet to.

Šīs ierīces aukstumaģenta kontūrs nav kaitīgs ozonam. Sazinieties ar pašvaldības iestādi, lai uzzinātu, kā pareizi likvidēt ierīci.

Nesabojāiet siltummaiņa tuvumā esošo dzesēšanas bloka daļu.

GAISA SAUSINĀTĀJA SAGATAVOŠANA UZSTĀDĪŠANAI

SVARĪGI:

2. Uzstādīšana

PIRMS PIRMĀS LIETOŠANAS

Pirms lietošanas ļaujiet ierīcei pastāvēt

4 stundas

Vietas izvēle

Svarīgi

1. Lai gaisa sausinātājs darbotos ar maksimālu efektivitāti, tas jāizmanto slēgtā zonā.

Aizveriet visas durvis, logus un citas telpas ārējās atveres. Gaisa sausinātāja efektivitāte ir atkarīga no ātruma, kādā mitrs gaiss iekļūst telpā.

2. Novietojiet gaisa sausinātāju vietā, kas neierobežo gaisa plūsmu caur ierīces priekšpusi.

3. Gaisa sausinātājs, kas darbojas telpā maz ietekmē vai vispār neietekmē blakusesošas slēgtās novietnes zonas, piemēram skapja, žāvēšanu, ja vien zonā un ārpus tās nav atbilstošas gaisa cirkulācijas. Lai žāvēšana būtu apmierinoša, iespējams, vajadzētu uzstādīt otru gaisa sausinātāju slēgtā zonā.

4. Ierīce ir jānovieto uz stabilas un līdzenas virsmas. Ja virsma nav stabila, pastāv pārmērīgas vibrācijas un ūdens noplūdes risks.

5. Ap ierīci jābūt vismaz 30 cm brīvai vietai.

PRODUKTA APRAKSTS

3. Produkta apraksts

A

1. Priekšējais apvalks
2. Ritenīši
3. Augšējais panelis

B

1. Filtrs
2. Pastāvīgas drenāžas ports

C

1. Ūdens tvertne

D

1. Augšējais panelis

E

Vadības panelis

1. BAROŠANAS poga: ieslēgt vai izslēgt ierīci
2. Poga TAIMERIS: iestatiet taimeru, vaicājuma taimeru un atceliet taimeru.
3. Poga ĀTRUMS: ventilators darbojas mazā vai lielā ātrumā.
4. Poga AUGŠUP: regulējiet mitrumu vai laiku.
5. Poga LEJUP: regulējiet mitrumu vai laiku.
6. Poga REŽĪMS: Ventilators --- Eco --- Žāvētājs --- Automātiski --- Sausināšana

F

1. Priekšējais apvalks
2. Labās puses apvalks
3. Ūdens tvertne

G

1. Vadības panelis
2. Filtrs
3. Pastāvīgas drenāžas ports
4. Aizmugurējais apvalks
5. Gaisa izplūde
6. Kreisais apvalks
7. Ritenītis

H

1. Turiet augšējo paneli vismaz 50 cm attālumā no citiem priekšmetiem.
2. Uzturiet attālumu virs 30 cm starp ierīci un apkārtējiem priekšmetiem vai sienām.

I

1. Manuāla drenāža
2. Pastāvīga drenāža

GAISA SAUSINĀTĀJA NOVIETOJUMS

- Gaisa sausinātāju nevajadzētu novietot blakus radiatoriem vai citiem siltuma avotiem vai novietot tiešos saules staros, jo tas ietekmēs tā veikspēju.
- Ideālā variantā to novieto istabas/telpas centrā.



PIEZĪME. Izmantojot gaisa sausinātāju dušas vai vannas istabā, tas jānofiksē vietā. Pirms lietošanas obligāti jāizlasa un jāievēro vietējie noteikumi par elektroierīcēm vannas istabā.

GAISA SAUSINĀTĀJA LIETOŠANA

Ja gaisa sausinātāju pārvieto horizontāli, pirms izmantošanas tam ir jāpastāv 4 stundas. Ir ļoti svarīgi, lai eļļa satecētu atpakaļ kompresorā, jo citādi gaisa sausinātājs var tikt nopietni bojāts.

1. Pārbaudiet, vai ūdens tvertne ir pareizi novietota.
2. Pievienojiet gaisa sausinātāju iezemētam strāvas avotam.
3. Iestatiet funkciju vai vēlamo mitruma līmeni. Skatiet sadaļu par mitruma regulāciju.

EKSPLUATĀCIJAS ROKASGRĀMATA

1. Barošanas poga: ar šo pogu var vadīt ierīces ieslēgšanu un izslēgšanu.
2. Režīma poga: Nospiediet, lai atlasītu vēlamo režīmu. To var pārslēgt uz normālas sausināšanas, eko sausināšanas, automātiskas sausināšanas, ventilācijas režīmu un sausa apgērba režīmu.

EKO REŽĪMS

Ja ierīce darbojas EKO REŽĪMĀ, noklusējuma mitruma līmenis ir RH60 %.

a) Ja apkārtējās vides mitrums $\geq 60\%$, ierīce darbojas kā gaisa sausinātājs,

ventilatora ātrums nav regulējams.

b) Ja apkārtējās vides mitrums $< 60\%$, ierīce darbojas kā ventilators, ventilatora ātrums nav regulējams.

c) Mitruma līmenis nav regulējams.

VENTILATORA REŽĪMS

Šajā režīmā kompresors nedarbojas, ventilators darbojas zemā ātrumā pēc noklusējuma tikai ventilācijai, ventilatora ātrums ir regulējams, mitruma līmeni nevar iestatīt, gaisa mitruma līmenis (30-90 % RH) tiks norādīts displeja panelī.

SAUSAIS REŽĪMS

Šajā režīmā kompresors strādā nepārtraukti un ventilators darbojas lielā ātrumā neatkarīgi no telpas mitruma. Ir piemērojama kompresora trīs minūšu aizkaves aizsardzības funkcija, ventilatora ātrumu un mitruma līmeni nevar regulēt, vides mitruma līmenis (30-90 % RH) tiek rādīts displeja panelī.

AUTOMĀTISKAIS REŽĪMS

Kad ierīce darbojas AUTOMĀTISKAJĀ REŽĪMĀ, mitruma noklusējuma līmenis ir RH50 %

- a) Ja vides mitrums $\geq 70\%$, ierīce darbojas kā spēcīgs gaisa sausinātājs un ventilatora ātrums nav regulējams.
- b) Ja vides mitrums ir $\leq 50\%$ un mitrums $< 70\%$, ierīce darbojas kā gaisa sausinātājs un ventilatora ātrums nav regulējams.
- b) Ja vides mitrums ir $< 50\%$, ierīce darbojas kā ventilators zemā ātrumā un ventilatora ātrums nav regulējams.
- d) Vides mitruma līmenis (30-90 % RH) tiks norādīts displeja panelī, mitrums nav regulējams.

GAISA SAUSINĀŠANAS REŽĪMS

Pirmoreiz ieslēdzot vai izvēloties pēc režīma pārveides, ierīce darbojas gaisa sausināšanas režīmā, ventilatora ātrums pēc noklusējuma ir augsts; nospiediet AUGŠUP un LEJUP, lai regulētu mitruma iestatījumus (35-85 %).

3. Mitrumu var iestatīt 35 %-85 % (5 % korekcijas koeficients), mitruma

iestatījums ir spēkā tikai sausināšanas režīmā.

4. Taimeris: var iestatīt ierīces darbības ilgumu vai tās palaišanas laiku. Var izvēlēties 1-24 stundas.
5. Ventilatora ātrums: ātruma taustiņš darbojas tikai gaisa sausināšanas režīmā un ventilācijas režīmā.
6. Bērnu bloķējums: lai iestatītu vai izslēgtu bērnu bloķēšanas funkciju, nospiediet "Taimeris" un "Ātrums".

ŪDENS NOTECINĀŠANA

Kad ūdens tvertne ir pilna, gaisa sausinātājs automātiski izslēdzas.

1. Atvienojiet gaisa sausinātāju no strāvas avota.
2. Iztukšojiet ūdens tvertni.
3. Ievietojiet ūdens tvertni atpakaļ un pārbaudiet, vai pludiņš kustas brīvi.
4. Pievienojiet gaisa sausinātāju pie strāvas avota.

Tieša ūdens novadīšana
Pievienojiet ūdens šļūteni caurulei gaisa sausinātāja aizmugurē. Otru šļūtenes galu novietojiet ūdens noteces vietā. Nodrošiniet, lai ūdens varētu tecēt lejup smaguma spēka ietekmē.

GAISA FILTRS

Gaisa filtrs novērš putekļu un netīrumu iekļūšanu ierīcē, pagarinot tās paredzēto kalpošanas laiku. Svarīgi, lai filtrs tiktu regulāri tīrīts.

Filtra tīrīšana:

1. Izņemiet filtru.
2. Mazgājiet filtru ar siltu ūdeni un maigu tīrīšanas līdzekli. Cita iespēja ir filtru izsūkt ar putekļu sūcēju.
3. Ļaujiet filtram izžūt un ievietojiet to atpakaļ.

ATKAUSĒŠANAS DARBĪBA

Iztvaicētājs gaisa sausinātājā var automātiski veikt atkausēšanu, ja to darbina istabas temperatūrā zem 18 °C. Atkausēšanas ierīci var palaist un darbināt kādu laiku (apmēram 8 minūtes) automātiski ik pēc 40 minūtēm vai pat ilgāk.

Lūdzu, atkausēšanas laikā neizslēdziet gaisa sausinātāja slēdzi un neatslēdziet kontaktdakšu.

Šim gaisa sausinātājam nav dzesēšanas funkcijas. Darbības laikā tas rada siltumu un var paaugstināt istabas temperatūru par 1-4 °C.

UZTURĒŠANA

- Notīriet ierīci ar mīkstu, mitru drānu. Neizmantojiet šķīdinātājus vai spēcīgus tīrīšanas līdzekļus, jo tā var sabojāt ierīces virsmu.

TEHNISKĀ APKOPE

Ja gaisa sausinātājam ir nepieciešama tehniskā apkope, vispirms jāsaazinās ar vietējo mazumtirgotāju.

GARANTIJAS

Ierīces 2 gadu garantija. Lūdzu, ņemiet vērā, ka garantija ir derīga, tikai uzrādot pirkuma čeku.

GLABĀŠANA

Pirms ierīces glabāšanas, lūdzu, veiciet šīs darbības:

1. Pārlicinieties, vai ūdens tvertne ir tukša. Ieslēdzot ierīci, nodrošiniet tās darbību ventilācijas režīmā vismaz 30 minūtes, lai izvadītu ūdeni no ierīces iekšpuses.
2. Savāciet un satiniet strāvas vadu.

3. Iztīriet filtru.
4. Glabājiet tīrā, sausā vidē.

PADOMI

Ja gaisa sausinātāju lieto ļoti mitrā vidē vai temperatūrā zem + 5 °C, tas pārtrauc darbu. Uz dzesēšanas spirāles uzkrājas daudz ledus daudzums. Izslēdziet gaisa sausinātāju un novietojiet to nedaudz virs grīdas līmeņa, lai izkausētu ledu.

Dažreiz var būt noderīgi izmantot ventilatora tipa sildītāju, lai nepieļautu ierīces temperatūras pazemināšanos zem +10 °C. Pat ja MDX14 darbojas tik zemā temperatūrā kā +5 °C, augstākā temperatūrā tā jauda pieaug, jo siltais gaiss pārvieto vairāk ūdens.

Hidrostatā kļūdas robeža ir aptuveni +/- 5-10 %. Zemākā temperatūrā kļūdas robeža var palielināties vēl vairāk.

Rudenī/vasarā gaisa sausināšanas jauda ir lielāka, jo āra gaiss ir siltāks un mitrāks.

SVARĪGI! - Wood's gaisa sausinātāji ir jāpievieno iezemētam strāvas avotam. Strāvas avotam ir jānodrošina 220-240 V un 50 Hz strāvas padeve

PROBLĒMA	RISINĀJUMS
Gaisa sausinātājs neieslēdzas	<ul style="list-style-type: none"> - Pārbaudiet, vai gaisa sausinātājs pievienots pie elektrolīzēšanas un vai nav pārdeguši drošinātāji. - Ja deg brīdinājuma lampiņa, pārbaudiet, vai ūdens tvertne ir tukša un pareizi ievietojiet to sausinātājā. - Pārbaudiet, vai pludiņš brīvi kustas
Nesavāc mitrumu	<ul style="list-style-type: none"> - Pārbaudiet, vai darbojas ventilators. - Pārbaudiet, vai gaisa plūsma var viegli cirkulēt caur sausinātāju. Priekšējam režģim un gaisa filtram jābūt tīram, un gaisa sausinātājam ir jāatrodas vismaz 30 cm attālumā no sienām. - Klausieties kompresora skaņu, bet atcerieties, ka gaisa sausinātājs var apstāties, ja vides mitrums sasniedz iestatīto mitrumu. - Pārbaudiet, vai uz dzesēšanas radiatora neveidojas biezs ledus.
Liels troksnis	<ul style="list-style-type: none"> - Pārvietojiet gaisa sausinātāju tālāk no tuvumā esošiem priekšmetiem. - Dzesēšanas spirāles var savstarpēji saskarties. Atslēdziet gaisa sausinātāju un atdaliet spirāles.
Neizslēdzas pēc ūdens tvertnes uzpildīšanas	<ul style="list-style-type: none"> - Ļoti svarīgi, lai pludiņš brīvi un netraucēti kustētos ūdens tvertnē. Pretējā gadījumā pludiņš nereaģē uz ūdens līmeni un gaisa sausinātājs neizslēdzas
Ūdens netek tvertnē	<ul style="list-style-type: none"> - Pārbaudiet, vai nav nosprostots ūdens noplūdes uzgalis virs tvertnes
FL	<ul style="list-style-type: none"> - Pilna ūdens tvertne. Iztukšojiet ūdens tvertni un uzstādiet vietā.
E1	<ul style="list-style-type: none"> - Temperatūras-mitruma sensora kļūme. Nomainiet temperatūras-mitruma sensoru.

Ja problēma nav aprakstīta, sazinieties ar tuvāko mazumtirgotāju par gaisa sausinātāja pārbaudi un iespējamo remontu.

TEHNISKIE DATI

	MDX14
Maksimālā telpu platība	40 m ²
Gaisa plūsma pirmajā režīmā	100 m ³ /h
Gaisa plūsma otrajā režīmā	120 m ³ /h
Sausināšanas veiktspēja 20 °C temperatūras un 70% relatīvā mitruma apstākļos	6,0 l/24 h
Sausināšanas veiktspēja 30 °C temperatūras un 80% relatīvā mitruma apstākļos	10 l/24 h
Jauda 20 °C temperatūras un 70% relatīvā mitruma apstākļos	180 W
Strāvas patēriņš 20 °C temperatūras un 70% relatīvā mitruma apstākļos	4,3 kWh/24 h
Tvertnes tilpums	1,5 litri
Aukstumaģents	R290
R290 uzpilde	40 g
Spriegums	220-240 V
Frekvence	50 Hz
Strāvas stiprums	1 A
IP kods	IPX2
Skaņas līmenis decibelos	43 dB
Svars	9,1 kg
Izmēri (mm), G x Dz x A	293 x 183 x 493

*Var tikt veiktas tehniskas izmaiņas un uzlabojumi. Visas vērtības ir aptuvenas un var atšķirties ārēju apstākļu, piemēram, temperatūras, ventilācijas un mitruma, ietekmē.



PIEZĪME.

Reģistrējieties vietnē www.warranty-woods.com un izlasiet, kā saņemt paplašināto garantiju. Lai iegūtu papildinformāciju, apmeklējiet vietni woods.se.

Ieteicamie diapazoni iekārtas sekmīgai lietošanai

Temp. +5 °C - +35 °C
 Relatīvais mitrums: no 30% līdz 90%
 Ieteicamais mitruma līmenis:
 aptuveni 50 % relatīvā mitruma

Garantija

2 gadu lietotāja garantija pret ražošanas kļūmēm. Lūdzu, ņemiet vērā, ka garantija ir derīga, tikai uzrādot pirkuma čeku. Garantija ir spēkā tikai tad, ja ierīce tiek izmantota atbilstoši šajā rokasgrāmatā sniegtajiem norādījumiem un brīdinājumiem par drošību. Garantija neattiecas uz jebkādiem bojājumiem, kas radušies nepareizas rīcības dēļ ar ierīci.

PIEZĪME. 2 gadu garantija attiecas tikai uz lietošanu mājāsaimniecībās, nevis uz ierīces komerciālu izmantošanu.

WOOD'SI ÕHUKUIVATID ON MAAILMA PARIMATE HULGAS

Wood'si õhukuivatid on turuliidrid olnud juba mitmeid aastaid. Need õhukuivatid sobivad kasutamiseks ka kõige karmimates tingimustes, kus nende niiskuskogumise jõudlus on suur isegi madala temperatuuriga ruumis. Need toimivad tõhusalt niisketes ruumides, näiteks keldris, garaazis või suvilas. Vähesese energiakuluga efektiivselt töötavad õhukuivatid on suurepärased abivahendid pesu, pööningute, ujulade ja pesuruumide kuivatamisel. Need on tõhusad ja madala energiatarbega. Riided peavad õhukuivati kasutamise korral kauem vastu.

Niiskuse kogus, mille õhukuivati ruumi õhust kokku kogub, sõltub ruumi temperatuurist, niiskustasemest ja seadme asukohast. Ka välised ilmastikutingimused võivad õhukuivati töö kvaliteeti mõjutada. Külma ilmaga absoluutne õhuniiskus langeb, mistõttu väheneb ka õhukuivati poolt õhust kogutava vee hulk. (Suhteline õhuniiskus võib olla endiselt kõrge.) Wood'si õhukuivatid töötavad ohutult. Need on ette nähtud püsivaks kasutuseks.

Wood'si õhukuivatid töötavad ohutult. Need on ette nähtud pikaajaseks püsivaks kasutuseks.

LIIGNIISKUSE OHT

Kui õhus leiduv veeaur puutub kokku külma pinnaga, nagu külma aken või sein, muutub see kondensaadiks. Kui veeaur jahtub, tekib kondensaat ja moodustuvad veetilgad. Kui õhus on palju niiskust, muutub õhk röskeks ja võib tekkida hallitus, mis kahjustab hooneid ja mööblit. Selline keskkond võib põhjustada isegi elanikele terviseprobleeme. Niiskes keskkonnas levivad hästi ka lestad ja ämblikud. Suure jõudlusega õhukuivati loob hea ja tervisliku niiskustaseme. Parima tõhususe saavutamiseks tuleks hoida kuivatatava ruumi ukсед ja aknad suletuna. Õhukuivati kõrvaldab ebameeldiva niiskuselõhna, kuivatab puitu ja märjaks saanud varustust.

1. TURVAHOIATUSED



Tuleohtlik materjal. Antud seade sisaldab kergestisüttivat külmutusagensit R290/propaan.



Ohutusteavet leiate sellest juhendist.



Lugege tehnilist juhendit



Vt kasutusjuhendit.

OHUTUSALANE TEAVE

Enne seadme paigaldamist ja kasutamist lugege komplektis olev juhend hoolikalt läbi. Tootja ei ole vastutav, kui vale paigaldus ja kasutus toob kaasa kehavigastusi ning kahjusid. Hoidke kasutusjuhend tulevikus kasutamiseks alati seadme juures.

Laste ja haavatavate isikute ohutus

HOIATUS



Kehavigastuste või püsiva tervisekahjustuse oht. Antud seadet võivad kasutada 8-aastased ja vanemad lapsed ning väiksemate füüsiliste, sensoorsete või vaimsete võimetega isikud või vastavate kogemusteta ja teadmisteta isikud, kui nad teevad seda järelevalve all või neile on õpetatud seadme ohutut kasutamist ning nad mõistavad seonduvaid ohtusid.

Ärge laske lastel seadmega mängida.

Alla 3-aastased lapsed tuleb hoida seadmest eemal, välja arvatud pideva järelevalve puhul. Hoidke kõiki pakendusdetalle lastele kättesaamatult. Lapsed ei tohi ilma järelevalveta seadet puhastada ja hooldada.

Üldine ohutus

Antud seade on mõeldud kasutamiseks majapidamistes ja sellistes kohtades nagu keldrid, vundamendivahed, töötajate kööginurgad poodides, kontorites ning muudes töökohtades. Andmeplaat paikneb õhukuivati taga või küljel. Vältige ventilatsiooniavade blokeerimist.

Ärge kasutage sulatuse kiirendamiseks mehaanilisi võtteid või muid meetodeid, mis pole tootja poolt soovitatud. Seadet ei tohi hoiustada ruumis, kus on aktiivsed süttimisallikad (nt lahtine tuli, töötav gaasiseade või töötav elektriline küttekeha). Ärge torgake läbi ega põletage. Võtke arvesse, et külmutusagensid võivad olla lõhnatud. Ärge piserdage seadet puhastamiseks veega ega kasutage auru. Puhastage seadet niiske lapiga. Kasutage ainult neutraalseid pesuvahendeid. Ärge kasutage abrasiivseid tooteid, abrasiivseid puhastuslappe, lahusteid ega metallesemeid. Kui elektritoitejuhe on kahjustatud, peab selle ohu vältimiseks vahetama tootja, tootja volitatud

teeninduskeskus või sarnase kvalifikatsiooniga isikud.

OHUTUSJUHISED

Paigaldus

HOIATUS



Antud seadet võib paigaldada ainult kvalifitseeritud isik. Eemaldage kõik pakendusdetailid. Ärge paigaldage ega kasutage kahjustatud seadet. Seade tuleb paigaldada ja seda kasutada ning hoiustada ruumis, mille pindala on suurem kui 2 m². Järgige seadmega komplektis olevat paigaldusjuhendit. Olge seadme liigutamisel alati ettevaatlik, kuna see on raske. Kandke alati kaitsekindaid.

Kindlustage, et õhk pääseks seadme ümber liikuma. Oodake enne seadme elektritoitega ühendamist vähemalt 4 tundi. See võimaldab õlil tagasi kompressorisse voolata. Ärge paigaldage seadet radiaatorite või muude küttekehade lähedusse. Ärge paigaldage seadet otsese päikesevalguse kätte.

Elektriühendus

HOIATUS



Tulekahju ja elektrilöögi oht. Seade tuleb ühendada maandusega pistikupessa. Veenduge, et elektritoide vastaks andmeplaadil toodud elektriandmetele. Kui mitte, võtke ühendust elektrikuga. Kasutage alati õigesti paigaldatud elektrilöögikindlat pistikupesa.

Ärge kasutage jaoturadaptereid ja pikendusjuhtmeid.

Kindlustage, et te ei kahjustaks elektrilisi komponente

(nt elektritoitepistik, elektritoitekaabel).

Elektriliste komponentede vahetamiseks võtke ühendust volitatud teeninduskeskuse või elektrikuga.

Elektritoitejuhe peab jääma elektritoitepistikust madalamale.

Ühendage elektritoitepistik pistikupessa alles paigalduse lõpus. Kindlustage, et pärast paigaldamist oleks võimalik elektritoitepistikule ligi pääseda.

Ärge tõmmake seadme vooluvõrgust lahti ühendamiseks elektritoitekaablist. Tõmmake alati elektritoitepistikust.

Kasutus

HOIATUS



Kehavigastuste, põletuste, elektrilöögi või tulekahju oht.

Ärge muutke seadme tehnilisi omadusi.

Olge ettevaatlik, et mitte kahjustada külmutusagensi torustikku. See sisaldab propaani (R290), looduslikku gaasi, millele rakenduvad ranged keskkonnanõuded. See gaas on kergesti süttiv.

Kui külmutusagensi torustik saab vigastada, kindlustage, et ruumis ei oleks lahtist tuld ega süüteallikaid. Õhutage ruumi.

Ärge pange seadme lähedale ega selle peale kergesti süttivaid tooteid ega esemeid, mis on kergesti süttivate vedelikega koos.

Kasutuselt kõrvaldamine

HOIATUS



Kehavigastuste oht.

Ühendage seade vooluvõrgust lahti.

Eemaldage elektritoitekaabel ja kõrvaldage see kasutuselt.

Antud seadme külmutusagensisüsteem on osoonisõbralik. Võtke ühendust vastava kohaliku asutusega, et saada teavet selle kohta, kuidas seade nõuetekohaselt kasutuselt kõrvaldada.

Ärge kahjustage jahutusseadme osa, mis paikneb soojusvaheti lähedal.

ÕHUKUIVATI ETTEVALMISTAMINE PAIGALDUSEKS

TÄHTIS TEAVE:

2. Paigaldus

ENNE ESMAKORDSET KASUTAMIST

Laske seadmel enne kasutamist 4 tundi seista

Asukoha valimine

Tähtis

1. Õhukuivati tuleb selle maksimaalse tõhususe huvides paigutada suletud ruumi. Sulgege kõik ukсед, aknad ja muud toas leiduvad avaused. Õhukuivati tõhusus sõltub ruumi siseneva niiske õhu kogusest.
2. Asetage õhukuivati asukohta, mis ei tõkesta õhuvoolu seadme esiossa.
3. Õhukuivati töö ei mõjuta selle läheduses olevaid suletud ruume või paiku, nt kappe, kui neis ei ole piisavat õhuringlust. Sel puhul võib olla taolistesse kohtadesse tarvilik veel ühe õhukuivati paigaldamine.
4. Veenduge, et seade on asetatud stabiilsele ja tasasele pinnale. Kui pind pole tasane, võib tekkida liigse vibratsiooni ja veelekke oht.
5. Seadme ümber peaks olema vähemalt 30 cm vaba ruumi.

TOOTEKIRJELDUS

3. Toote kirjeldus

A

1. Korpuse esiosa
2. Rattad
3. Ülemine paneel

B

1. Filter
2. Väljund pidevaks äravooluks

C

1. Veepaak

D

1. Ülemine paneel

E

Juhtpaneel

1. Toitenupp: seadme käivitamine või seiskamine
2. Taimer nupp: taimer seadmine, järeljäänud aja kontroll ja taimer tühistamine.
3. Kiirusnupp: ventilaator töötab madalal või suurel kiirusel.
4. Nupp „üles“: reguleerib niiskust või taimerit.
5. Nupp „alla“: reguleerib niiskust või taimerit.
6. Režiiminupp: ventilaator---öko---kuivati---automaatne---niiskuse eemaldamine

F

1. Korpuse esiosa
2. Korpuse parem pool
3. Veepaak

G

1. Juhtpaneel
2. Filter
3. Väljund pidevaks äravooluks
4. Korpuse tagaos
5. Öhu väljapuhe
6. Korpuse vasakpoolne osa
7. Ratas

H

1. Hoidke ülemine paneel teistest objektidest vähemalt 50 cm kaugusel.
2. Hoidke masinat ümbritsevatest seintest või objektidest vähemalt 30 cm kaugusel.

I

1. Manuaalne äravool
2. Pidev äravool

ÕHUKUIVATI PAIGUTUS

- Õhukuivatit ei tohi asetada radiaatori ega muu kütteseadme kõrvale, sest see võib seadme tööjõudlust vähendada.
- Õhukuivati ideaalne asukoht on keset tuba/ruumi.



TÄHELEPANU! Kui kasutate õhukuivatit duširuumis või vannitoas, peab seade olema paigale kinnitatud. Seadet tuleb kontrollida ja kasutada vannitoa elektrilaste nõuete järgi.

ÕHUKUIVATI KASUTAMINE

Kui õhukuivatit transporditakse horisontaalselt, tuleb sellel enne kasutamist lasta 4 tundi seista. On väga oluline, et õli voolaks tagasi kompressorisse, vastasel juhul võib õhukuivati saada tõsiselt kahjustada.

1. Kontrollige, kas veepaak on õigesti paigaldatud.
2. Ühendage õhukuivati maandatud elektritoiteallikasse.
3. Lülitage sisse funktsioon või seadke soovitud õhuniiskustase. Vt niiskuse juhtseadist puudutavat osa.

KASUTUSJUHEND

1. Toitenupp: selle nupuga saab seadet sisse ja välja lülitada.
2. Režiiminupp: vajutage, et valida soovitud režiim. Selle abil saab valida tavalise, ökonoomse, automaatse kuivatamise, ventileerimise ja riiete kuivatamise režiimi vahel.

ÕKOREŽIIM

ÕKOREŽIIMIL on niiskuse vaiketase RH60% (suhteline õhuniiskus).

- a) kui ümbritseva õhu niiskustase on $\geq 60\%$, toimib seade õhukuivatina ja ventilaatori kiirus ei ole reguleeritav.

- b) kui ümbritseva õhu niiskustase $< 60\%$, töötab seade ventilaatoriga ja ventilaatori kiirus ei ole reguleeritav.
- c) niiskustase ei ole reguleeritav.

VENTILEERIMISREŽIIM

Sellel režiimil lõpetab kompressor töö, ventilaator töötab vaikesätel madalal kiirusel vaid ventileerimiseks ning selle kiirus saab muuta, seada ei saa niiskustaset, ümbritseva õhuniiskuse piirmäär (30-90%RH) kuvatakse ekraanil.

KUIVREŽIIM

Sellel režiimil töötab kompressor pidevalt ja ventilaator töötab suurel kiirusel, olenemata toa niiskustasemest. Rakendada saab kompressori kolme minuti pikkust viiveaega, ventilaatori kiirust ja õhuniiskuse piirmäära muuta ei saa, ümbritseva õhuniiskuse piirmäär (30-90%RH) kuvatakse ekraanil.

AUTOMAATREŽIIM

AUTOMAATREŽIIMIL töötava seadme õhuniiskuse vaiketase on RH50%

- a) Kui ümbritseva õhu niiskustase on $\geq 70\%$, eemaldab seade õhust palju niiskust, ventilaatori kiirus ei ole reguleeritav.
- a) Kui ümbritseva õhu niiskustase on $< 70\%$, eemaldab seade õhust vähe niiskust ja ventilaatori kiirus ei ole reguleeritav.
- b) Kui ümbritseva õhu niiskustase $< 50\%$, töötab seadme ventilaator madalal kiirusel ja ventilaatori kiirus pole reguleeritav.
- d) Kui seadme ekraanil kuvatakse õhuniiskuse tasemeks (30-90%RH), ei ole õhuniiskuse tase reguleeritav.

ÕHUKUIVATUSREŽIIM

Seade töötab esmasel käivitamisel õhukuivatuse režiimil, või valitud on konverteerimisrežiim, ventilaatori vaikeseadet lülitub suurele kiirusele, niiskuse piirmäära saab valida ÜLES ja ALLA nuppudega (35-85%).

3. Õhuniiskust saab seada 35% ja 85% vahele (5% sammuna) ning niiskustaset saab seada vaid õhukuivatuse režiimil.
4. Taimer: võimaldab seadistada aega,

kui kaua seade töötab või viiteaega millal see käivitub. Valida saab 1-24 tunni vahel.

5. Ventilaatori kiirus: kiirusklahv töötab vaid õhukuivatuse- ja ventilatsioonirežiimil.
6. Lapselukk: Vajutage korraga klahve „Taimer“ ja „Kiirus“, et seda rakendada või tühistada.

VEE EEMALDAMINE

Kui veepaak saab täis, lülitub õhukuivati automaatselt välja.

1. Eemaldage õhukuivati elektrivõrgust.
2. Tühjendage veepaak.
3. Asetage tühi veepaak tagasi ja veenduge, et ujuk liiguks vabalt.
4. Ühendage õhukuivati elektritoiteallikaga.

Vee otsene äravool
Ühendage veevoolik õhukuivati tagaküljel asuva toruga. Juhtige teine ots äravoolu. Veenduge, et vee äravool oleks suunaga allapoole.

ÕHUFILTER

Õhufilter hoiab ära tolmu ja mustuse sattumise masinasse, pikendades selle eluiga. On oluline, et filtrit puhastataks regulaarselt.

Filtri puhastamine:

1. Eemaldage filter.
2. Peske seda sooja veega ja kerge puhastusainega. Filtri võib puhastada ka tolmuimejaga.
3. Laske filtril ära kuivada ja asetage see tagasi õhukuivatisse.

SULATI TÖÖ

Õhukuivati aurusti võib automaatselt üles sulada, kui seda käitatakse ruumis, mille temperatuur on madalam kui 18 °C. Sulatusseade võib tööle hakata ja mõnda aega töötada (u 8 minutit), seda automaatselt iga 40 minuti (või pikema ajavahe tagant) jooksul.

Palun ärge lülitage seadet selle töötamisel välja või eemaldage sulati toitejuhet.

Sulatil ei ole jahutusfunktsiooni. See toodab soojust ning võib toatemperatuuri tõsta kuni 3 kraadi.

HOOLDUS

- Puhastage seadet pehme niiske lapiga. Ärge kasutage lahusteid ega tugevaid puhastusvahendeid, sest see võib kahjustada seadme pinda.

REMONT

Kui õhukuivatit on vaja remontida, pöörduge esmalt oma kohaliku jaemüüja poole.

GARANTIID

2 aastat tootegarantiid. Pange tähele, et garantii kehtib ainult kviitungi esitamisel.

HOIUSTAMINE

Enne seadme hoiustamist, järgige neid samme:

1. Veenduge, et veepaak on tühi. Kui seade on sisse lülitatud, veenduge, et seade töötab Ventilatsioonirežiimis vähemalt 30 minutit, et eemaldada vesi seadme sees.
2. Pakkige ja eemaldage seadme toitejuhe.
3. Puhastage filter.

4. Hoiustage seadet puhtas ja kuivas keskkonnas.

NÄPUNÄITED

Kui kasutate õhukuivatit väga niiskes ruumis või ruumi temperatuur on alla +5 °C, võib kuivatit välja lülituda. Jahutusradiaatorile tekib palju jääd. Lülitage õhukuivati välja ja asetage pörandapinnast veidi kõrgemale. Moodustunud jää sulab ära.

Mõnikord on kasulik kasutada soojapuhurit, et ruumi temperatuur ei langeks alla +10 °C. Kuigi MDX14 töötab nii madalate temperatuurideni kuni +5 °C, suureneb seadme suutlikkus kõrgematel temperatuuridel, kuna soe õhk kannab rohkem vett.

Hüdrostaadi mõõtmisviga on kuni +/- 5-10%. Madalamatel temperatuuridel võib mõõtmisviga olla veelgi suurem.

Sügisel/suvel on kuivatustootlikkus suurem, kuna välisõhk on soojem ja niiskem.

OLULINE! – Wood'si õhukuivatid tuleb ühendada maandusega toiteallikaga. Elektritoiteallikas peab olema 220–240 V, 50 Hz

PROBLEEM	LAHENDUS
Õhukuivati ei käivitu	<ul style="list-style-type: none"> Kontrollige, et õhukuivati oleks ühendatud elektrivõrku ja kaitsmed ei oleks läbi põlenud. Kui hoiatustuli põleb, kontrollige, kas veepaak on tühi, ja asetage see õigesti kuivatisse. Kontrollige, kas ujuk liigub vabalt
Seade ei kogu niiskust	<ul style="list-style-type: none"> Kontrollige, kas ventilaator töötab. Kontrollige, kas õhuvool saab hõlpsalt läbi kuivati ringelda. Pealne võre ja õhufilter peavad olema puhtad ja õhukuivati peab asetsema vähemalt 30 cm kaugusel seinast. Püüdke kuulata kompressori heli, aga pidage meeles, et kuivati võib töö lõpetada, kui ümbritseva õhuniiskus jõuab seadistatud piirmääraneni. Kontrollige, et jahutusradiaatorile ei oleks tekkinud paksu jääkihti.
Vali müra	<ul style="list-style-type: none"> Tõmmake õhukuivati lähedal asuvatest esemetest eemale. Jahutusradiaatori spiraalid võivad üksteise vastu puutuda. Lülitage õhukuivati välja ja eraldage spiraalid.
Seade ei lülitu välja, kui veepaak saab täis	<ul style="list-style-type: none"> Väga tähtis on, et ujuk liiguks veepaagis vabalt ja takistamatult. Vastasel juhul ei reageeri ujuk veetasemele ja õhukuivati ei lülitu välja
Vesi ei jookse paaki	<ul style="list-style-type: none"> Kontrollige, ega vee äravooluotsak paagi kohal ei ole ummistunud
FL	<ul style="list-style-type: none"> Veepaak on täis. Tühjendage veepaak ja asetage see tagasi.
E1	<ul style="list-style-type: none"> Temperatuuri/niiskusanduri tõrge. Asendage temperatuuri/niiskuse andur.

Kui ükski ülaltoodud lahendus ei toimi, võtke ühendust lähima edasimüüjaga, et leppida kokku õhukuivati kontrollimine ja võimalik remont.

TEHNILISED ANDMED

	MDX14
Ruumi max pindala	40 m ²
Õhuvool 1. režiimil	100 m ³ /h
Õhuvool 2. režiimil	120 m ³ /h
Tootlikkus 20 °C ja 70% suhtelise õhuniiskuse juures	6,0 l/24h
Tootlikkus 30 °C ja 80% suhtelise õhuniiskuse juures	10 l/24h
Võimsus temperatuuril 20 °C ja 70% suhtelise õhuniiskuse juures	180 W
Voolutarve temperatuuril 20 °C ja 70% suhtelise õhuniiskuse juures	4,3kWh/24 h
Paagi maht	1,5 liters
Külmaaine	R290
Laadige R290	40 g
Pinge	220-240V
Sagedus	50 Hz
Voolutugevus	1A
IP-reiting	IPX2
Müratase	43dB
Kaal	9,1 kg
Mõõtmed (mm), P x L x K	293x183x493

* Tootja võib teha tehnilisi muudatusi ja täiustusi. Kõik väärtused on ligikaudsed ning võivad varieeruda olenevalt välistest teguritest, nagu temperatuur, ventilatsioon ja niiskus.



TÄHELEPANU!

Registreeruge aadressil www.warranty-woods.com ja lugege, kuidas saada pikendatud garantiid. Rohkem teavet leiab kodulehelt www.woods.se.

Soovituslikud tingimused kasutamiseks

Temperatuurivahemik 5–35 °C
Suhtelise õhuniiskuse tase: 30% kuni 90%
Soovituslik suhtelise õhuniiskuse tase: ligikaudu 50% suhteline õhuniiskus

Garantiid

2 aastane tarbijagarantii tootmisvigade korral. Pange tähele, et garantii kehtib ainult kviitungi esitamisel. Garantii kehtib ainult juhul, kui toodet kasutatakse käesolevas juhendis esitatud juhiste ja turvahoiatuste kohaselt. Garantii ei kata kahjustusi, mis on põhjustatud toote väärast käitlemisest.

TÄHELEPANU! 2-aastane garantii kehtib ainult tarbijate puhul, mitte seadme kaubanduslikul eesmärgil kasutamise korral.

Ο ΑΦΥΓΡΑΝΤΗΡΑΣ ΤΗΣ WOOD'S ΕΙΝΑΙ ΕΝΑΣ ΑΠΟ ΤΟΥΣ ΚΟΡΥΦΑΙΟΥΣ ΑΦΥΓΡΑΝΤΗΡΕΣ ΣΤΟΝ ΚΟΣΜΟ

Ο αφυγραντήρας της Wood's είναι γνωστός ως ηγέτης της αγοράς εδώ και πολλά χρόνια. Οι αφυγραντήρες της εταιρείας είναι κατάλληλοι για χρήση στα πιο απαιτητικά κλίματα, όπου η ικανότητα αφύγρανσης είναι καλή ακόμη και σε διαφορετικές θερμοκρασίες και επίπεδα υγρασίας. Χρησιμοποιούνται με καλά αποτελέσματα σε χώρους όπου αναπτύσσεται υγρασία, όπως κελάρια, γκαράζ ή εξοχικά. Είναι επίσης εξαιρετικοί για στέγνωμα μπουγάδας, σοφίτες, χώρους πισίνας και πλυντήρια. Είναι αποδοτικοί με χαμηλή κατανάλωση ενέργειας. Δεν φθείρουν τα ρούχα.

Η ποσότητα της υγρασίας που αφαιρεί ο αφυγραντήρας εξαρτάται από τη θερμοκρασία, το επίπεδο υγρασίας και τη θέση του. Οι εξωτερικές καιρικές συνθήκες μπορεί επίσης να επηρεάσουν την απόδοση του αφυγραντήρα. Σε κρύο καιρό η απόλυτη υγρασία μειώνεται και έτσι ελαττώνεται η απομάκρυνση της υγρασίας του αέρα από τον αφυγραντήρα. (Η σχετική υγρασία μπορεί να εξακολουθεί να βρίσκεται σε υψηλό επίπεδο.) Οι αφυγραντήρες της Wood's παρέχουν ασφαλή λειτουργία και προορίζονται για πολυετή χρήση.

Οι αφυγραντήρες της Wood's παρέχουν ασφαλή λειτουργία και προορίζονται για συνεχή χρήση για πολλά χρόνια.

ΥΠΕΡΒΟΛΙΚΗ ΑΤΜΟΣΦΑΙΡΙΚΗ ΥΓΡΑΣΙΑ – ΕΝΑΣ ΚΙΝΔΥΝΟΣ

Η συμπύκνωση συμβαίνει όταν ο ατμός του νερού στον αέρα έρχεται σε επαφή με μια ψυχρή επιφάνεια, όπως κρύο παράθυρο ή τοίχο. Όταν ψύχεται ατμός νερού, εμφανίζεται συμπύκνωση και σχηματίζονται σταγόνες νερού. Σε υψηλή υγρασία στον αέρα, ο αέρας μπορεί να γίνει μουχλιασμένος και μούχλα να σχηματιστεί, προκαλώντας ζημιά σε ένα σπίτι και την επίπλωσή του. Αυτό το περιβάλλον μπορεί να προκαλέσει ακόμη και ασθένεια για τους κατοίκους. Τα ακάρεα και οι αράχνες αναπτύσσονται επίσης σε ένα υγρό περιβάλλον. Ένας αφυγραντήρας με υψηλή απόδοση δημιουργεί ένα καλό, υγιές επίπεδο υγρασίας. Για μεγαλύτερη αποδοτικότητα, οι πόρτες και τα παράθυρα των δωματίων στα οποία λειτουργεί ο αφυγραντήρας θα πρέπει να διατηρούνται κλειστά. Αφαιρεί τις οσμές, στεγνώνει το ξύλο και αφαιρεί την υγρασία από εξοπλισμό δραστηριοτήτων σε εξωτερικό χώρο.

1. ΠΡΟΕΙΔΟΠΟΙΗΣΕΙΣ ΑΣΦΑΛΕΙΑΣ



Εύφλεκτο υλικό. Αυτή η συσκευή περιέχει R290/προπάνιο, ένα εύφλεκτο ψυκτικό μέσο.



Ανατρέξτε σε αυτό το εγχειρίδιο για πληροφορίες σχετικά με την ασφάλεια.



Διαβάστε το τεχνικό εγχειρίδιο



Διαβάστε το εγχειρίδιο χειριστών.

ΠΛΗΡΟΦΟΡΙΕΣ ΓΙΑ ΤΗΝ ΑΣΦΑΛΕΙΑ

Πριν από την εγκατάσταση και τη χρήση της συσκευής, διαβάστε προσεκτικά τις παρεχόμενες οδηγίες. Ο κατασκευαστής δεν ευθύνεται σε περίπτωση πρόκλησης τραυματισμού και ζημιών λόγω εσφαλμένης εγκατάστασης και χρήσης. Φυλάσσετε πάντα τις οδηγίες μαζί με τη συσκευή για μελλοντική παραπομπή.

Ασφάλεια για τα παιδιά και τα ευάλωτα άτομα

ΠΡΟΕΙΔΟΠΟΙΗΣΗ



Κίνδυνος τραυματισμού ή μόνιμης αναπηρίας.

Αυτή η συσκευή μπορεί να χρησιμοποιηθεί από παιδιά ηλικίας 8 ετών και άνω και άτομα με μειωμένη σωματική, αισθητηριακή ή διανοητική ικανότητα ή με έλλειψη εμπειρίας και γνώσης, υπό την επίβλεψη τρίτων ή εάν έχουν λάβει οδηγίες σχετικά με τη χρήση της συσκευής με ασφαλή τρόπο και έχουν κατανοήσει τους



κινδύνους που σχετίζονται με τη χρήση της. Μην αφήνετε τα παιδιά να παίζουν με τη συσκευή.

Τα παιδιά ηλικίας κάτω των 3 ετών θα πρέπει να παραμένουν σε απόσταση, εκτός εάν εποπτεύονται συνεχώς. Κρατήστε όλες τις συσκευασίες μακριά από τα παιδιά. Ο καθαρισμός και η συντήρηση δεν θα πρέπει να γίνεται από παιδιά χωρίς επίβλεψη.

Γενική ασφάλεια

Αυτή η συσκευή προορίζεται για χρήση σε οικιακές και παρόμοιες εφαρμογές, όπως: υπόγεια, κουζίνες προσωπικού σε καταστήματα, γραφεία και άλλα περιβάλλοντα εργασίας. Η πινακίδα των τεχνικών χαρακτηριστικών βρίσκεται στο πίσω μέρος του αφυγραντήρα. Διατηρήστε καθαρά τα ανοίγματα εξαερισμού και χωρίς παρεμπόδιση.

Μην χρησιμοποιείτε μηχανικές συσκευές ή άλλα μέσα για να επιταχύνετε τη διαδικασία απόψυξης, εκτός από αυτά που συνιστώνται από τον κατασκευαστή.

Η συσκευή δεν πρέπει να φυλάσσεται σε χώρους με πηγές ανάφλεξης σε λειτουργία (για παράδειγμα: ακάλυπτες φλόγες, συσκευές φυσικού αερίου σε λειτουργία ή ηλεκτρικές θερμάστρες σε λειτουργία). Μην τρυπήσετε ή κάψετε.

Να γνωρίζετε ότι τα ψυκτικά μέσα μπορεί να μην γίνουν αντιληπτά μέσω της οσμής. Μην χρησιμοποιείτε ψεκαστήρες νερού και ατμού για τον καθαρισμό της συσκευής. Καθαρίστε τη συσκευή με ένα υγρό μαλακό πανί. Χρησιμοποιείτε μόνο ουδέτερα απορρυπαντικά. Μην χρησιμοποιείτε λειαντικά προϊόντα, λειαντικά σφουγγαράκια καθαρισμού, διαλύτες ή μεταλλικά αντικείμενα.

Εάν το καλώδιο τροφοδοσίας έχει φθαρεί, πρέπει να αντικατασταθεί από τον κατασκευαστή, το εξουσιοδοτημένο κέντρο σέρβις του ή άτομα αναλόγως εξειδικευμένα, προκειμένου να αποφευχθεί οποιοσδήποτε κίνδυνος.

ΟΔΗΓΙΕΣ ΑΣΦΑΛΕΙΑΣ

Εγκατάσταση ΠΡΟΕΙΔΟΠΟΙΗΣΗ



Η εγκατάσταση της συσκευής πρέπει να γίνεται μόνο από εξειδικευμένα άτομα.

Αφαιρέστε όλες τις συσκευασίες. Μην εγκαθιστάτε ή χρησιμοποιείτε μια κατεστραμμένη συσκευή. Η συσκευή πρέπει να εγκαθίσταται, να λειτουργεί και να φυλάσσεται σε χώρους με εμβαδόν μεγαλύτερο από 2 m². Τηρείτε τις οδηγίες εγκατάστασης που παρέχονται με τη συσκευή.

Να είστε πάντα προσεκτικοί όταν μετακινείτε τη συσκευή επειδή είναι βαριά. Πάντα να φοράτε γάντια ασφαλείας.

Βεβαιωθείτε ότι ο αέρας μπορεί να κυκλοφορεί γύρω από τη συσκευή. Περιμένετε τουλάχιστον 4 ώρες πριν συνδέσετε τη συσκευή στην τροφοδοσία ρεύματος. Αυτό πρέπει να τηρηθεί ώστε να επιστρέψει το λάδι στον συμπιεστή. Μην εγκαθιστάτε τη συσκευή κοντά σε θερμαντικά σώματα ή άλλες πηγές θερμότητας. Μην εγκαθιστάτε τη συσκευή εκεί όπου υπάρχει άμεσο ηλιακό φως.

Ηλεκτρική σύνδεση ΠΡΟΕΙΔΟΠΟΙΗΣΗ



Κίνδυνος πυρκαγιάς και ηλεκτροπληξίας. Η συσκευή πρέπει να συνδέεται σε γειωμένη πρίζα.

Βεβαιωθείτε ότι τα ηλεκτρολογικά στοιχεία στην πινακίδα των τεχνικών χαρακτηριστικών ταιριάζουν με την τροφοδοσία ρεύματος. Αν όχι, επικοινωνήστε με έναν ηλεκτρολόγο. Να χρησιμοποιείτε πάντα μια σωστά εγκατεστημένη αντικραδασμική πρίζα.

Μην χρησιμοποιείτε πολύμπριζα και καλώδια επέκτασης ή μπαλαντέζες. Φροντίστε να μην προκαλέσετε βλάβη στα ηλεκτρικά εξαρτήματα (π.χ. βύσμα τροφοδοσίας, καλώδιο τροφοδοσίας). Επικοινωνήστε με το εξουσιοδοτημένο κέντρο σέρβις ή έναν ηλεκτρολόγο για να αλλάξετε τα ηλεκτρικά εξαρτήματα. Το καλώδιο τροφοδοσίας πρέπει να παραμείνει κάτω από το επίπεδο του βύσματος τροφοδοσίας. Συνδέστε το βύσμα τροφοδοσίας στην πρίζα τροφοδοσίας μόνο στο τέλος της εγκατάστασης. Βεβαιωθείτε ότι υπάρχει πρόσβαση στο βύσμα τροφοδοσίας μετά την εγκατάσταση. Μην τραβάτε το καλώδιο τροφοδοσίας για να αποσυνδέσετε τη συσκευή. Να τραβάτε πάντα το βύσμα.

Χρήση ΠΡΟΕΙΔΟΠΟΙΗΣΗ



Κίνδυνος τραυματισμού, εγκαυμάτων, ηλεκτροπληξίας ή πυρκαγιάς. Μην αλλάζετε την προδιαγραφή αυτής της συσκευής.

Προσέξτε να μην προκαλέσετε βλάβη στο κύκλωμα του ψυκτικού μέσου. Περιέχει προπάνιο (R290), ένα φυσικό αέριο με υψηλό επίπεδο περιβαλλοντικής συμβατότητας. Το αέριο αυτό είναι εύφλεκτο.

Εάν προκληθεί ζημιά στο κύκλωμα του ψυκτικού μέσου, βεβαιωθείτε ότι δεν υπάρχουν φλόγες και άλλες

πηγές ανάφλεξης στο χώρο. Αερίστε το χώρο.

Μην βάζετε εύφλεκτα προϊόντα ή αντικείμενα που έχουν βραχεί με εύφλεκτα προϊόντα, κοντά ή πάνω στη συσκευή.

Απόρριψη ΠΡΟΕΙΔΟΠΟΙΗΣΗ



Κίνδυνος τραυματισμού. Αποσυνδέστε τη συσκευή από την τροφοδοσία ρεύματος. Κόψτε το καλώδιο ρεύματος και απορρίψτε το.

Το κύκλωμα του ψυκτικού μέσου αυτής της συσκευής είναι φιλικό προς το όζον. Επικοινωνήστε με τη δημοτική αρχή για πληροφορίες σχετικά με τη σωστή απόρριψη της συσκευής. Μην προκαλείτε βλάβη στο τμήμα της ψυκτικής μονάδας που βρίσκεται κοντά στον εναλλάκτη θερμότητας.

ΡΥΘΜΙΣΤΕ ΤΟΝ ΑΦΥΓΡΑΝΤΗΡΑ ΓΙΑ ΤΗΝ ΕΓΚΑΤΑΣΤΑΣΗ

ΣΗΜΑΝΤΙΚΟ:

2. Εγκατάσταση

ΠΡΙΝ ΑΠΟ ΤΗΝ ΠΡΩΤΗ ΧΡΗΣΗ

Αφήστε το μηχάνημα σε όρθια θέση για 4 ώρες
πριν από τη χρήση
Επιλογή θέσης

Σημαντικό

1. Ο αφυγραντήρας πρέπει να λειτουργεί σε κλειστό χώρο για να είναι πιο αποτελεσματικός. Κλείστε όλες τις πόρτες, τα παράθυρα και άλλα ανοίγματα στο δωμάτιο. Η αποτελεσματικότητα του αφυγραντήρα εξαρτάται από τον ρυθμό με τον οποίο ο υγρός αέρας εισέρχεται στο δωμάτιο.
2. Τοποθετήστε τον αφυγραντήρα σε μια θέση που δεν περιορίζει τη ροή αέρα μέσα από το μπροστινό μέρος της μονάδας.
3. Ένας αφυγραντήρας που λειτουργεί σε ένα δωμάτιο θα έχει ελάχιστη ή καθόλου επίδραση στην αφύγρανση ενός γειτονικού κλειστού χώρου αποθήκευσης, όπως μια ντουλάπα, εκτός αν υπάρχει επαρκής κυκλοφορία του αέρα μέσα και έξω από την περιοχή. Μπορεί να είναι απαραίτητο να εγκαταστήσετε ένα δεύτερο αφυγραντήρα στην κλειστή περιοχή για ικανοποιητική αφύγρανση.
4. Βεβαιωθείτε ότι η μονάδα τοποθετείται σε σταθερή και επίπεδη επιφάνεια. Εάν η επιφάνεια δεν είναι σταθερή, υπάρχει κίνδυνος υπερβολικής δόνησης και διαρροής νερού.
5. Η μονάδα θα πρέπει να τοποθετείται σε απόσταση τουλάχιστον 30 εκατοστών από οποιοδήποτε αντικείμενο.

ΠΕΡΙΓΡΑΦΗ ΠΡΟΪΟΝΤΟΣ

3. Περιγραφή προϊόντος

A

1. Μπροστινό κέλυφος
2. Τροχίσκοι
3. Επάνω πάνελ

B

1. Φίλτρο
2. Στόμιο συνεχούς αποστράγγισης

C

1. Δοχείο νερού

D

1. Επάνω πάνελ

E

Πίνακας ελέγχου

1. Κουμπί τροφοδοσίας (POWER): Έναρξη ή διακοπή λειτουργίας της μονάδας
2. Κουμπί χρονοδιακόπτη (TIMER): Ρύθμιση χρονομέτρου, αίτηση χρονομέτρου και ακύρωση χρονομέτρου.
3. Κουμπί ταχύτητας (SPEED): Ο ανεμιστήρας θα λειτουργεί σε χαμηλή ή σε υψηλή ταχύτητα.
4. Κουμπί αύξησης (UP): Ρύθμιση της υγρασίας ή του χρόνου.
5. Κουμπί μείωσης (DOWN): Ρύθμιση της υγρασίας ή του χρόνου.
6. Κουμπί λειτουργίας (MODE): Fan (Ανεμιστήρας) --- Eco (Οικονομική λειτουργία) --- Dryer (Στέγνωμα) --- Auto (Αυτόματο) --- Dehumidification (Αφύγρανση)

F

1. Μπροστινό κέλυφος
2. Δεξί κέλυφος
3. Δοχείο νερού

G

1. Πίνακας ελέγχου
2. Φίλτρο
3. Στόμιο συνεχούς αποστράγγισης
4. Πίσω κέλυφος
5. Έξοδος αέρα
6. Αριστερό κέλυφος
7. Τροχίσκος

H

1. Το επάνω πάνελ πρέπει να έχει απόσταση από άλλα αντικείμενα τουλάχιστον 50 εκατοστά.
2. Η συσκευή πρέπει να έχει απόσταση τουλάχιστον 30 εκατοστά από τα περιβάλλοντα αντικείμενα ή τους τοίχους.

I

1. Χειροκίνητη αποστράγγιση
2. Συνεχής Αποστράγγιση

ΤΟΠΟΘΕΤΗΣΗ ΑΦΥΓΡΑΝΤΗΡΑ

- Ο αφυγραντήρας δεν πρέπει να τοποθετείται κοντά σε θερμαντικά σώματα ή άλλες πηγές θερμότητας ή να εκτίθεται στο άμεσο ηλιακό φως, καθώς έτσι μειώνεται η απόδοσή του.
- Το ιδανικό είναι να τοποθετηθεί στο κέντρο του δωματίου/χώρου.



ΣΗΜΕΙΩΣΗ: Όταν τοποθετείται σε χώρο ντους ή λουτρού, ο αφυγραντήρας πρέπει να στερεώνεται σε σταθερή θέση. Είναι υποχρεωτικό να ελέγχετε και να σέβεστε τους τοπικούς κανονισμούς ηλεκτρισμού για χώρους λουτρών πριν από τη χρήση.

ΧΡΗΣΗ ΤΟΥ ΑΦΥΓΡΑΝΤΗΡΑ

Εάν ο αφυγραντήρας μεταφέρεται οριζοντίως, αφήστε τον σε όρθια θέση για 4 ώρες πριν τον χρησιμοποιήσετε. Είναι πολύ σημαντικό το λάδι να επιστρέψει πίσω στο συμπιεστή, διαφορετικά ο αφυγραντήρας μπορεί να υποστεί σοβαρή ζημιά.

1. Ελέγξτε ότι το δοχείο νερού είναι σωστά τοποθετημένο.
2. Συνδέστε τον αφυγραντήρα σε γειωμένη παροχή ρεύματος.
3. Ρυθμίστε τη λειτουργία ή το επιθυμητό επίπεδο υγρασίας. Ανατρέξτε στην ενότητα για τον έλεγχο υγρασίας.

ΕΓΧΕΙΡΙΔΙΟ ΛΕΙΤΟΥΡΓΙΑΣ

1. Κουμπί τροφοδοσίας: Αυτό το κουμπί ενεργοποιεί και απενεργοποιεί τη συσκευή.
2. Κουμπί λειτουργίας: Πατήστε για να επιλέξετε τη λειτουργία που θέλετε. Μπορείτε να επιλέξετε κανονική αφύγρανση (Normal), οικονομική αφύγρανση (Eco), αυτόματη αφύγρανση (Auto), λειτουργία εξαερισμού (Ventilation) και στέγνωμα ρούχων (Dry).

ΛΕΙΤΟΥΡΓΙΑ ECO

Όταν η μονάδα λειτουργεί σε ECO MODE, το προεπιλεγμένο επίπεδο υγρασίας είναι RH60%.

- α) Όταν η υγρασία του περιβάλλοντος είναι μεγαλύτερη από 60%, η μονάδα θα λειτουργεί ως αφυγραντήρας, αλλά η ταχύτητα του ανεμιστήρα δεν επιδέχεται ρύθμιση.
- β) Όταν η υγρασία του περιβάλλοντος είναι μικρότερη από 60%, η μονάδα θα λειτουργεί ως ανεμιστήρας, αλλά η ταχύτητα του ανεμιστήρα δεν επιδέχεται ρύθμιση.
- γ) Το επίπεδο υγρασίας δεν είναι ρυθμιζόμενο.

ΛΕΙΤΟΥΡΓΙΑ ΑΝΕΜΙΣΤΗΡΑ (FAN)

Σ' αυτήν τη λειτουργία, ο συμπιεστής δεν λειτουργεί, ο ανεμιστήρας λειτουργεί εξ ορισμού σε χαμηλή ταχύτητα μόνο για εξαερισμό, η ταχύτητα ανεμιστήρα είναι ρυθμιζόμενη, το επίπεδο υγρασίας δεν μπορεί να ρυθμιστεί, το επίπεδο υγρασίας περιβάλλοντος (30-90% RH) θα εμφανίζεται στην οθόνη.

ΛΕΙΤΟΥΡΓΙΑ ΣΤΕΓΝΩΜΑΤΟΣ (DRY)

Σ' αυτήν τη λειτουργία, ο συμπιεστής θα λειτουργεί συνεχώς και ο ανεμιστήρας λειτουργεί με υψηλή ταχύτητα, ανεξάρτητα από την υγρασία του δωματίου. Εφαρμόζεται λειτουργία προστασίας του συμπιεστή με καθυστέρηση τριών λεπτών, η ταχύτητα του ανεμιστήρα και το επίπεδο υγρασίας δεν μπορούν να ρυθμιστούν, το επίπεδο υγρασίας περιβάλλοντος (30-90% RH) θα εμφανίζεται στην οθόνη.

ΑΥΤΟΜΑΤΗ ΛΕΙΤΟΥΡΓΙΑ (AUTO)

Όταν η μονάδα λειτουργεί σε AUTO MODE, το προεπιλεγμένο επίπεδο υγρασίας είναι RH50%.

- α) Όταν η υγρασία του περιβάλλοντος είναι μεγαλύτερη από 70%, η μονάδα θα λειτουργεί ως ισχυρός αφυγραντήρας, αλλά η ταχύτητα του ανεμιστήρα δεν επιδέχεται ρύθμιση.
- β) Όταν η υγρασία του περιβάλλοντος είναι μεγαλύτερη από 70%, η μονάδα θα λειτουργεί ως ασθενής αφυγραντήρας, αλλά η ταχύτητα του ανεμιστήρα δεν επιδέχεται ρύθμιση.

- γ) Όταν η υγρασία του περιβάλλοντος είναι μικρότερη από 50%, η μονάδα θα λειτουργεί ως ανεμιστήρας σε χαμηλή ταχύτητα, αλλά η ταχύτητα του ανεμιστήρα δεν επιδέχεται ρύθμιση.
- δ) Το επίπεδο υγρασίας περιβάλλοντος (30-90% RH) θα εμφανίζεται στην οθόνη και η υγρασία δεν είναι ρυθμιζόμενη.

ΛΕΙΤΟΥΡΓΙΑ ΑΦΥΓΡΑΝΣΗΣ

Η μονάδα θα λειτουργεί σε κατάσταση αφύγρανσης όταν ενεργοποιηθεί για πρώτη φορά ή επιλεγθεί αυτή η κατάσταση λειτουργίας, η ταχύτητα του ανεμιστήρα είναι εξ ορισμού υψηλή - μπορείτε να πατήσετε τα κουμπιά UP και DOWN για να ρυθμίσετε την υγρασία (35-85%).

3. Ρυθμίσεις υγρασίας: Μόνο σε κανονική λειτουργία, η υγρασία μπορεί να ρυθμιστεί μεταξύ 35%-85% (συντελεστής προσαρμογής 5%) - η ρύθμιση της υγρασίας είναι εφικτή μόνο στη λειτουργία αφύγρανσης.
4. Χρονοδιακόπτης: Μπορείτε να ορίσετε τον χρόνο εκτέλεσης της μονάδας ή τότε θα ξεκινήσει. Μπορείτε να επιλέξετε από 1 έως 24 ώρες.
5. Ταχύτητα ανεμιστήρα: Το πλήκτρο ταχύτητας μπορεί να χρησιμοποιηθεί μόνο στη λειτουργία αφύγρανσης και στη λειτουργία εξαερισμού.
6. Κλειδωμα για παιδιά: Πατήστε ταυτόχρονα τα πλήκτρα "Timer" και "Speed" για να ενεργοποιήσετε ή απενεργοποιήσετε τη λειτουργία κλειδώματος για παιδιά.

ΑΠΟΣΤΡΑΓΓΙΣΗ

Όταν το δοχείο νερού είναι πλήρες, ο αφυγραντήρας απενεργοποιείται αυτόματα.

1. Αποσυνδέστε τον αφυγραντήρα από την παροχή ρεύματος.
2. Αδειάστε το δοχείο νερού.
3. Επιστρέψτε στη θέση του το άδαιο δοχείο νερού και ελέγξε ότι ο πλωτήρας κινείται ελεύθερα.
4. Συνδέστε τον αφυγραντήρα στην παροχή ρεύματος.

Άμεση αποστράγγιση

Συνδέστε ένα εύκαμπτο σωλήνα νερού στον σωλήνα στο πίσω μέρος του αφυγραντήρα. Οδηγήστε το άλλο άκρο σε αποχέτευση. Βεβαιωθείτε ότι το νερό αδειάζει προς τα κάτω λόγω βαρύτητας.

ΦΙΛΤΡΟ ΑΕΡΑ

Το φίλτρο αέρα αποτρέπει την είσοδο της σκόνης και ακαθαρσιών στη συσκευή, παρατείνοντας το προσδόκιμο ζωής της. Είναι σημαντικό το φίλτρο καθαρίζεται τακτικά.

Καθαρισμός φίλτρου:

1. Αφαιρέστε το φίλτρο.
2. Πλύνετε το φίλτρο με ζεστό νερό και ένα ήπιο καθαριστικό. Εναλλακτικά, μπορείτε να καθαρίσετε το φίλτρο με ηλεκτρική σκούπα.
3. Αφήστε το φίλτρο να στεγνώσει και τοποθετήστε το ξανά στη θέση του.

ΛΕΙΤΟΥΡΓΙΑ ΑΠΟΨΥΞΗΣ

Ο εξατμιστής στον αφυγραντήρα μπορεί να κάνει αυτόματη απόψυξη αν λειτουργεί σε θερμοκρασία δωματίου μικρότερη από 18°C. Η συσκευή απόψυξης μπορεί να ξεκινά αυτόματα και να λειτουργεί για κάποιο χρονικό διάστημα (περίπου 8 λεπτά) κάθε 40 λεπτά ή ακόμη και περισσότερο.

Μην απενεργοποιείτε τον διακόπτη ή τραβάτε το βύσμα τροφοδοσίας του αφυγραντήρα κατά τη διάρκεια της λειτουργίας απόψυξης.

Αυτός ο αφυγραντήρας δεν διαθέτει λειτουργία ψύξης. Θα παράγει θερμότητα κατά τη διάρκεια της λειτουργίας και μπορεί να αυξήσει τη θερμοκρασία του δωματίου σε 1 έως 4°C.

ΣΥΝΤΗΡΗΣΗ

- Καθαρίζετε τη μονάδα με ένα μαλακό υγρό πανί. Μην χρησιμοποιείτε διαλύτες ή ισχυρά καθαριστικά, καθώς αυτές οι ουσίες μπορούν να βλάψουν την επιφάνεια της μονάδας.

ΣΕΡΒΙΣ

Εάν ο αφυγραντήρας χρήζει σέρβις, πρέπει πρώτα να επικοινωνήσετε με τον πωλητή.

ΕΓΓΥΗΣΕΙΣ

2 έτη εγγύηση προϊόντος. Σημειώστε ότι η εγγύηση ισχύει μόνο με την επίδειξη της απόδειξης αγοράς.

ΑΠΟΘΗΚΕΥΣΗ

Πριν αποθηκεύσετε τη μονάδα, ακολουθήστε τα εξής βήματα:

1. Βεβαιωθείτε ότι το δοχείο νερού είναι άδειο. Όταν η μονάδα είναι ενεργοποιημένη, βεβαιωθείτε ότι έχει επιλεγεί η λειτουργία εξερισμού και ότι η μονάδα λειτουργεί έτσι για τουλάχιστον 30 λεπτά, ώστε να αφαιρεθεί το νερό που υπάρχει μέσα στη μονάδα.
2. Μαζέψτε το καλώδιο τροφοδοσίας.
3. Καθαρίστε το φίλτρο.
4. Φυλάξτε σε καθαρό, ξηρό περιβάλλον.

ΥΠΟΔΕΙΞΕΙΣ

Όταν ο αφυγραντήρας χρησιμοποιείται σε εξαιρετικά υγρά περιβάλλοντα ή όταν η θερμοκρασία είναι κάτω από τους +5°C, διακόπεται η λειτουργία του. Μια μεγάλη ποσότητα πάγου συσσωρεύεται στο πηνίο ψύξης. Απενεργοποιήστε τον αφυγραντήρα και τοποθετήστε τον λίγο πάνω από το επίπεδο του δαπέδου για ο πάγος να λιώσει και να απομακρυνθεί από τη συσκευή.

Μερικές φορές μπορεί να είναι χρήσιμο να χρησιμοποιήσετε ένα αερόθερμο για να βεβαιωθείτε ότι η θερμοκρασία δεν πέφτει κάτω από τους +10°C. Ακόμα κι αν το MDX14 λειτουργεί σε χαμηλές θερμοκρασίες, όπως +5°C, η ικανότητά του θα αυξάνεται σε υψηλότερες θερμοκρασίες, καθώς ο ζεστός αέρας μεταφέρει περισσότερο νερό.

Ο υδροστάτης έχει περιθώριο σφάλματος περίπου +/- 5-10%. Στα χαμηλότερες θερμοκρασίες, το περιθώριο σφάλματος μπορεί να αυξηθεί περαιτέρω.

Πρέπει να αναμένετε υψηλότερη ικανότητα αφύγρανσης κατά τη διάρκεια του φθινοπώρου και του καλοκαιριού, επειδή ο εξωτερικός αέρας είναι θερμότερος και πιο υγρός.

ΣΗΜΑΝΤΙΚΟ! - Οι αφυγραντήρες Wood's πρέπει να συνδέονται με γειωμένη παροχή ενέργειας. Η παροχή ενέργειας πρέπει να είναι 220V-240V 50Hz

ΠΡΟΒΛΗΜΑ	ΛΥΣΗ
Ο αφυγραντήρας δεν αρχίζει να λειτουργεί	<ul style="list-style-type: none"> - Ελέγξτε ότι ο αφυγραντήρας είναι συνδεδεμένος με την παροχή ρεύματος και ότι η ασφάλεια δεν έχει χαλάσει - Αν η προειδοποιητική λυχνία είναι αναμμένη, ελέγξτε ότι το δοχείο νερού είναι κενό και έχει τοποθετηθεί σωστά στον αφυγραντήρα. - Ελέγξτε ότι ο πλωτήρας κινείται ελεύθερα
Δεν γίνεται αφύγρανση	<ul style="list-style-type: none"> - Ελέγξτε ότι ο ανεμιστήρας περιστρέφεται - Ελέγξτε ότι ο αέρας μπορεί να ρέει ελεύθερα μέσα από τον αφυγραντήρα. Το επάνω πλέγμα και το φίλτρο αέρα θα πρέπει να είναι καθαρά και ο αφυγραντήρας θα πρέπει να βρίσκεται σε απόσταση 30 εκατοστών από τους τοίχους. - Προσπαθήστε να ακούσετε τον ήχο του συμπιεστή, αλλά θα πρέπει να γνωρίζετε ότι ο αφυγραντήρας μπορεί να σταματήσει όταν η υγρασία του περιβάλλοντος γίνει ίση με την υγρασία που έχει ρυθμιστεί. - Ελέγξτε ότι δεν έχει σχηματιστεί παχιά επίστρωση πάγου στα πηνία ψύξης.
Υψηλό επίπεδο θορύβου	<ul style="list-style-type: none"> - Αυξήστε την απόσταση μεταξύ του αφυγραντήρα και των περιβαλλόντων επιφανειών - Τα πηνία ψύξης μπορεί να έρχονται σε επαφή μεταξύ τους και να προκαλείται δόνηση. Αποσυνδέστε τον αφυγραντήρα από το ρεύμα και διαχωρίστε τα πηνία.
Δεν απενεργοποιείται όταν το δοχείο είναι γεμάτο	<ul style="list-style-type: none"> - Είναι σημαντικό ο πλωτήρας να κινείται ελεύθερα μέσα στο δοχείο νερού. Σε αντίθετη περίπτωση, δεν θα ανταποκρίνεται στην αλλαγή της στάθμης του νερού και δεν θα μπορεί να εμποδίσει τη διακοπή λειτουργίας του αφυγραντήρα
Δεν εισέρχεται νερό στο δοχείο	<ul style="list-style-type: none"> - Ελέγξτε αν υπάρχουν αντικείμενα που εμποδίζουν τον δίσκο αποστράγγισης πάνω από το δοχείο νερού
FL	<ul style="list-style-type: none"> - Το δοχείο νερού είναι γεμάτο. Αδειάστε το δοχείο νερού και τοποθετήστε το ξανά στη θέση του.
E1	<ul style="list-style-type: none"> - Βλάβη αισθητήρα θερμοκρασίας-υγρασίας. Αντικαταστήστε τον αισθητήρα θερμοκρασίας-υγρασίας.

Εάν το πρόβλημα δεν λύνεται με τις παραπάνω προτάσεις, επικοινωνήστε με τον πλησιέστερο έμπορο για έλεγχο και πιθανή επισκευή του αφυγραντήρα.

ΤΕΧΝΙΚΑ ΔΕΔΟΜΕΝΑ

	MDX14
Μέγιστη επιφάνεια εργασίας	40 m ²
Βήμα ροής αέρα 1	100 m ³ /h
Βήμα ροής αέρα 2	120 m ³ /h
Αφύγρανση στους 20°C και 70% r.h.	6,0 l / 24 ώρες
Αφύγρανση στους 30°C και 80% r.h.	10 l / 24 ώρες
Ισχύς στους 20°C και 70% r.h.	180 W
Κατανάλωση ισχύος στους 20°C και 70% r.h.	4,3 kWh/24 ώρες
Όγκος δοχείου	1,5 λίτρα
Ψυκτικό μέσο	R290
Φόρτιση R290	40 g
Τάση	220-240 V
Συχνότητα	50 Hz
Ρεύμα	1 A
Κωδικός IP	IPX2
Επίπεδο θορύβου σε ντεσιμπέλ	43 dB
Βάρος	9,1 kg
Διαστάσεις σε χιλιοστά, Μ x Π x Υ	293x183x493

*Μπορεί να προκύψουν τεχνικές αλλαγές και βελτιώσεις. Όλες οι τιμές είναι κατά προσέγγιση και μπορεί να διαφέρουν λόγω εξωτερικών συνθηκών, όπως η θερμοκρασία, ο εξαερισμός και η υγρασία.



ΣΗΜΕΙΩΣΗ!

Εγγραφείτε στον ιστότοπο www.warranty-woods.com και διαβάστε σχετικά με το πώς μπορείτε να αποκτήσετε την εκτεταμένη εγγύηση. Επισκεφτείτε την ηλεκτρονική διεύθυνση www.woods.se για περισσότερες πληροφορίες.

Συνιστώμενα όρια χρήσης

Θερμοκρασία +5°C έως +35°C
 Σχετική υγρασία: 30% έως 90%
 Συνιστώμενο επίπεδο υγρασίας:
 περίπου 50% RH

Εγγυήσεις

2 χρόνια εγγύηση καταναλωτών κατά των βλαβών από την παραγωγή. Σημειώστε ότι η εγγύηση ισχύει μόνο με την επίδειξη της απόδειξης αγοράς. Η εγγύηση ισχύει μόνο εάν το προϊόν χρησιμοποιείται σύμφωνα με τις οδηγίες και τις προειδοποιήσεις ασφαλείας που αναφέρονται ρητά στο παρόν εγχειρίδιο. Η εγγύηση δεν καλύπτει ζημιές που προκαλούνται από ακατάλληλο χειρισμό του προϊόντος.

ΣΗΜΕΙΩΣΗ: Η εγγύηση 2 ετών ισχύει μόνο για οικιακή και όχι για επαγγελματική χρήση της μονάδας.

WOOD RAKEYÐAR ERU LEIÐANDI Í HEIMINUM

Rakaeyðar frá Wood hafa verið leiðandi á markaðnum í mörg ár. Rakaeyðarnir henta til notkunar í kröfuhörðum aðstæðum þar sem afkastagetan er góð jafnvel við mismunandi hita- og rakastig. Þá er hægt að nota með góðum árangri á stöðum þar sem gjarnan er raki s.s. í kjöllum, bílskúrum eða sumarbústöðum. Þær henta einnig mjög velt til að þurrka þvott, háaloft, sundlaugasali o.fl. Skilvirkni og sparneytni. Þeir slíta ekki fötum.

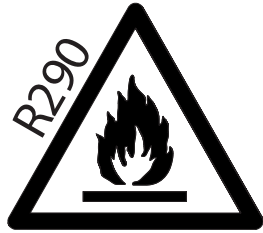
Það magn raka sem rakaeyðirinn fjarlægir fer eftir hitastigi, rakastigi og staðsetningu tækisins. Ytri veðurskilyrði geta einnig haft áhrif á afköst rakaeyðisins. Í köldu veðri lækkar algildisraki og þess vegna minnka afköst þurrktækisins. (Rakastig gæti samt verið hátt.) Rakeyðarnir frá Wood eru öruggir í notkun og eru ætlaðir til notkunar árum saman.

Rakeyðarnir frá Wood eru öruggir í notkun og eru ætlaðir til stöðugrar notkunar árum saman.

MJÖG HÁTT RAKASTIG – HÆTTA

Þétting verður þegar vatnsgufa í lofti kemst í snertingu við kalt yfirborð s.s. kaldan glugga eða vegg. Þegar vatnsgufa kólnar verður þétting og vatnsdropar myndast. Í lofti þar sem rakastig ef mjög hátt getur orðið fúkki og myglumyndun sem getur valdið skemmdum á húsnæði og húsgögnum. Þannig umhverfi getur valdið veikindum hjá íbúum. Maurar og köngulær þrífast einnig betur í röku umhverfi. Afkastamikið rakatæki skapar gott, heilsusamlegt rakastig. Til þess að afköst séu sem mest ættu gluggar og hurðir í herbergjum þar sem rakaeyðir er notaður að vera lokaðar. Eyðir lykt, þurrkar við og eyðir raka úr útivistarúnaði.

1. ÖRYGGISVIÐVARANIR



Eldfim efni. Þetta tæki inniheldur R290/própan sem er eldfimt kæliefni.



Vísað er í þessa handbók varðandi öryggisupplýsingar.



Lesið tæknihandbók



Lesið notkunarhandbók.

ÖRYGGISUPPLÝSINGAR

Áður en þú setur upp tækið og byrjar að nota það skaltu lesa meðfylgjandi leiðbeiningar vandlega. Framleiðandi er ekki ábyrgur ef röng uppsetning og notkun valda meiðslum og tjóni. Geymdu leiðbeiningarnar með tækinu til að geta skoðað þær.

Öryggi barna og viðkvæmra

VIÐVÖRUN 
Hætta á meiðslum eða varanlegri fötlun.

Börn 8 ára og eldri og einstaklingar með skerta líkamlega getu, skynjun eða andlega getu, eða skort á reynslu og þekkingu geta notað þetta tæki undir eftirliti eða eftir að hafa fengið leiðbeiningar varðandi notkun tækisins á öruggan hátt og ef þau gera sér grein fyrir þeirri áhættu sem því fylgir.

Leyfið ekki börnum að leika sér með tækið.

Börnum yngri en 3 ára skal haldið frá tækinu nema undir stöðugu eftirliti.

Geymið allar umbúðir fjarri börnum.

Börn skulu ekki annast hreinsun og viðhald án umsjónar.

Almennt öryggi

Þetta tæki er ætlað til nota á heimilum og álíka stöðum svo sem: kjöllum, skúmaskotum, starfsmannaeldhúsum í búðum, skrifstofum og öðrum vinnusvæðum. Flokkunarplatan er staðsett aftan á eða á hlið rakaeyðisins.

Haldið aðskotahlutum fjarri loftopum.

Notið ekki vélbúnað eða aðrar aðferðir til að hraða afþingingu en þær sem framleiðandi mælir með. Ekki skal geyma tækið í herbergi þar sem neistagjafir eru í gangi (opnir logar, gastæki eða rafmagnshitarar). Gatið ekki eða brennið.

Hafið í huga að kæliefni geta verið lyktarlaus. Notið ekki vatnsúða eða gufu til að hreinsa tækið. Hreinsið tækið með rökum mjúkum klút. Notið aðeins hlutlaus hreinsiefni. Notið ekki slípivörur, slípiefnasvampa, leysiefni eða málmhluti.

Ef rafmagnssnúran er skemmd þarf að skipta um hana hjá framleiðanda, viðurkenndum viðgerðaraðila eða sambærilegum aðila til að forðast að hættulegar aðstæður skapist.

ÖRYGGISLEIÐBEININGAR**Uppsetning
VIÐVÖRUN**

Aðeins hæfur aðili skal annast uppsetningu tækisins. Fjarlægjið allar umbúðir. Setjið ekki upp eða notið skemmt tæki. Tækið skal ekki setja upp, nota og geyma í herbergi sem er með stærrri gólfplöt en 2 m². Fylgja skal þeim leiðbeiningum um uppsetningu sem fylgja tækinu. Sýnið ávallt aðgát þegar tækið er fært því það er þungt. Klæðist ávallt öryggishönskum.

Gangið úr skugga um að loft leiki óhindrað umhverfis tækið. Bíðið í að minnsta kosti 4 klukkustundir áður en tækið er tengt við rafmagn. Þetta er til að leyfa olíunni að renna til baka í pressuna. Setjið ekki tækið nálægt ofnum eða öðrum hitagjöfum. Staðsetjið ekki tækið í beint sólskin.

**Rafmagnstenging
VIÐVÖRUN**

Hætta á bruna og raflosti. Tækið skal tengja við jarðtengda innstungu. Gangið úr skugga um að rafmagnsupplýsingarnar á flokkunarmerkinu séu í samræmi við orkugjafann. Ef ekki, skal hafa samband við rafvirkja. Notið ávallt rétt uppsetta höggþetta innstungu. Notið ekki fjöltengi og framlengingarsnúur. Gætið þess að valda ekki skemmdum á rafihlutum (t.d. tengjum, snúrum).

Hafið samband við viðurkennda þjónustumiðstöð eða rafvirkja til að skipta um rafihluti. Snúran verður að vera fyrir neðan innstunguna/klóna. Tengjið ekki klóna við innstunguna fyrr en uppsetningu er lokið. Gangið úr skugga um að hægt sé að komast að klónni eftir uppsetningu. Dragið ekki í rafmagnssnúruna til að aftengja tækið. Togið alltaf í klóna sjálfa.

Notkun**VIÐVÖRUN**

Hætta á meiðslum, bruna, raflosti eða eldsvoða. Breytið ekki eiginleikum tækisins. Gætið þess að valda ekki skemmdum á kælihringrásinni. Hún inniheldur própan (R290), náttúrulegt gas með háa umhverfissamhæfni. Þetta gas er eldfimt.

Ef skemmdir eiga sér stað í kælihringrásinni skal ganga úr skugga um að engir logar eða og neistagjafar séu í herberginu. Loftræstið herbergið. Setjið ekki eldfimar vörur eða vörur sem eru bleyttar með eldfimum efnum nálægt tækinu eða ofan á það.

Förgun**VIÐVÖRUN**

Hætta á meiðslum. Takið tækið úr sambandi. Klippið rafmagnssnúruna af og fleygið henni.

Kælihringrásin í þessu tæki er ósónvæn. Hafið samband við viðkomandi aðila í þínu landi til að fá upplýsingar um hvernig þú fargar tækinu á réttan hátt. Valdið ekki skemmdum á þeim hluta kælieiningarinnar sem er nálægt hitabreytinum.

STAÐSETNING RAKAEYÐIS VIÐ UPPSETNINGU

MIKILVÆGT:

2. Uppsetning

FYRIR FYRSTU NOTKUN

Látið tækið standa í 4 klst fyrir notkun

Val á staðsetningu

Mikilvægt

1. Rakaeyðinn skal nota í lokuðu rými til þess að afköstin verði sem best. Lokið öllum hurðum, gluggum og öðrum utanaðkomandi loftopum herbergisins. Afköst rakaeyðisins velta á þeim hraða sem rakt loft kemur inn í herbergið.

2. Staðsetjið rakaeyðinn þannig að loftflæði sé óhindrað inn um framhlið tækisins.

3. Rakaeyðir sem starfar í herbergi mun hafa lítil sem engin áhrif í þurrkun aðliggjandi lokaðra geymslurýma, svo sem skápa, nema það sé nægjanlegt loftflæði inn og út úr rýminu. Það getur verið nauðsynlegt að setja upp annað lofthreinsitæki í lokaða rýminu fyrir viðunandi þurrkun.

4. Gangið úr skugga um að tækið sé staðsett á stöðugu og sléttu yfirborði. Ef yfirborðið er ekki stöðugt er hætta á miklum titringi og vatnsleka.

5. Það á að vera að lágmarki 30 cm autt svæði umhverfis tækið.

VÖRULÝSING

3. Vörulýsing

A

1. Framhluti
2. Hjól
3. Topp hluti

B

1. Sía
2. Úttak fyrir stöðuga tæmingu

C

1. Vatnsgeymir

D

1. Topp hluti

E

Stjórnborð

1. POWER-hnappur: Ræsa eða stöðva tækið
2. TIMER-hnappur: Stillið upphafstíma og stöðvunartíma.
3. SPEED-hnappur: Viftan snýst á litlum eða miklum hraða.
4. UP-hnappur: Stilla rakastig eða tímasetningu.
5. DOWN-hnappur: Stilla rakastig eða tímasetningu.
6. MODE-hnappur: Vifta---Sparnaður---Purrkari---Sjálfvirkni---Rakaeyðing

F

1. Framhluti
2. Hægri hlið
3. Vatnsgeymir

G

1. Stjórnborð
2. Sía
3. Úttak fyrir stöðuga tæmingu
4. Bakhluti
5. Loftúttak
6. Vinstri hlið
7. Hjól

H

1. Hafð topphlutann að minnsta kosti 50 cm fyrir neðan aðliggjandi hluti.
2. Hafð yfir 30cm fjarlægð milli tækisins og aðliggjandi hluta eða veggja.

I

1. Handvirkt afrennsli
2. Stöðug tæming

STAÐSETNING RAKAEYÐISINS

- Rakatækinu ætti ekki að koma fyrir nálægt ofnum eða öðrum hitagjöfum eða undir beinu sólarljósi þar sem slíkt getur haft áhrif á afköst þess.
- Best er að staðsetja það í miðju herbergis/ rýmis.



ATH: Þegar honum er komið fyrir í sturtu- eða baðaðstöðu ætti rakaeyðirinn að vera festur. Það er skylda að athuga og virða staðbundnar reglugerðir um raftengingar á baðherbergjum áður en tækið er notað.

NOTKUN RAKAEYÐISINS

Ef rakaeyðirinn er fluttur láréttur skal láta hann standa í 4 klukkustundir áður en hann er tekinn í notkun. Það er mjög mikilvægt að olían fái að renna til baka í pressuna því annars gæti rakaeyðirinn skemmt alvarlega.

1. Athugið hvort að vatnsgeymirinn sé rétt ísettur.
2. Tengid rakaeyðinn við jarðtengda innstungu.
3. Stillið aðgerð eða æskilegt rakastig. Sjá kaflann um rakastýringu.

NOTKUNARHANDBÓK

1. Aðalhnappur: Þessi hnappur kveikir og slekkur á tækinu.
2. Stillingahnappur: Ýtið á til að velja viðeigandi stillingu. Það getur skipt yfir í venjulega rakaeyðingu, sparnaðar-rakaeyðingu, sjálfvirka rakaeyðingu, loftræstingu og fataþurrkun.

SPARNAÐARSTILLING

Þegar tækið er í ECO MODE er sjálfgefna rakastigið RH60%.

- a) Þegar umhverfisraki er $\geq 60\%$ virkar tækið sem rakaeyðir og viftuhraði er ekki stillanlegur.
- b) Þegar umhverfisraki er $< 60\%$ vinnur tækið sem vifta og viftuhraði er ekki stillanlegur.
- c) Rakastigið er ekki stillanlegt.

VIFTUSTILLING

Í þessari stillingu vinnur pressan ekki, viftan snýst aðeins á litlum hraða með sjálfgefni stillingu aðeins fyrir loftræstingu, viftuhraði er stillanlegur, ekki er hægt að stilla rakastig og rakastig umhverfisins (30-90% RH) er sýnt á skjánum.

ÞURRKSTILLING

Í þessari stillingu vinnur pressan stöðugt og viftan snýst á miklum hraða óháð rakastigi herbergisins. Þriggja mínútna seinkun til verndunar pressu er virk, ekki er hægt að stilla rakastig eða viftuhraða og rakastig umhverfisins (30-90% RH) er sýnt á skjánum.

SJÁLFVIRK STILLING

Í þessari stillingu er sjálfgefna rakastigið RH50%

- a) Þegar umhverfisraki er $\geq 70\%$, vinna pressan og viftan með hámarks rakaeyðingar-afköstum. Í þessari stillingu er viftuhraði ekki stillanlegur.
- b) Þegar rakastig er á milli 50-70% vinnur tækið með minni rakaeyðingar-afköstum. Í þessari stillingu er viftuhraði ekki stillanlegur.
- c) Þegar umhverfisraki er $< 50\%$ vinnur tækið sem vifta á litlum hraða og viftuhraði er ekki stillanlegur.
- d) Rakastigið (30-90%RH) er sýnt á skjánum og rakastig er ekki stillanlegt.

RAKAEYÐINGARSTILLING

Tækið vinnur í rakaeyðingarstillingu þegar kveikt er á því í fyrsta skipti eða þegar sú stilling er valin. Sjálfgefni hraði viftu er há. Ýtið á UP og DOWN til að stilla rakastig (35-85%).

3. Rakastig er hægt að stilla á bilinu 35%-85% (5% stillistuðull). Rakastilling gildir aðeins í rakaeyðingarstillingu.
4. Tímastillir: Hægt er að stilla hversu lengi tækið er í gangi eða hvenær það fer í gang. Hægt er að velja 1-24 klst.
5. Viftuhraði: Hraðastilling virkar aðeins í rakaeyðingar- og loftræstistillingu.
6. Barnalæsing: Ýtið á bæði "Timer" og "Speed" til að virkja eða slökva á barnalæsing.

VATNSTÆMING

Þegar vatnsgeyminn er fullur slekkur rakaeyðirinn sjálfkrafa á sér.

1. Tækið rakaeyðinn úr sambandi.
2. Tæmið vatnsgeyminn.
3. Setjið tóma vatnsgeyminn til baka og gætið að því að flotið hreyfist óhindrað.
4. Setjið rakaeyðinn í samband.

Bein vatnstæming

Tengið vatnsslöngu við rörið aftan á rakaeyðinum. Setjið hinn endann í niðurfall. Gangið úr skugga um að vatnið geti runnið niður.

LOFTSÍA

Loftsían kemur í veg fyrir að ryk og óhreinindi fari inn í tækið og eykur þannig endingartíma þess. Mikilvægt er að sían sé hreinsuð reglulega.

Hreinsun á síu:

1. Fjarlægjið síuna.
2. Skolið hana með heitu vatni og mildu hreinsiefni. Einnig er hægt að ryksuga síuna.
3. Látið síuna þorna og setjið hana aftur á sinn stað.

AFÞÍÐING

Eimirinn í rakaeyðinum getur þitt sjálfkrafa ef hann er notaður í herbergishita undir 18 °C. Afþíðingarbúnaðurinn getur farið í gang og unnið í nokkurn tíma (um 8 mínútur) sjálfkrafa á 40 mínútna fresti eða jafnvel lengur.

Slökkvið ekki á rakaeyðinum eða takið hann úr sambandi á meðan afþíðing er í gangi.

Þessi rakaeyðir er ekki með kælivirkni. Hann gefur frá sér hita við notkun og getur aukið hitastigið í herberginu um 1 til 4°C.

VIÐHALD

- Hreinsið tækið með mjúkum rökum klút. Forðist að nota leysiefni eða sterk hreinsiefni þar sem það getur skemmt yfirborð tækisins.

ÞJÓNUSTA

Ef rakaeyðirinn krefst viðhalds skal fyrst að hafa samband við söluaðila.

ÁBYRGÐIR

2 ára framleiðsluábyrgð. Vinsamlegast athugið að ábyrgðin gildir aðeins gegn framvísun kvittunar.

GEYMSLA

Áður en tækið er sett í geymslu skal fylgja eftirfarandi skrefum:

1. Gangið úr skugga um að vatnsgeymirinn sé tómur. Þegar kveikt er á tækinu skal ganga úr skugga um að það starfi í loftræstistillingu í að minnsta kosti 30 mínútur til að fjarlægja vatnið inni í tækinu.
2. Vindið upp snúruna.
3. Hreinsið síuna.
4. Geymið á hreinum og þurrum stað.

ÁBENDINGAR

Þegar rakaeyðirinn er notaður í mjög miklum raka eða þar sem hitastig er lægra en +5°C getur hann hætt að virka. Mikið af ís safnast upp á kælispiralnum. Slökkvið á rakaeyðinum og staðsetjið hann aðeins yfir gólfhæð svo ísinn bráðni.

Stundum getur verið gagnlegt að nota hitara til að ganga úr skugga um að hitastigið fari ekki undir +10°C. Jafnvel þótt MDX14 vinni niður að hitastigi allt að +5°C er afkastageta þess meiri við hærra hitastig þar sem heitt loft flytur meira vatn.

Skekkjumörk rakamælisins eru u.þ.b. +/- 5-10%. Við lægra hitastig geta skekkjumörk verið meiri.

Gera má ráð fyrir aukinni afkastagetu við rakaeyðingu á haustin/sumrin þegar hiti utanhúss er hærri og rakastig meira.

MIKILVÆGT! - Wood rakaeyða verður að tengja við jarðtengdan orkugjafa. Rafspenna skal vera 220V-240V 50Hz

VANDAMÁL	LAUSN
Rakaeyðirinn fer ekki í gang	<ul style="list-style-type: none"> Gangið úr skugga um að rakaeyðirinn sé í sambandi og að öryggi sé ekki sprungið Ef viðvörðunarljósið er kveikt skaltu athuga hvort vatnsgeymirinn sé tómur og honum komið fyrir í rakaeyðinum á réttan hátt. Aðgætið hvort flotið sé ekki fast
Eyðir ekki raka	<ul style="list-style-type: none"> Gættu að því hvort viftan snúist Gangið úr skugga um að loft flæði óhindrað í gegnum rakaeyðinn. Grillið og loftsían eiga að vera hrein og rakaeyðirinn ætti að standa um 30 cm frá veggjum. Hlustaðu eftir hljóðum í pressu, en hafa þér í huga að rakaeyðirinn getur stöðvast þegar umhverfisrakinn nær stilltu rakastigi. Gætið að því hvort að þykk ísing hafi myndast á kælspirölunum.
Tækið er hávært	<ul style="list-style-type: none"> Auka fjarlægð milli þurrktækisins og aðliggjandi flatar Kælspirálar getu snert hvor annan og valið titringi. Takið rakaeyðinn úr sambandi og aðskiljið spirálana.
Slekkur ekki á sér þegar vatnsgeymirinn er fullur	<ul style="list-style-type: none"> Mikilvægt er að flotið hreyfist í vatnsgeyminum. Ef ekki mun það ekki bregðast við vatnshæðinni og kemur það í veg fyrir að rakaeyðirinn stöðvist
Vatn kemur ekki í vatnsgeyminn	<ul style="list-style-type: none"> Athugið hvort fyrirstaða sé í bakkanum fyrir ofan vatnsgeyminn
FL	<ul style="list-style-type: none"> Vatnsgeymirinn er fullur. Tæmið vatnsgeyminn og setjið hann aftur á sinn stað.
E1	<ul style="list-style-type: none"> Hita- og rakaskynjari bilaður. Skiptið um hita- og rakaskynjara.

Ef ekkert af ofangreindu virkar skal hafa samband við næsta söluaðila til athugunar og hugsanlegrar viðgerðar á rakaeyðinum.

TÆKNILÝSING

	MDX14
Hám. vinnusvæði	40m ²
Loftflæði stig 1	100m ³ /klst
Loftflæði stig 2	120m ³ /klst
Rakaeyðing við 20°C og 70% rakastig.	6,0 l / 24klst
Rakaeyðing við 30°C og 80% rakastig.	10 l / 24klst
Rafafi við 20 °C og 70% rakastig.	180 W
Orkunotkun við 20°C og 70% rakastig	4, 3kWh/24 klst
Rúmmál geymis	1,5 lítrar
Kæliefni	R290
Hleðsla R290	40 g
Spenna	220-240V
Tíðni	50Hz
Straumur	1A
IP-Kóði	IPX2
Hávaðastig í desibel	43dB
Þyngd	9,1 kg
Mál í mm, L x B x H	293x183x493

*Tæknilegar breytingar og endurbætur geta átt sér stað. Öll gildi eru viðmiðanir og geta verið breytileg vegna utanaðkomandi aðstæðna s.s. hitastigs, loftræstingar og rakastigs.



ATH!

Skráðu þig á www.warranty-woods.com og lestu um hvernig þú færð aukna ábyrgð. Frekari upplýsingar er að finna á woods.se.

Ráðlögð mörk fyrir notkun

Hitastig +5°C til +35°C
 Rakastig: 30% til 90%
 Ráðlagt rakastig:
 u.þ.b. 50% RH

Ábyrgðir

2 ára ábyrgð neytenda gagnvart framleiðslugöllum. Vinsamlegast athugið að ábyrgðin gildir aðeins gegn framvísun kvittunar. Ábyrgðin gildir aðeins ef varan er notuð í samræmi við þær leiðbeiningar og öryggisviðvaranir sem eru að finna í þessari handbók. Ábyrgðin nær ekki til tjóns sem stafar af óviðeigandi meðferð vörunnar.

ATH: 2 ára ábyrgðin á aðeins við um neytendur og er ekki fyrir notkun tækisins í atvinnuskyni.



*This marking indicates that this product should not be disposed with other household wastes throughout the EU. To prevent possible harm to the environment or human health from uncontrolled waste disposal, recycle it responsibly to promote the sustainable reuse of material resources. To return your us device, please use the return and collection systems or contact the retailer where the product was purchased. They can take this product for environmental safe recycling.



*Den här märkningen visar att den här produkten inte ska slängas i hushållsavfallet, i hela EU. För att förhindra skador på miljön eller människors hälsa till följd av okontrollerad sophantering ber vi dig att återvinna produkten ansvarsfullt för att främja hållbar återanvändning av materialresurser. För att återvinna din enhet, vänligen använd retur- och insamlingssystemen eller kontakta återförsäljaren där produkten köptes. De kan lämna in denna produkt för miljösäker återvinning.



*Denne merkingen indikerer at dette produktet ikke skal kastes i husholdningsavfallet. For å unngå mulig skader på miljøet og helse som følge av ukontrollert avfallshåndtering skal apparatet resirkuleres på ansvarlig måte for å fremme bærekraftig gjenbruk av ressursene. For å returnere apparatet kan du bruke retur- og innsamlingsystemet eller ta kontakt med forhandleren der produktet ble kjøpt. De kan resirkulere dette produktet på en miljøvennlig måte.



*Denne mærkning viser, at produktet ikke må bortskaffes sammen med almindeligt husholdningsaffald i EU. For at undgå eventuelle miljø- eller sundhedsmæssige skader på grund af ukontrolleret bortskaffelse af affald skal produktet genvindes på forsvarlig vis. Dermed fremmes bæredygtig genbrug af materielle ressourcer. For at returnere apparatet til os skal du bruge returnerings- og innsamlingsystemerne eller kontakte den forhandler, hvor produktet blev købt. Forhandleren kan sørge for, at produktet genvindes på miljømæssigt forsvarlig vis.



*Merkinnän mukaisesti tuotetta ei saa hävittää talousjätteen mukana EU:n alueella. Kierrätä tuote vastuullisesti ja edistä materiaalien kestävää käyttöä. Samalla ehkäiset valvomattoman jätteen hävittämisen aiheuttamia riskejä ympäristölle ja ihmisten terveydelle. Jos haluat palauttaa laitteen, käytä palautus- ja keräysjärjestelmiä tai ota yhteyttä siihen jälleenmyyjään, jolta tuote on ostettu. He voivat kierrättää tuotteen ympäristöystävällisesti.



*Diese Kennzeichnung besagt, dass das Gerät EU-weit nicht mit dem normalen Haushaltsabfall entsorgt werden darf. Um mögliche Schäden für die Umwelt oder die menschliche Gesundheit durch unkontrollierte Abfallentsorgung zu verhindern, ist ein verantwortungsvolles Recycling sicherzustellen und somit die nachhaltige Wiederverwendung materieller Ressourcen zu fördern. Für die Rückgabe des Geräts an uns stehen Rücksendungs- und Sammelsysteme zur Verfügung. Alternativ ist Kontakt zu dem Händler aufzunehmen, bei dem das Produkt gekauft wurde. Die Händler können dieses Produkt einem umweltschonenden Recycling zuführen.



*Ce marquage indique que ce produit ne doit pas être éliminé avec d'autres déchets ménagers dans l'UE. Afin d'éviter qu'une mise au rebut incontrôlée des déchets ne nuise à l'environnement ou à la santé humaine, recyclez l'appareil de manière responsable afin de promouvoir la réutilisation durable des ressources matérielles. Pour retourner votre appareil, veuillez utiliser les systèmes de retour et de collecte ou contacter le détaillant chez lequel le produit a été acheté. Il peut reprendre ce produit pour un recyclage environnemental sûr.



*Deze markering geeft aan dat dit product in de EU niet met andere huishoudelijke afvalstoffen mag worden verwijderd. Om eventuele schade aan het milieu of gezondheid door ongecontroleerde afvalverwijdering te vermijden, moet u het verantwoord recyclen om het duurzame hergebruik van grondstoffen te stimuleren. Als een consument, bij het afdanken van dit product, kunt u contact opnemen met uw handelaar of uw plaatselijke autoriteiten (plaatselijk bestuur, burgemeester enz.) om details te verkrijgen over het recyclen van dit product. Zij kunnen dit product accepteren voor milieuveilig recyclen.



*To oznakowanie wskazuje, że produkt nie powinien być usuwany z innymi odpadami komunalnymi na terenie UE. Dla zapobieżenia ewentualnym szkodom dla środowiska lub zdrowia ludzkiego na skutek niekontrolowanej utylizacji odpadów, urządzenie należy poddać recyklingowi w sposób odpowiedzialny, tak żeby umożliwić ponowne wykorzystanie materiałów. Aby zwrócić urządzenie, należy skorzystać z systemu zwrotu/ odbioru albo skontaktować się ze sprzedawcą, u którego produkt został kupiony. Może on przyjąć ten produkt, aby poddać go bezpiecznemu recyklingowi.



*Acest marcaj indică faptul că produsul nu trebuie eliminat cu alte deșeuri menajere, prevedere valabilă în întreaga UE. Pentru a preveni eventualele prejudicii aduse mediului sau sănătății umane din cauza eliminării necontrolate a deșeurilor, reciclați aparatul în mod responsabil pentru a promova reutilizarea durabilă a resurselor materiale. Pentru a ne returna aparatul, vă rugăm să utilizați sistemele de colectare și returnare sau să contactați distribuitorul de la care a fost achiziționat produsul. Acesta poate prelua produsul în vederea reciclării în condiții de siguranță ecologică.



*Ši žyma rodo, kad šio gaminio nereikėtų išmesti su kitomis buitinėmis atliekomis visoje ES. Siekiant išvengti galimos nekontroliuojamo atliekų šalinimo sukeltos žalos aplinkai ar žmogaus sveikatai, jį atsakingai utilizuokite, kad būtų skatinamas tvarus pakartotinis materialijų išteklių naudojimas. Jei norite įrenginį grąžinti mums, naudokitės grąžinimo ir surinkimo sistemomis arba kreipkitės į pardavėją, kur buvo įsigytas gaminys. Jie gali priimti šį gaminį, kad jis būtų perdirbtas nepakenkiant aplinkai.



*Šis markėjums norāda, ka ES valstīs šo produktu nedrīkst izmest kopā ar sadzīves atkritumiem. Lai novērstu nekontrolētas atkritumu izmešanas izraisīto iespējamo kaitējumu videi un cilvēku veselībai, utilizējiet produktu atbildīgi, lai veicinātu materiālu resursu ilgtspējīgu izmantošanu. Nododiet ierīci pārstrādei, izmantojot vietējos atgriešanas/savākšanas pakalpojumus, vai sazinieties ar izplatītāju, pie kura iegādājāties izstrādājumu. Mazumtirgotājs var parūpēties par videi drošu produkta pārstrādi.



*See mērgistus nāitab, et seda toodet ei tohi kogu ELis visata muude olmejäätmete hulka. Et vältida kontrollimata jäätmete kõrvaldamisest tekkida võivat kahju keskkonnale või inimeste tervisele, suunake see vastutustundlikult ümbertöötlemisse, et edendada oluliste ressursside säästvat taaskasutamist. Seadme tagastamiseks meile kasutage tagastmis- ja kogumissüsteeme või võtke ühendust jaemüüjaga, kellelt toode osteti. Neil on võimalik suunata toode keskkonnoahutult taaskasutusse.



*Αυτή η σήμανση υποδεικνύει ότι το προϊόν αυτό δεν πρέπει να απορρίπτεται με άλλα οικιακά απόβλητα σε ολόκληρη την Ε.Ε. Για την αποτροπή ενδεχόμενης βλάβης του περιβάλλοντος ή της ανθρώπινης υγείας από την ανεξέλεγκτη διάθεση αποβλήτων, ανακυκλώστε το υπεύθυνα για την προώθηση της αειφόρου επανάχρησης των υλικών πόρων. Για να μας επιστρέψετε τη συσκευή σας, παρακαλούμε χρησιμοποιήστε τα συστήματα επιστροφής και συλλογής ή επικοινωνήστε με το κατάστημα λιανικής πώλησης όπου αγοράσατε το προϊόν. Το προϊόν είναι κατάλληλο για περιβαλλοντικά ασφαλή ανακύκλωση.



*Þetta merki gefur til kynna að ekki skuli farga tæknu með öðru heimilissorpi innan ESB. Til að koma í veg fyrir mögulegt umhverfis- eða heilsutjón vegna rangrar förgunar skal koma tæknu í endurvinnslu þannig að förgun efna fari fram ábyrgan og sjálfbæran hátt. Þegar þú skilar tæknu skaltu nota skila- og söfnunarkerfi eða hafa samband við söluaðila tækisins. Þeir geta tekið á móti tæknu og komið því í endurvinnslu.