

SHARP

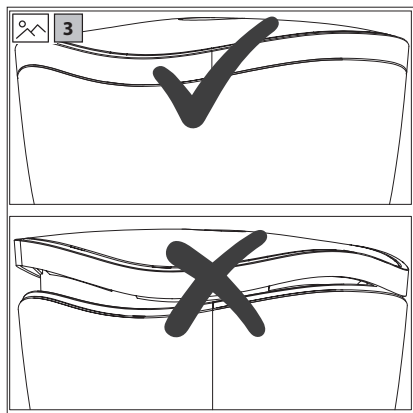
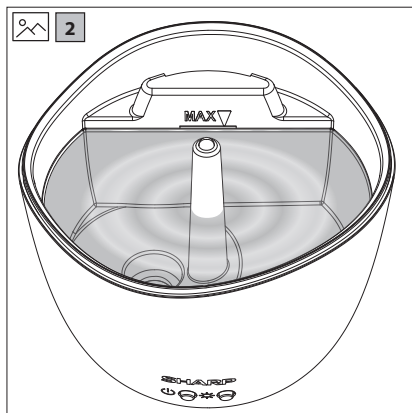
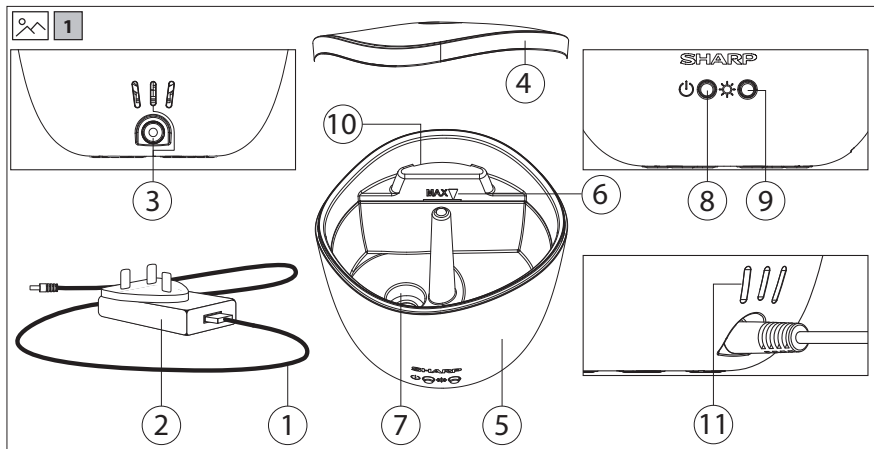


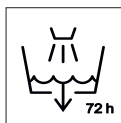
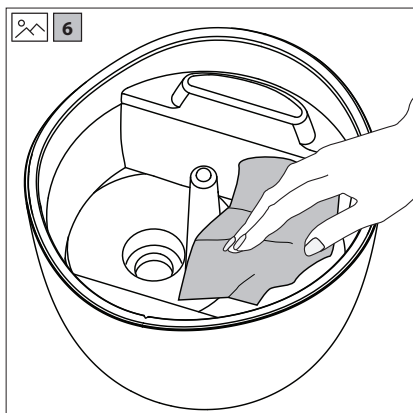
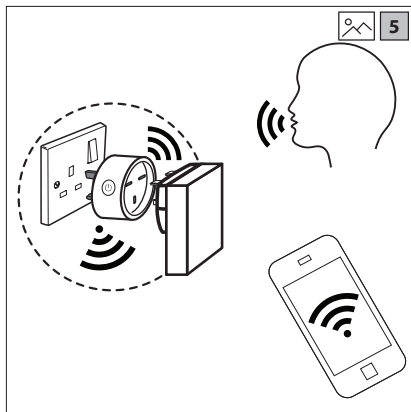
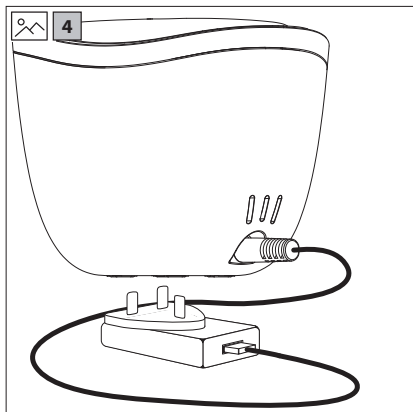
User manual

DF-A1U

Aroma Diffuser

EN





Drain water every 3 days
and clean the unit.

Warranty:

Dear Customer, Thank you for having purchased this SHARP product. We would like to inform you that your warranty rights are in the European warranty card. You can download them from www.sharpconsumer.eu or contact your retailer where you purchased your device. You can also obtain the copy of the warranty rights via the electronic or conventional mail after submitting your request to service.gb@sharpconsumer.eu (UK) | service.ie@sharpconsumer.eu (IE) or calling the number +44 (0) 330 024 0803 (UK) | +353 1443 3323 (IE). Calls are charged at your normal telephone call rate.

Keep proof of purchase because it is necessary to apply warranty rights.

Attention:

Your product is marked with this symbol. It means that used electrical and electronic products should not be mixed with general household waste. There is a separate collection system for these products.



A. Information on disposal for users (private households)

1. In the European Union

Attention: If you want to dispose of this equipment, please do not use the ordinary dustbin!

Used electrical and electronic equipment must be treated separately and in accordance with legislation that requires proper treatment, recovery and recycling of used electrical and electronic equipment.

Following the implementation by member states, private households within the EU states may return their used electrical and electronic equipment to designated collection facilities free of charge*.

In some countries* your local retailer may also take back your old product free of charge if you purchase a similar new one.

*) Please contact your local authority for further details.

If your used electrical or electronic equipment has batteries or accumulators, please dispose of these separately beforehand according to local requirements. By disposing of this product correctly you will help ensure that the waste undergoes the necessary treatment, recovery and recycling and thus prevent potential negative effects on the environment and human health which could otherwise arise due to inappropriate waste handling.

2. In other countries outside the EU

If you wish to discard this product, please contact your local authorities and ask for the correct method of disposal.

For Switzerland: Used electrical or electronic equipment can be returned free of charge to the dealer, even if you don't purchase a new product.

Further collection facilities are listed on the homepage of www.swico.ch or www.sens.ch.

B. Information on disposal for business users

1. In the European Union

If the product is used for business purposes and you want to discard it:

Please contact your SHARP dealer who will inform you about the take-back of the product. You might be charged for the costs arising from take-back and recycling. Small products (and small amounts) might be taken back by your local collection facilities.

For Spain: Please contact the established collection system or your local authority for take-back of your used products.

2. In other countries outside the EU

If you wish to discard of this product, please contact your local authorities and ask for the correct method of disposal.

Sharp Consumer Electronics Poland sp. z o.o. declares that this device is in compliance with the essential requirements and other relevant provisions. **The full text of the EU declaration of conformity is available by following the link:**
<https://www.sharpconsumer.com/documents-of-conformity/>

Symbols used on AC Adapter



Use only power supply listed in the user manual.



This symbol means that the product should be disposed of in an environmentally friendly manner and not with general household waste.



AC voltage



DC voltage



Class II equipment



For indoor use only



Power supply type



Short circuit protected transformer

- Cleaning and user maintenance by children is not recommended.
- Only connect the cable to the AC adapter DC output via the supplied cable. Observe the voltage information given on the Aroma Diffuser.
- DO NOT use mains extension leads.
- DO NOT run the power lead over sharp edges and make sure that it does not become trapped.
- DO NOT pull the AC adapter from the socket with wet hands or by holding on to the power lead.
- DO NOT use the Aroma Diffuser in immediate vicinity of a bath, shower or swimming pool (observe a minimum distance of 3 m). Also do not touch Aroma Diffuser with wet hands.
- DO NOT place the Aroma Diffuser near a heat source.
- DO NOT subject the power lead to direct heat (such as a heated hotplate, open flames, hot iron sole plates or heaters for example).
- Protect power leads from oil. Ensure that the power cable is not contaminated with essential oils.
- See to it that the Aroma Diffuser is properly positioned to ensure a high stability during its operation and make sure that no one can trip over the power cable.
- The Aroma Diffuser is not splash-proof.
- For indoor use only.
- DO NOT store the Aroma Diffuser outdoors.
- Store the Aroma Diffuser in a dry place inaccessible to children. It is recommended that when storing your Aroma Diffuser that the original packaging is used.
- If the power cable is damaged, DO NOT use.
- Only use fragrances, aromas or essential oils that DO NOT contain alcohol.
- Alcohol can damage the Aroma Diffuser. If your Aroma Diffusers is damaged by such additives are not covered by the guarantee.
- Prior to any maintenance, cleaning and after each use, switch off the Aroma Diffuser and unplug the AC adapter from the socket.
- Any repairs to your Aroma Diffuser must only be carried out by a qualified electrical technician.
- Only use the AC Adapter provided by SHARP or their supplier.

Important safety Instructions

Read carefully and keep for future reference.

Warning



- SHARP refuses all liability for loss or damage which arises as a result of failure to follow these operating instructions.
- The Aroma Diffuser is only to be used in the home for the purposes described in these instructions.
- Unauthorised use and technical modifications to the Aroma Diffuser can lead to danger to life and health.
- This Aroma Diffuser can be used by children aged from 8 years and above and persons with reduced physical, sensory or mental capabilities or lack of experience and knowledge if they have been given supervision or instruction concerning use of the Aroma Diffuser in a safe way and understand the hazards involved.
- Your Aroma Diffuser is not a toy, do not allow children to play with the unit.

- When in use ensure that your Aroma Diffuser is not near any items which could be contaminated with the mist that is being emitted from the device.
- Note that some pets may be affected by some essential oils. Before use check with a qualified person.
- Due to the increase of humidity in the air, this may encourage the growth of biological organisms.
- Ensure that any moisture or dampness around the unit is wiped away. Do not allow any absorbent materials around the Aroma Diffuser to become damp.
- When not in use, ensure that any water is drained from the unit.
- Make sure that the unit is empty of water and cleaned before storing.
- Make sure that the water is replaced and the cup cleaned every 3 days. If this is not done, there is a possibility of micro-organisms breeding and causing potential health issues.
- When used consistently, drain water from the unit and clean, removing any scale, deposits or film which may have built up. Refill with clean water.
- This unit emits water vapour, take care when using.
- Your aroma diffuser water tank is made with an anti-bacterial material which prevents the build-up of micro-organisms. Be careful not to damage the water tank.
- Some essential oils contain pigments which may tarnish or stain the unit. Ensure that care is taken when using these and clean the unit after use.

Description of the Aroma Diffuser



(Refer to the  1 **Main Parts of Your Aroma Diffuser** on page 1).

Your Aroma Diffuser consists of the following parts:


1. Power Cable
2. AC Adaptor
3. Power input
4. Lid
5. Water Cup
6. Maximum mark
7. Ultrasonic Membrane
8.  On/Off button
9.  Light control button
10. Air outlet opening (When filling make sure that no water enters this opening)
11. Fan


Controls

On/Off button (item 8)

To turn the unit on and off use the  button this is located on the side of the unit and requires a simple push to turn on. When the  button is pressed it will click. Press once to turn on, press again to turn off.

Light button (item 9)

It is possible to control the intensity of the light by pressing the light  button. This button operates as below if the light is on.


1. Press once – light dims.
2. Press again – light turns off.
3. Press again – light turns on at maximum level.
4. Pressing the  button repeats 1 to 3 as above.

Top tips and hints

For trouble free use of your SHARP Aroma Diffuser, follow the advice in this user manual and the bullet points below:

- DO NOT block the fan grill as this will cause the mist not to be emitted correctly.
- Fill the cup to the maximum water level prior to use and when being used with the Auto Restart function.
- Make sure that the lid is always fitted correctly.

Using your new Aroma Diffuser


Before filling your Aroma Diffuser with water, either turn off via the  button on the front or disconnect from the mains supply. Fill the water cup to the maximum mark indicated. Do you not exceed the maximum mark as this will cause the Aroma diffuser not to operate correctly and cause spillage of water.

This Aroma Diffuser is designed to be used with clean water, ideally this should be distilled water or if this is not available you can use clean tap water. Once the cup has been filled to the maximum level essential oils can be added to the water. Be sure to follow the essential oil instructions to ensure that the correct amount is used.

*(Refer to the  2 **Water Level Mark** on page 1).*

Replace the lid, ensuring that it is correctly aligned and fitting snugly into the base of the unit. If the lid is not installed correctly there will be a gap between it and the base which will allow water to drip down the side of the unit. If the lid does not fit correctly rotate and try again.

*(Refer to the  3 **Correct Fitment of Lid** on page 1).*

Once the lid has been correctly fitted, it is possible to turn on the unit. To do this press the on/off  button located on the side. The unit will power up and the LED will be at full brightness.

Connecting power to your Aroma Diffuser

Your new SHARP of Aroma Diffuser works with an external AC adapter. It is important that this AC adapter is kept away from any water and is not operated or touched if your hands are wet.

Your AC Adaptor plugs into the mains supply and then is connected to the Aroma Diffuser via the power cable. This lead has moulded connectors on each end; the USB connector plugs into the AC Adaptor; the round plug fits into the Aroma Diffuser.

DO NOT use any other AC adapter or lead with your Aroma Diffuser as this may cause overheating and potentially hazardous conditions. DO NOT use USB power extension cables as these may cause the voltage to drop and result in the Aroma Diffuser working incorrectly.


*(Refer to the  4 **Connecting to the AC Adapter** on page 2).*

When connecting to the AC adapter ensure that the socket and plug fit securely together before plugging the AC Adaptor into the mains supply. Loose fitting plugs will cause either erratic or no operation.

Ensure that the water level is filled to the maximum level before use; the maximum level is marked clearly inside the cup and must not be exceeded.

Auto restart function

Your SHARP Aroma Diffuser has a unique feature whereby it will turn on automatically whenever the supply is connected. This handy feature allows you to use the unit with a smart plug enabling remote control operation.

*(Refer to the  5 **Connecting your Aroma Diffuser via a Smart Plug** on page 2).*

The Auto Restart function will not work if the water level is too low. Ensure that before using this advanced feature that the water is at the maximum level and that, if necessary, there is oil in the device.

When using the Auto Restart function, ensure that the lid is fitted correctly and securely before doing so. If the lid is not fitted correctly, water may spill out of the unit.

Essential oils

This Aroma Diffuser is compatible with the majority of essential oils available from many suppliers. It is recommended that only a 3-5 drops of oil are used with each maximum level fill of water. Follow the usage advice supplied with the essential oil for best results.

Before using essential oils, check the warning labels for allergy advice.

Cleaning

After every use, clean the Aroma Diffuser cup and lid with a soft cloth.

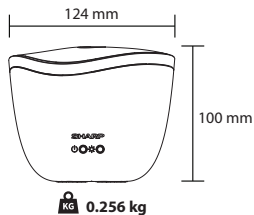
(Refer to the  **6 Cleaning your Aroma Diffuser** on page 2).

DO NOT use strong alkaline or acidic cleaners.

DO NOT use abrasive cleaners or abrasive cleaning cloths.

Technical specification

| Model | DF-A1U |
|---------------------|--|
| Packaging Content | Aroma Diffuser, AC adaptor, Power Cable, User Guide |
| Power Requirements | 5V DC / 2 A |
| Power Consumption | 10 W |
| External AC Adapter | Yes |
| Tank Capacity (ml) | 200 |
| Noise Level (dB) | <27 db |
| LED Colour | Amber |
| LED Light Modes | On / Dimmed / Off |
| Power adapter | |
| Model Name | XH0500-2000wUE |
| Input | AC 100 - 240 V |
| Output | DC 5.0V, 2 A |
| Manufacturer | XIAMEN XUNHENG ELECTRONICS TECH CO.,LTD. 361101 Xiamen City, P. R. China |





Sharp Consumer Electronics Poland sp. z o.o.
Ostaszewo 57B, 87-148 Łysomice, Poland

Made in China

SDA/MAN/0154

www.sharpconsumer.eu

SHARP