



Z-6000 | Z-7000

OWNER'S MANUAL

PERFORMANCE AIR PURIFIERS



WELCOME TO CLEANER AIR

CONTENTS

SAFETY INFORMATION	4
FEATURE HIGHLIGHTS	6
PRODUCT OVERVIEW	7
GETTING STARTED	8
CONTROL PANEL	10
AIR QUALITY DISPLAY	11
SPECIFICATIONS	12
CARE & MAINTENANCE	13
Replacing True HEPA/Carbon Filters	13
Washing the Prefilters	14
FAQ & TROUBLESHOOTING	15
WARRANTY & SUPPORT	17

SAFETY INFORMATION

READ & SAVE THESE INSTRUCTIONS / READ THE LABEL AND ANY OPERATING MANUAL BEFORE USING

PRECAUTIONS

Unplug or disconnect the appliance from the power supply before replacing filters, or when appliance is not in use. Further information and installation guides/videos can be found at www.trusens.com/en-au/

! WARNING: To reduce the risk of fire or electric shock, do not use this fan with any solid-state speed control device. Do not operate any purifier with a damaged cord or plug, or if the wall socket is loose. If the supply cord is damaged, it must be replaced by the manufacturer, its service agent or similarly qualified persons in order to avoid a hazard.

Do not run cord under carpeting, throw rugs, runners, or similar coverings. Do not run cord under furniture or appliances. Arrange cord away from traffic area and where it will not be tripped over.

! WARNING: Skin or eye damage may result from directly viewing the light produced by the UV-C emitter in this apparatus. Unintended use of the appliance or damage to the housing may result in the escape of dangerous UV-C radiation. UV-C radiation may, even in small doses, cause harm to the eyes and skin. Avoid exposing eyes and skin to UV-C radiation.

! WARNING: UV radiation emitted from this device.

- Remove all packaging, including the filter bag, before use.
- This appliance is designed to be used in commercial areas.
- The A-weighted emission sound pressure level is below 70dB(A).
- Appliances that are obviously damaged must not be operated.

- This appliance must only be connected to a wall socket outlet matching the supply plug type and rating stated on the rating plate.
- Locate air purifier near the outlet wall socket and do not use extension cords.
- This appliance can be used by children aged from 8 years and above and persons with reduced physical, sensory or mental capabilities or lack of experience and knowledge if they have been given supervision or instruction concerning use of the appliance in a safe way and understand the hazards involved.
- KEEP OUT OF THE REACH OF CHILDREN. Children shall not play with, clean, or try to maintain the appliance.
- Do not attempt to service or repair this product yourself.
- Only use the air purifier and SensorPod with the power cable provided.
- Only clean this machine with a damp cloth, do not use solvents or bleach.
- Ensure appliance is always placed on firm level surface before operation.
- Do not block or obstruct the air intake or outlet vents.
- Do not insert fingers or other items into the air intake or outlet vents.
- When the air purifier is in standby mode the SensorPod is still transmitting a signal/data.

FIRST AID INSTRUCTIONS - Seek medical attention in event of injury.

The use of this device is a supplement to and not a substitute for standard infection control practices; users must continue to follow all current infection control practices, including those practices related to cleaning and disinfection of environmental surfaces.

This device complies with radio-communications requirements.

Any changes or modifications not expressly approved by the party responsible for compliance could void the user's authority to operate the equipment.

This equipment has been tested and found to comply with the radio-communications limits. These limits are designed to provide reasonable protection against harmful interference in a residential installation. This equipment generates, uses and can radiate radio frequency energy and, if not installed and used in accordance with the instructions, may cause harmful interference to radio communications.

However, there is no guarantee that interference will not occur in a particular installation. If this equipment does cause harmful interference to radio or television reception, which can be determined by turning the equipment off and on, the user is encouraged to try to correct the interference by one or more of the following measures:

- Reorient or relocate the receiving antenna.
- Increase the separation between the equipment and receiver.
- Connect the equipment into an outlet on a circuit different from that to which the receiver is connected.
- Consult the dealer or an experienced radio/TV technician for help.

Operating Frequency
Wireless: 2402-2480MHz
Maximum Transmit Power (EIRP)
Wireless: 7.1 dBm
Antenna Gain
Wireless: 2 dBi

This equipment should be installed and operated with minimum distance of 20cm between the radiator and all persons.

END OF LIFE DISPOSAL AND RECYCLING

At the end of its useful life please do not dispose of this electrical/electronic product and any consumables as unsorted waste in general kerbside collections. Please dispose of this product and any consumables using a facility near your home or office that will disassemble and suitably dispose or recycle the components. Recycling of this product is geared toward protecting the environment, protecting human health, preserving raw materials, improving sustainable development, and ensuring a better supply of commodities. Households should contact their local council for the nearest community recycling centres. Businesses should contact their waste disposal services.

FEATURE HIGHLIGHTS

TRU-BEAM™

TRU-BEAM™ UV-C
Proprietary TRU-BEAM UV-C system. No replacements required.



Dual-sided Filtration
Combination filter featuring True HEPA to capture pollutants and Activated Carbon to capture odors and VOCs on both sides.



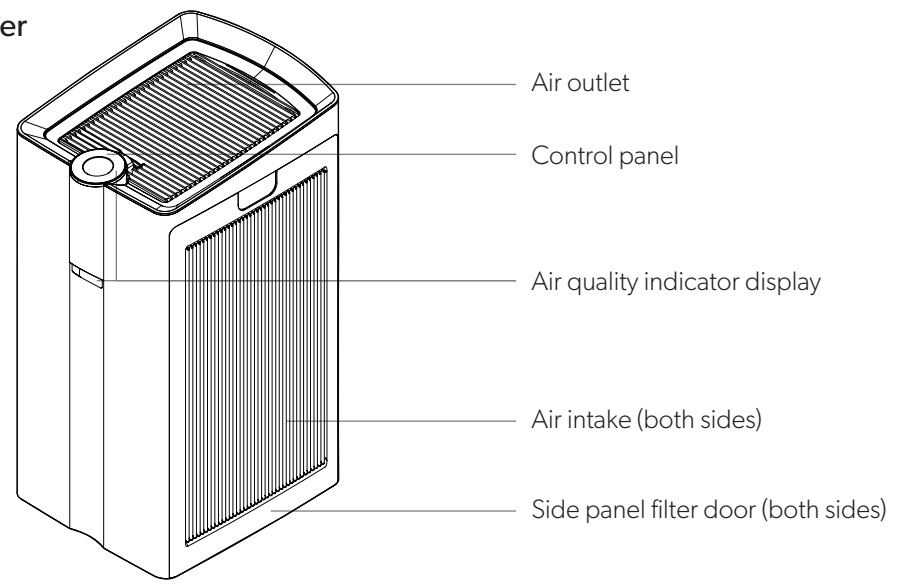
SensorPod™
Remote air quality monitor that ensures cleaner air, right where you need it.



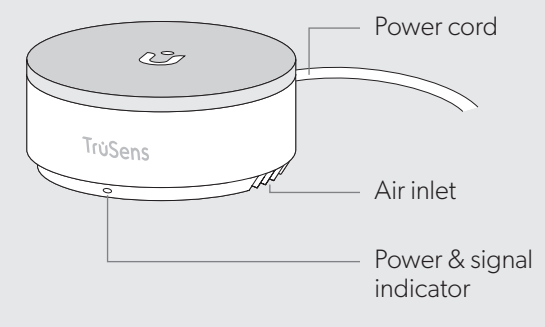
Informs and Adapts
Color-coded illumination provides additional information by communicating air quality in real-time.

PRODUCT OVERVIEW

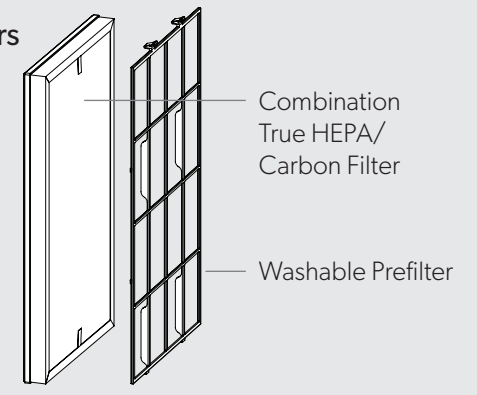
Air Purifier



SensorPod™



Filters



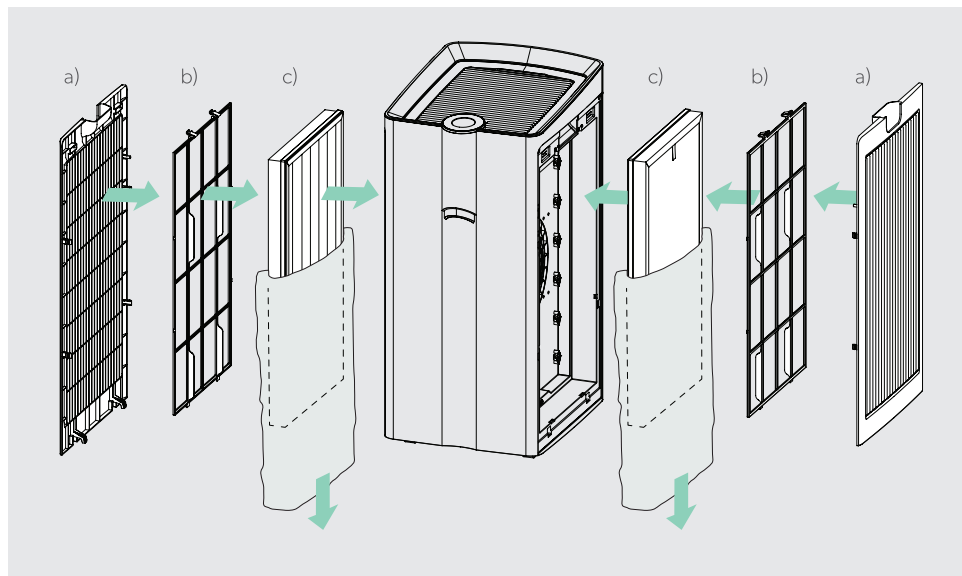
GETTING STARTED



Install the filter (combination True HEPA/Carbon)

Remove side panel door (a), prefilter (b) then bagged True HEPA/Carbon filter. Remove plastic bag from filter (c) and install inside the purifier with HEPA layer (white) on the inside, and the Carbon layer (black) on the outside. Replace the prefilter and side panel door.

NOTE: Perform steps on both left and right sides.



Set up

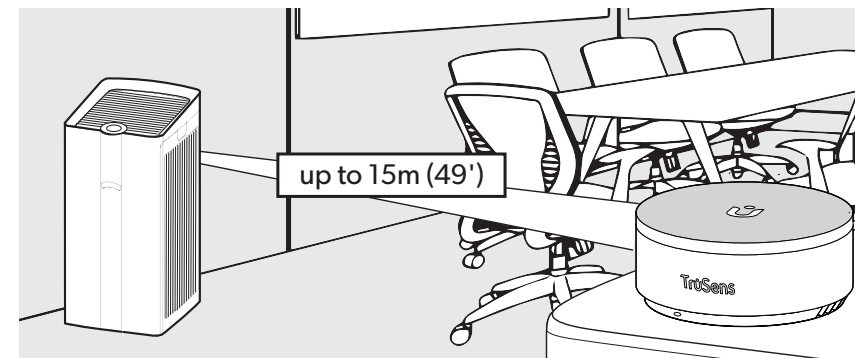
Plug-in your SensorPod™, and place upright on a tabletop or counter across the room, within line of sight of the purifier.

Plug-in your air purifier unit and power on. Place the purifier on a flat surface, free from obstructions.

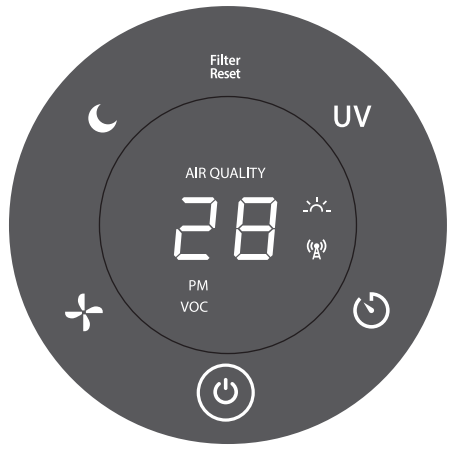
Signal strength may vary by location. In the rare occasion that it doesn't work – see page 16.

Start living with cleaner air!

The purifier will automatically adjust fan speeds based on the air quality readings from SensorPod, and will deliver purified air in the room.



CONTROL PANEL



Dimmer Mode

Display illumination turns off without sacrificing the effectiveness of the purifier. Simply press the button again to bring back all display features.

Filter Reset

Filter Indicator Reset

HEPA and Carbon indicators glow red when it is time to replace the filters. Simply hold Filter Reset button for 3 seconds to reset the indicators. If replacing the filter before HEPA and Carbon indicators turn red, hold Filter Reset button for 10 seconds to reset the indicators.

(See pages 14-16 for replacement instructions. Follow above Reset button instructions after replacing filter.)

UV

UV Mode

UV-C within the purifier's filter chamber are on when the sun icon symbol is on.



Timer Mode

Purifier will automatically turn off after 2, 4, 8, or 12 hours. To cancel this countdown, simply press button until no timer setting is displayed.

 SensorPod™ Signal Indicator

 Power Button

 Fan Speed Settings
Select fan speed or AUTO mode. In AUTO mode, purifier automatically adjusts fan speed based on air quality readings from SensorPod.

(AUTO mode only available when purifier is paired with SensorPod and receiving signal)

AIR QUALITY DISPLAY

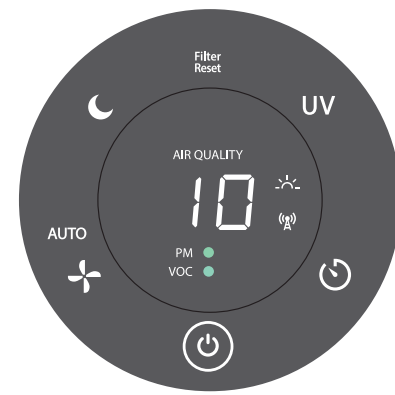
Real-time Feedback

The enhanced SensorPod™ evaluates the condition of your air by measuring both particulate matter (PM1.0, PM2.5, PM10) and volatile organic compounds (VOCs). It calculates the overall air quality using a proprietary algorithm that is reactive to genuine increases in pollutants without overreacting.

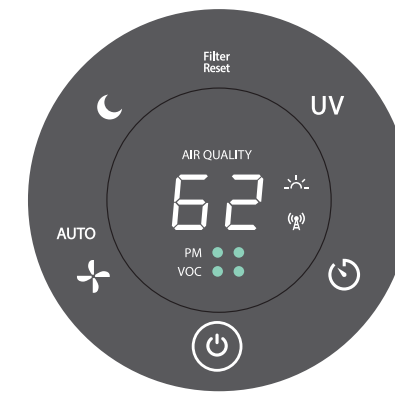
The illuminated, color-coded display communicates good, moderate or poor air quality and a numeric value provides a greater level of detail.

In AUTO mode, the purifier automatically adjusts the fan speed in response to these air quality readings.

GOOD
BLUE | 0 - 50



MODERATE
YELLOW | 50 - 100



POOR
RED | 100 - 500



SPECIFICATIONS

Air Inlet	Dual-sided
Air Outlet	Top
Smoke CADR (Turbo Setting)	Z-6000: 880m ³ /h Z-7000: 930m ³ /h
Room size at 2 air changes per hour (ACH)	Z-6000: 163m ² Z-7000: 186m ²
Sensor	SensorPod™, works up to 15m (49 ft) from purifier
Fan Speed Settings	Whisper, 1, 2, 3, Turbo, AUTO
Purification Levels	Washable Prefilter, Carbon, True HEPA, TRU-BEAM™ UV-C
Timer Settings	2, 4, 8, 12 hr
Filter Change Indicators	HEPA, Carbon
Noise	Z-6000: 30 - 53 dB(A) Z-7000: 31 - 54 dB(A)
Dimensions	Z-6000: 374 x 468 x 693 mm (14.7 x 18.4 x 27.3 in) Z-7000: 374 x 468 x 806 mm (14.7 x 18.4 x 31.7 in)
Weight	Z-6000: 19.1 kg (42.1 lb) Z-7000: 20.5kg (45.2 lb)
Motor Type	DC motor
Power Requirements	100-240VAC / 50-60 HZ
Power Consumption	Z-6000: 24 - 90 W Z-7000: 29 - 102 W
Warranty	2 years

Replacement Filters

Combination True HEPA/ Carbon Filter	Z-6000	AFCHZ600001	2 pack	Replace every 12 months*
	Z-7000	AFCHZ700001	2 pack	

*Operating 12 hours per day, under typical operating conditions.

CARE & MAINTENANCE



WARNING: Always power off the purifier by pressing the Power Button and unplugging the power cord.

To access the filter chamber, gently remove both side panel filter doors (Fig. A).

REPLACING TRUE HEPA/CARBON FILTERS

The HEPA and Carbon indicators will glow red when it is time to change the combination filter.

1. Gently remove the washable prefilters from both sides (Fig. B).

Refer to page 14 for cleaning instructions.

2. Remove the current combination True HEPA/Carbon filters from both sides (Fig. C).

3. Gently install the replacement combination True HEPA/Carbon filters with the HEPA layer (white) on the inside, and the Carbon layer (black) on the outside (page 8).

4. Replace the prefilters and side panel filter doors on both sides (page 8).

5. Plug-in and power on your purifier, and hold the Reset button until the red filter indicators turns off.

Refer to page 12 for True HEPA/Carbon filter replacement part number.

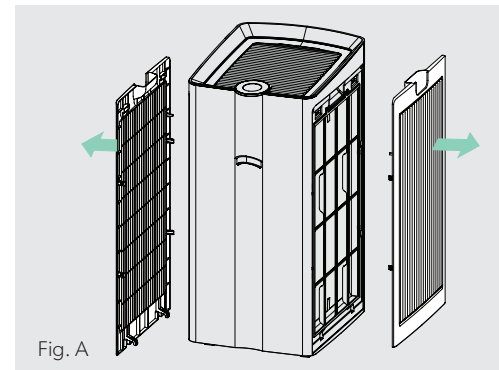


Fig. A

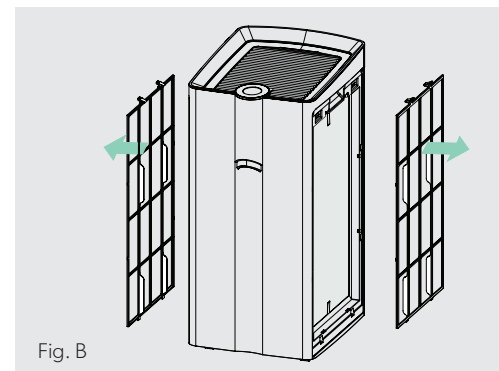


Fig. B

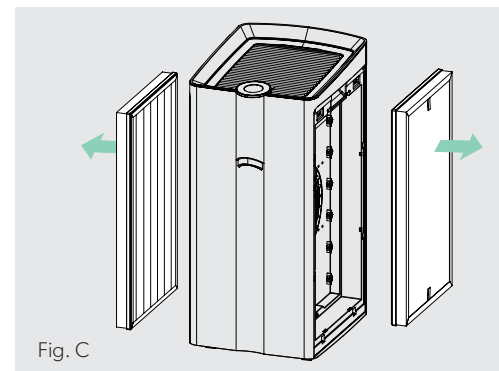


Fig. C

WASHING THE PREFILTERS

We recommend that you visually inspect the prefilters every month, and clean as needed. Hand wash the prefilters every time you change the combination True HEPA/Carbon filters.

1. Gently remove both side panel filter doors.
2. Gently remove the prefilters (Fig. D).
3. Gently clean with a dampened cloth – allow prefilters to air dry before re-installing.
4. Replace the prefilters (Fig. E) and both side panel filter doors.

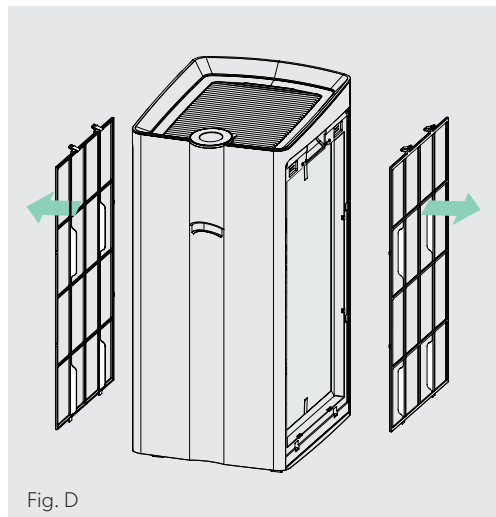


Fig. D

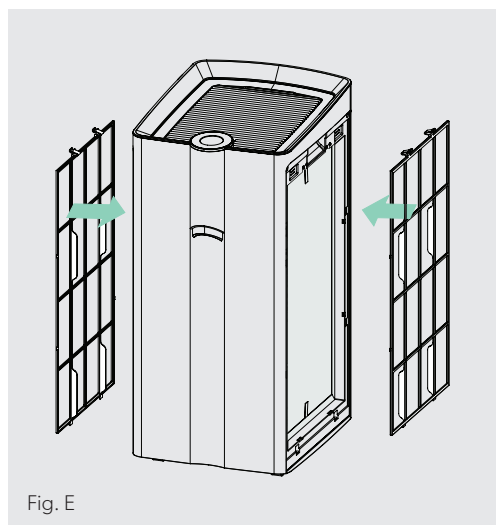


Fig. E

FAQ & TROUBLESHOOTING

<p>Where do I place the SensorPod™?</p>	<p>Anywhere you want to measure the air quality within the room. For optimal results, place the SensorPod™ up to 15m (49 ft) away from the air purifier on a counter or table, within line of sight of the purifier. In Auto Mode, the purifier will work to distribute clean air until the SensorPod reads an acceptable level of air quality.</p>
<p>How often do I need to change the filters?</p>	<p>That's easy! The purifier's replacement indicators will notify you when it is time to replace the combination True HEPA/Carbon filters. Plan on replacing the filters every 12 months.</p>
<p>How often do I need to wash the prefilters?</p>	<p>The prefilter captures larger particles and preserves the efficiency of the other filters, so we recommend that you visually inspect the prefilters every month and wash as needed.</p>
<p>Purifier won't turn on.</p>	<p>Check that the power cord is connected securely to both the wall outlet and the purifier. Check if there is a power outage in the outlet by trying a nearby light or device, or by trying a working device in the same outlet. Check that the filters and filter covers are fitted properly into filter chamber.</p> <p>Please contact us if you're still having a problem! (page 17)</p>

FAQ & TROUBLESHOOTING

<p>Purifier won't go into Auto Mode.</p> <p>OR</p> <p>Air quality indicators are off.</p> <p>OR</p> <p>Purifier's sensor signal indicator is blinking.</p>	<p>First, check that the SensorPod is plugged-in and that its light is solid.</p> <p>Next, check that the SensorPod is within range of the purifier (up to 15m/49ft).</p> <p>If both are true and the connection is still failing, see below instructions on repairing the SensorPod's connection.</p>
<p>I've lost my SensorPod™!</p>	<p>Don't worry! Please contact our customer support team and you can order a replacement SensorPod. Follow the easy pairing instructions below to pair your replacement SensorPod with your existing air purifier!</p>

Pairing SensorPod™ and Purifier

The SensorPod communicates with the purifier using radio frequency signals, and will be paired on the production line and ready for use when you open the box. In the rare event that the signal is interrupted, the purifier's sensor indicator light (📶) will blink. You can repair the connection in just a few easy steps.

1. Unplug the SensorPod.
2. HOLD the Power Button on the purifier for 3 seconds, when you should hear two chimes.
3. Plug-in the SensorPod and press and HOLD the pairing button underneath the SensorPod for 5-7 seconds (Fig. F).

4. The connection is established when the purifier's sensor indicator light is lit with no blinking, and the air quality indicators turn on.

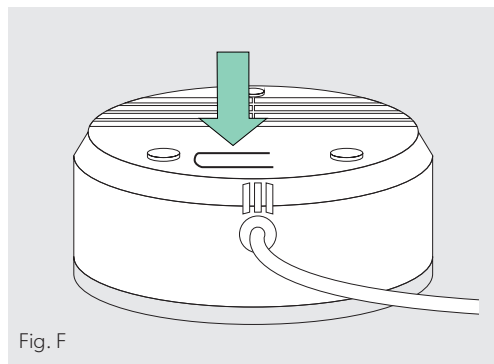


Fig. F

Warranty Against Defects

This product is provided with a **2 year** warranty limited to defects in material and workmanship from the date of original purchase (you must retain proof of purchase) (**Warranty Period**). This warranty is offered by ACCO Brands Australia Pty Ltd (ABN 16 000 265 047) if the product was purchased in Australia or ACCO Brands New Zealand Limited (26589) if the product was purchased in New Zealand (each referred to individually, as **ACCO Brands**).

ACCO Brands will, at its own discretion, either repair or replace this product (with a new or refurbished product) if the defect is deemed by ACCO Brands to be the result of faulty materials or workmanship but subject to the conditions set out in this warranty. Any other representation contained on this product's packaging or provided with this product which constitutes or appears to constitute a warranty is hereby excluded and is not given by ACCO Brands (except for the statutory warranties as indicated below). You may claim on this warranty only within the Warranty Period in the manner set out below and provided that you have complied with all the other conditions of this warranty. This warranty can only be exercised by the original purchaser of the product and is not transferrable to any other person or entity under any circumstances.

Statutory Guarantees and Your Other Rights and Remedies

This warranty is provided in addition to other rights or remedies that you, as a consumer, may have under Australian or New Zealand consumer law, or any other applicable law.

For Australia: Our goods come with guarantees that cannot be excluded under the Australian Consumer Law. You are entitled to a replacement or refund for a major failure and compensation for any other reasonably foreseeable loss or damage. You are also entitled to have the goods repaired or replaced if the goods fail to be of acceptable quality and the failure does not amount to a major failure.

For New Zealand: Our goods come with guarantees that cannot be excluded under the Consumer Guarantees Act 1993. This guarantee applies in addition to the conditions and guarantees implied by that legislation.

What this Warranty Does Not Cover

If ACCO Brands reasonably considers that any of the following situations are present, this warranty does not apply:

- any cosmetic damage;
- where the product's serial number is no longer present or visible;
- loss or damage caused by factors beyond the control of ACCO Brands including, but not limited to, damage or failure due to power fluctuations, overload, excessive heat or humidity;
- where the product has not been installed, operated, used, stored and/or maintained in accordance with any instructions provided with the product;
- where damage or defects are due to unusual, abnormal, non-recommended or negligent use, handling or maintenance of the product;
- any alterations or repairs to the product not authorised in writing or performed by ACCO Brands;
- liability based on any service or other agreement or arrangement entered with any third party; or
- normal wear and tear including deterioration of any wearable components or consumables in any product, including but not limited to base boards, blades, cutters, cutting disks, cutting sticks, drill bits, feed wheels, fuses, light bulbs, manual punches, separators, slitters and staple inserts.

How to Make a Claim

To make a claim under this warranty please contact your place of purchase within the Warranty Period (from the date of purchase). Proof of your purchase of this product, such as your receipt or invoice, must be provided in addition to a detailed description of the defect in the product. Your claim will be assessed under the terms and conditions of this warranty and the laws applicable to your place of purchase.

Distributor Contact Details

Australian Customers

ACCO Brands Australia Pty Ltd
 Locked Bag 50, Blacktown BC, NSW 2148
 Phone: 1300 278 546
 Email: enquiry.nsw@acco.com

New Zealand Customers

ACCO Brands New Zealand Limited
 PO Box 11-677, Ellerslie, Auckland 1542
 Phone: 0800 800 526
 Email: enquiry.nz@acco.com

TruSens™

www.trusens.com



ACCO Brands Australia
2 Coronation Ave
Kings Park, NSW, 2148
1300 278 546

©2022 ACCO Brands. All rights reserved. TruSens™, U™ & Design, SensorPod™ and Tru-Beam™ are trademarks of ACCO Brands.