



ITEM H2200

2200 SERIES FILTRATION FAUCETS TRADITIONAL C-SPOUT - HOT ONLY

2200 Series - Hot Only

Available in Three Finishes - Chrome (CH), Brushed Nickel (BN), Polished Nickel (PN)

For Use with BTI/AquaNuTech Instant Hot Water Dispenser

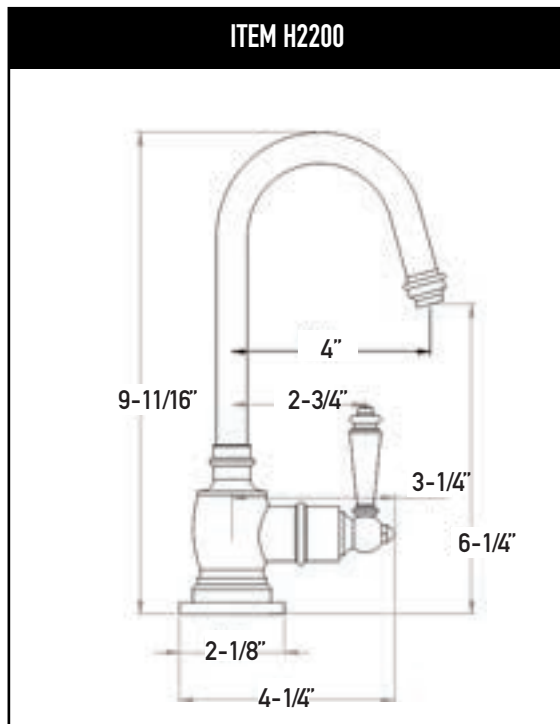
Provides Instant Hot Water On Demand

Solid Brass Construction • Insulated Spout • Spout Swivels 360 Degrees Quarter-Turn Ceramic Disk Cartridges • Flow Rate 1.1 - 1.4 GPM

ADA Compliant Lever Handles • Decorative Spout with 4" Reach

Compatible with Reverse Osmosis Filtration Systems

Decorative Base Plate with Rubber O-Ring Levels Faucet on Uneven Countertops



Max Counter Thickness 2"
Recommended Installation Hole:

Cold Only 3/4 to 1"

Hot Only 1-3/8"

Hot & Cold 1-3/8"

Meets or Exceeds the Following:

- ASME A112.18.1
- CSA B125.1
- NSF 61, 372
- CALGreen
- ADA Compliant

www.btiaquasolutions.com

7022 S. Revere Parkway Suite 240 • Centennial, CO 80112 • 720.322.0800 (o) 720.322.0801 (f)