



## VINTAGE 2-LIGHT WALL SCONCE

SCG081

The Vintage is offered in 1-Light, 2-Light, and 3-Light versions. An industrial vanity light with a substantial cast aluminum back plate and protective bulb cage, the Vintage will make a great addition to your vintage industrial décor, both for residential and commercial applications.



### FEATURES + BENEFITS

- Cast aluminum hub and wall canopy.
- Dimmable with a dimmable bulb and compatible dimmer (not included).
- Polyester powder coat finish provides color retention and scratch resistance.
- UL Listed for Damp/Dry Location.
- Warranty: Limited 1 Year.
- Made in USA.

## SPECIFICATIONS

### Product Dimensions:

Width 16", Height 15 1/4", Depth 6 1/2", Canopy 16"W x 5"H

### Lamping:

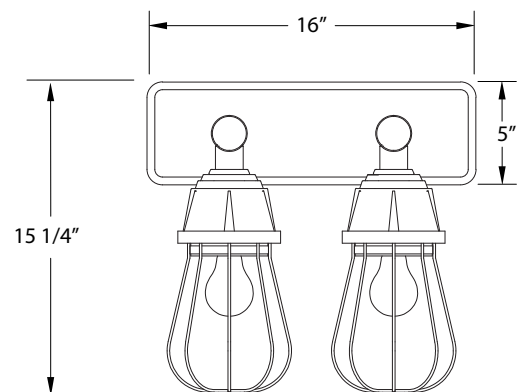
Max Wattage: 100W per socket

### Options:

- Finish: Slate Gray, Black, Forest Green, White Gloss, Sea Green, Painted Galvanized, Navy, Architectural Bronze, Light Blue, Barn Red

### Shipping:

At Montclair Light Works we proudly manufacture, assemble, and ship your lamp within 7-13 business days from our factory in Montclair CA.



JOB/LOCATION

QUANTITY

DATE

NOTES