



## XL CHOICES 30 INCH PENDANT LIGHT

PEB230



As big as your vision, our XL Choices are designed to add maximum visual impact and light output to your space. Big hanging pendants range in size from 22 inches to 42 inches and will fill a large space in great style. Cord hung pendants are a fun and useful addition to your décor, they will add color, and design flair to any application.

### FEATURES + BENEFITS

- Metal RLM shades are spun from heavy duty aluminum.
- Dimmable with a dimmable bulb and compatible dimmer (not included).
- Polyester powder coat finish provides color retention and scratch resistance.
- White powder coat shade interior for maximum light output. Painted galvanized finish has painted galvanized shade interior.
- 6ft Black SJT cord standard.
- Stainless steel cable for extra mounting support included with units weighting over 15lbs.
- UL Listed for Damp/Dry Location.
- Warranty: Limited 1 Year.
- Made in USA.

## SPECIFICATIONS

### Product Dimensions:

Width 30", Shade Height 15", Overall Height 87", Canopy Dia. 5 3/8"

### Lamping:

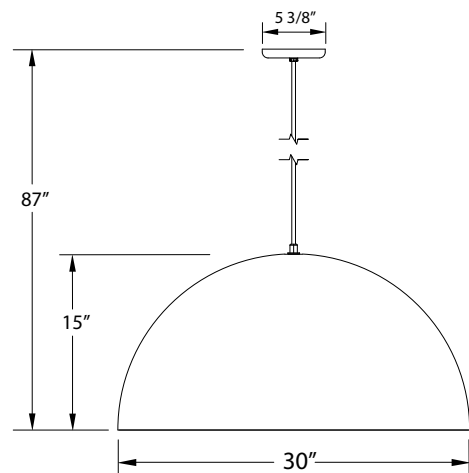
Max Wattage: 100W per socket

### Options:

- Finish: Satin Black, White Gloss, Bronze Matte, Textured Black with Gold Matte Interior
- Shade Size: 24 Inch, 30 Inch, 36 Inch
- Accessories: Cord Color, 3-Light Socket Cluster

### Shipping:

At Montclair Light Works we proudly manufacture, assemble, and ship your lamp within 7-13 business days from our factory in Montclair CA.



JOB/LOCATION

QUANTITY

DATE

NOTES