



## WAREHOUSE 14 INCH PENDANT LIGHT

PEB183



Cord hung pendants are a fun and useful addition to your décor, they will add color, and design flair to any application. Choose from 10 finishes and 10 cord patterns, accessorize with a wire grill, or glass and guard to create your own custom pendant. Great for interior use over a table, island, or workbench. The Warehouse shade is our most popular shade style, and we offer in a large variety of sizes.

### FEATURES + BENEFITS

- Metal RLM shades are spun from heavy duty aluminum.
- Dimmable with a dimmable bulb and compatible dimmer (not included).
- Polyester powder coat finish provides color retention and scratch resistance.
- White powder coat shade interior for maximum light output. Painted galvanized finish has painted galvanized shade interior.
- 6ft Black SJT cord standard.
- UL Listed for Damp/Dry Location.
- Warranty: Limited 1 Year.
- Made in USA.

## SPECIFICATIONS

### Product Dimensions:

Width 14 1/2", Shade Height 7 1/8", Overall Height 79", Canopy Dia. 5 3/8"

### Lamping:

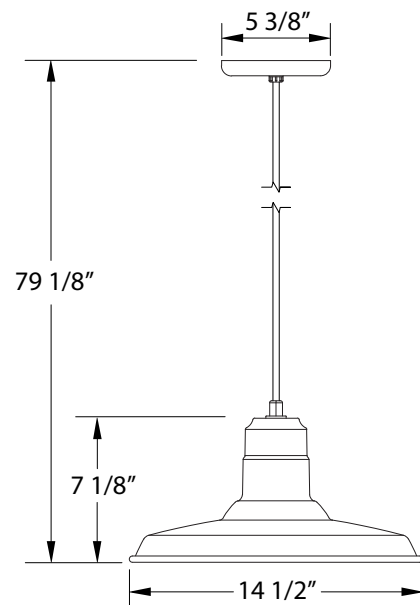
Max Wattage: 100W per socket

### Options:

- Finish: Slate Gray, Black, Forest Green, White Gloss, Sea Green, Painted Galvanized, Navy, Architectural Bronze, Light Blue, Barn Red
- Shade Size: 12 Inch, 14 Inch, 16 Inch, 18 Inch, 20 Inch
- Accessories: Cord Color, Weathertight Glass and Guard, Wire Grill, Integrated LED

### Shipping:

At Montclair Light Works we proudly manufacture, assemble, and ship your lamp within 7-13 business days from our factory in Montclair CA.



JOB/LOCATION

QUANTITY

DATE

NOTES