



VAPORTITE 3-LIGHT STEM HUNG PENDANT LIGHT

MSK052

Maximize your light output with our 3-Light Multi-Light Stem Hung Pendants. Illuminate an outdoor or indoor kitchen island or dining table, this industrial look works well in both commercial and residential applications. Our weathertight glass and guard will protect your light source from damage in a storm, as well as light your way in great nautical style.



FEATURES + BENEFITS

- Metal RLM shades are spun from heavy duty aluminum.
- Weathertight Glass and Cast Aluminum Guard protect light source.
- Dimmable with a dimmable bulb and compatible dimmer (not included).
- Polyester powder coat finish provides color retention and scratch resistance.
- White powder coat shade interior for maximum light output. Painted galvanized finish has painted galvanized shade interior.
- UL Listed for Wet Location.
- Warranty: Limited 1 Year.
- Made in USA.

SPECIFICATIONS

Product Dimensions:

Width 8 1/4", Shade Height 9 7/8", Length 31", Canopy Dia. 4 1/8",
Overall Height=Choice of Vertical Stem Length + 11 3/8"

Lamping:

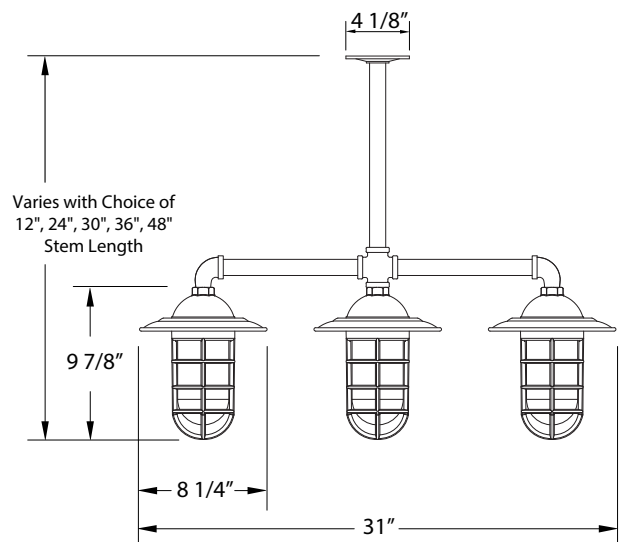
Max Wattage: 100W per socket

Options:

- Finish: Slate Gray, Black, Forest Green, White Gloss, Sea Green, Painted Galvanized, Navy, Architectural Bronze, Light Blue, Barn Red
- Accessories: Choice of Vertical Stem Length, Decorative Ceiling Canopy, Sloped Ceiling Mount.

Shipping:

At Montclair Light Works we proudly manufacture, assemble, and ship your lamp within 7-13 business days from our factory in Montclair CA.



JOB/LOCATION

QUANTITY

DATE

NOTES