

RADIAL 16 INCH CURVED ARM WALL LIGHT

GNU159



Our outdoor wall lights, inspired by 1920's industrial lighting, in curved arm styles are great for use as sign or awning lights, garage or barn lights. This vintage look works well indoors also, our smallest sizes will illuminate a restaurant menu board, bookcase, or shelving unit. The Radial Shade is fluted to allow water to flow off its surface, suitable for seaside and non-seaside locales.

FEATURES + BENEFITS

- Metal RLM shades are spun from heavy duty aluminum.
- Dimmable with a dimmable bulb and compatible dimmer (not included).
- Polyester powder coat finish provides color retention and scratch resistance.
- White powder coat shade interior for maximum light output. Painted galvanized finish has painted galvanized shade interior.
- UL Listed for Wet Location.
- Warranty: Limited 1 Year.
- Made in USA.

SPECIFICATIONS

Product Dimensions:

Width 16", Height 20", Depth 22", Canopy Dia. 4 5/8"

Lamping:

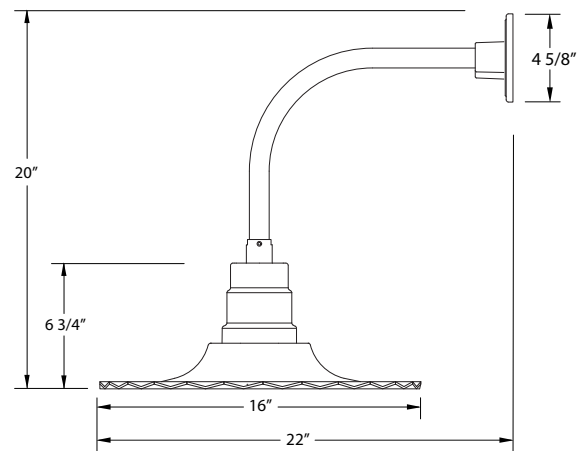
Max Wattage: 100W per socket

Options:

- Finish: Slate Gray, Black, Forest Green, White Gloss, Sea Green, Painted Galvanized, Navy, Architectural Bronze, Light Blue, Barn Red
- Shade Size: 8 Inch, 12 Inch, 16 Inch
- Accessories: Decorative Backplate Cover, Swivel, Watertight Glass and Guard

Shipping:

At Montclair Light Works we proudly manufacture, assemble, and ship your lamp within 7-13 business days from our factory in Montclair CA.



JOB/LOCATION

QUANTITY

DATE

NOTES