



VAPORTITE 2-LIGHT STRAIGHT ARM WALL LIGHT

GNP050



Our outdoor wall lights, inspired by 1920's industrial lighting, in straight arm styles are great for use as sign or awning lights, garage or barn lights. This vintage look works well indoors, as a wall sconce to illuminate an entry or hallway, stairway, or bathroom. Our weathertight glass and guard will protect your light source from damage in a storm, as well as light your way in great nautical style.

FEATURES + BENEFITS

- Metal RLM shades are spun from heavy duty aluminum.
- Weathertight Glass and Cast Aluminum Guard protect light source.
- Dimmable with a dimmable bulb and compatible dimmer (not included).
- Polyester powder coat finish provides color retention and scratch resistance.
- White powder coat shade interior for maximum light output. Painted galvanized finish has painted galvanized shade interior.
- UL Listed for Wet Location.
- Warranty: Limited 1 Year.
- Made in USA.

SPECIFICATIONS

Product Dimensions:

Width 15 5/8", Height 13 3/4", Depth 8", Canopy Dia. 4 5/8"

Lamping:

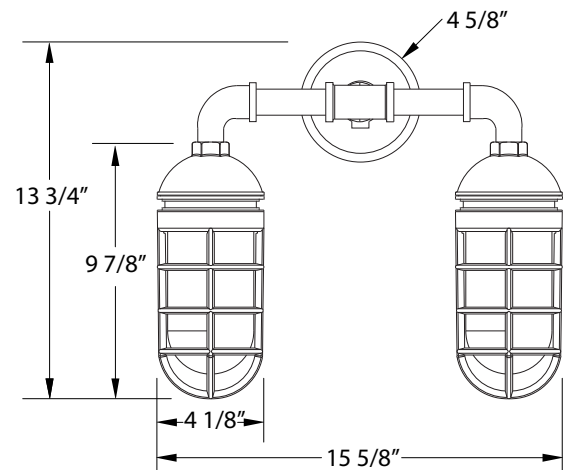
Max Wattage: 100W per socket

Options:

- Finish: Slate Gray, Black, Forest Green, White Gloss, Sea Green, Painted Galvanized, Navy, Architectural Bronze, Light Blue, Barn Red
- Shade Style: No Shade, Angle Shade

Shipping:

At Montclair Light Works we proudly manufacture, assemble, and ship your lamp within 7-13 business days from our factory in Montclair CA.



JOB/LOCATION

QUANTITY

DATE

NOTES