



## RADIAL 12 INCH STRAIGHT ARM WALL LIGHT

GNN158

Our outdoor wall lights, inspired by 1920's industrial lighting, in straight arm styles are great for use as sign or awning lights, garage or barn lights. This vintage look works well indoors, as a wall sconce to illuminate an entry or hallway, stairway, or bathroom. The Radial Shade is fluted to allow water to flow off its surface, suitable for seaside and non-seaside locales.



### FEATURES + BENEFITS

- Metal RLM shades are spun from heavy duty aluminum.
- Dimmable with a dimmable bulb and compatible dimmer (not included).
- Polyester powder coat finish provides color retention and scratch resistance.
- White powder coat shade interior for maximum light output. Painted galvanized finish has painted galvanized shade interior.
- UL Listed for Wet Location.
- Warranty: Limited 1 Year.
- Made in USA.

## SPECIFICATIONS

### Product Dimensions:

Width 12", Height 9 7/8", Depth 16", Canopy Dia. 4 5/8"

### Lamping:

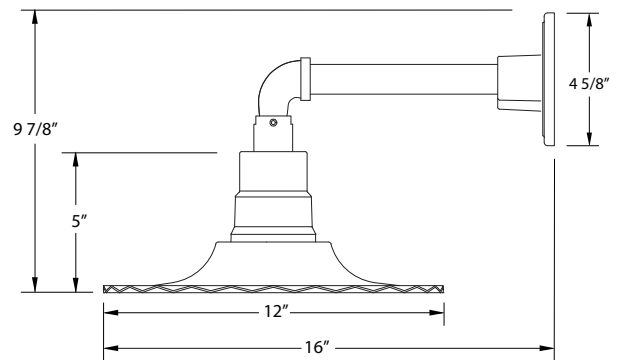
Max Wattage: 100W per socket

### Options:

- Finish: Slate Gray, Black, Forest Green, White Gloss, Sea Green, Painted Galvanized, Navy, Architectural Bronze, Light Blue, Barn Red
- Accessories: Decorative Backplate Cover, Weathertight Glass and Guard

### Shipping:

At Montclair Light Works we proudly manufacture, assemble, and ship your lamp within 7-13 business days from our factory in Montclair CA.



JOB/LOCATION

QUANTITY

DATE

NOTES