

WAREHOUSE 10 INCH STRAIGHT ARM WALL LIGHT

GNM181

Our outdoor wall lights, inspired by 1920's industrial lighting, in straight arm styles are great for use as sign or awning lights, garage or barn lights. This vintage look works well indoors, as a wall sconce to illuminate an entry or hallway, stairway, or bathroom. The Warehouse shade is our most popular shade style, and we offer in a large variety of sizes.



FEATURES + BENEFITS

- Metal RLM shades are spun from heavy duty aluminum.
- Dimmable with a dimmable bulb and compatible dimmer (not included).
- Polyester powder coat finish provides color retention and scratch resistance.
- White powder coat shade interior for maximum light output. Painted galvanized finish has painted galvanized shade interior.
- UL Listed for Wet Location.
- Warranty: Limited 1 Year.
- Made in USA.

SPECIFICATIONS

Product Dimensions:

Width 10", Height 11 1/2", Depth 12 1/2", Canopy Dia. 4 5/8"

Lamping:

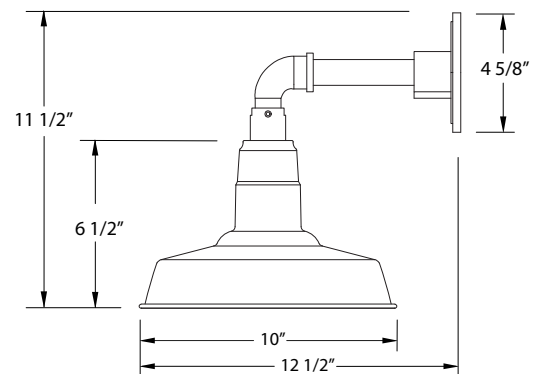
Max Wattage: 100W per socket

Options:

- Finish: Slate Gray, Black, Forest Green, White Gloss, Sea Green, Painted Galvanized, Navy, Architectural Bronze, Light Blue, Barn Red
- Shade Size: 10 Inch, 12 Inch, 14 Inch
- Accessories: Decorative Backplate Cover, Weathertight Glass and Guard, Wire Grill, Integrated LED

Shipping:

At Montclair Light Works we proudly manufacture, assemble, and ship your lamp within 7-13 business days from our factory in Montclair CA.



JOB/LOCATION

QUANTITY

DATE

NOTES