

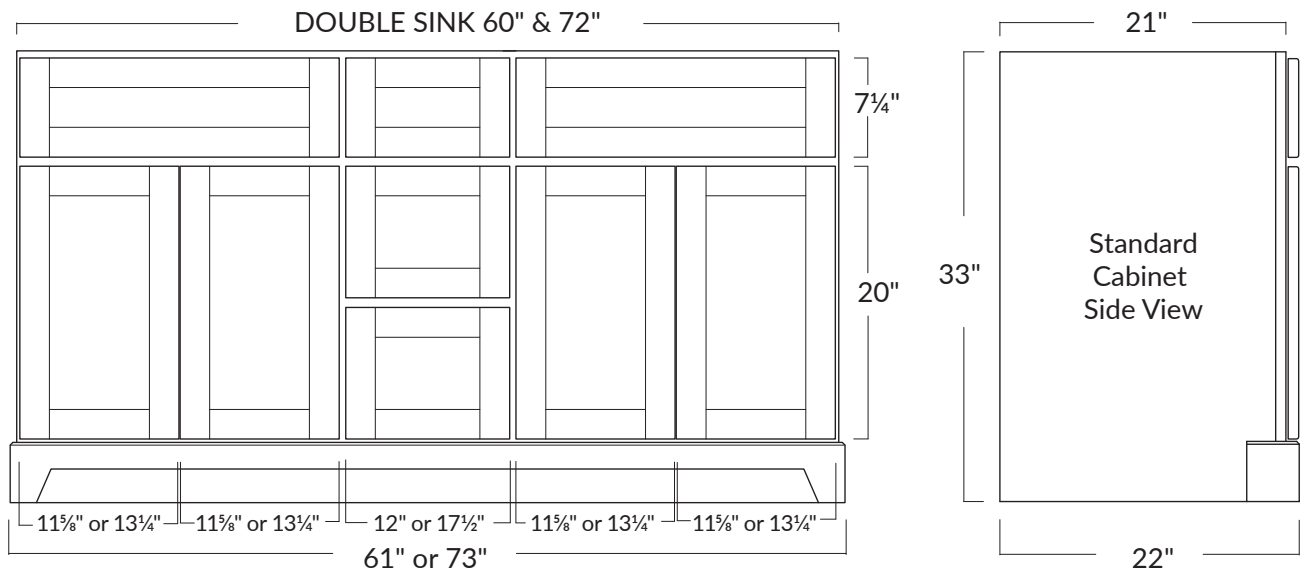
# 60"/72" Double Bowl Vanities



## Features:

- Hardwood face and back frame construction
- No particle board
- 5/8" furniture grade plywood construction (floor and end panels)
- Solid wood dovetail drawer box system
- Soft-closing full extension drawer hardware
- Fully adjustable hardware for levelling drawer fronts
- Solid wood furniture kick
- Open back for easy installation and plumbing access
- Three usable drawers for plenty of storage
- Four doors for full access to extra storage

## Specifications:



**NOTE:** Measurements are approximate and are provided for informational purposes only.