

Accessories

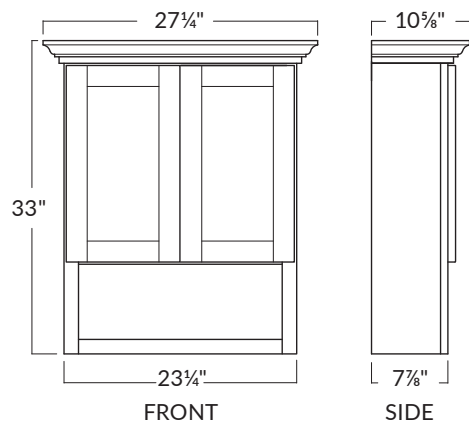
Bath Storage Cabinet



Features:

- Finished interior with one adjustable wooden shelf
- Added storage for smaller bathrooms
- Solid wood crown molding
- Soft-closing mechanism on doors
- Available in all vanity finishes

Specifications:



Mirrors

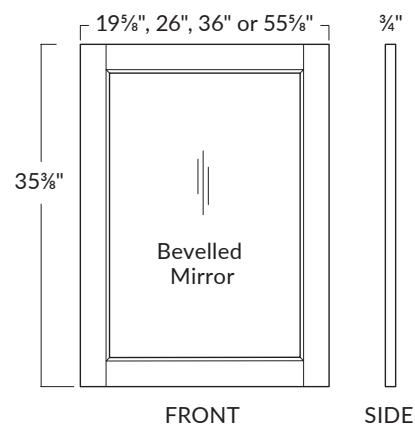


Features:

- Beautiful bevelled glass edge
- Available in all vanity finishes

NOTE: 72" mirrors are not available. We recommend using two 26" mirrors. If a 72" vanity is ordered as a linen tower combo, 26" mirrors will not fit due to the size of the crown molding on the linen towers. In this instance, use two 19 5/8" mirrors.

Specifications:



NOTE: Measurements are approximate and are provided for informational purposes only.