

Linen Towers



Right hinged with upper and lower door



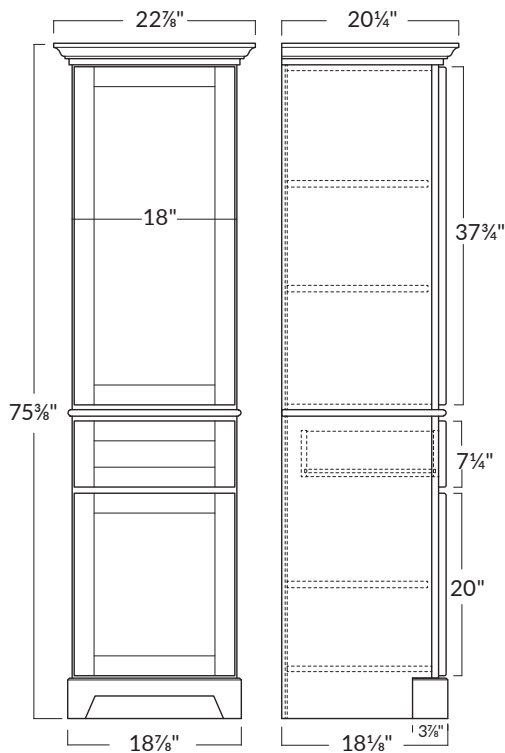
Right hinged with lower door only

Features:

- Matching finished interior
- Available with an upper door or an open upper shelf
- Two adjustable shelves
- Can be integrated with your vanity
- Available with left or right hinges
- Soft-closing mechanism
- Solid wood furniture kick
- Available in all vanity finishes
- Ships in three pieces
- Can be installed against a wall by cutting back crown molding and using a filler strip (**NOTE: this cut must be performed on site by a skilled trades professional**)

NOTE: Bottom door comes on all Linen Towers, however, upper door is optional at no additional charge.

Specifications:



▲ Decorative kick integration



▲ Side splash is pre-cut for Linen Tower integration

NOTE: Measurements are approximate and are provided for informational purposes only.