

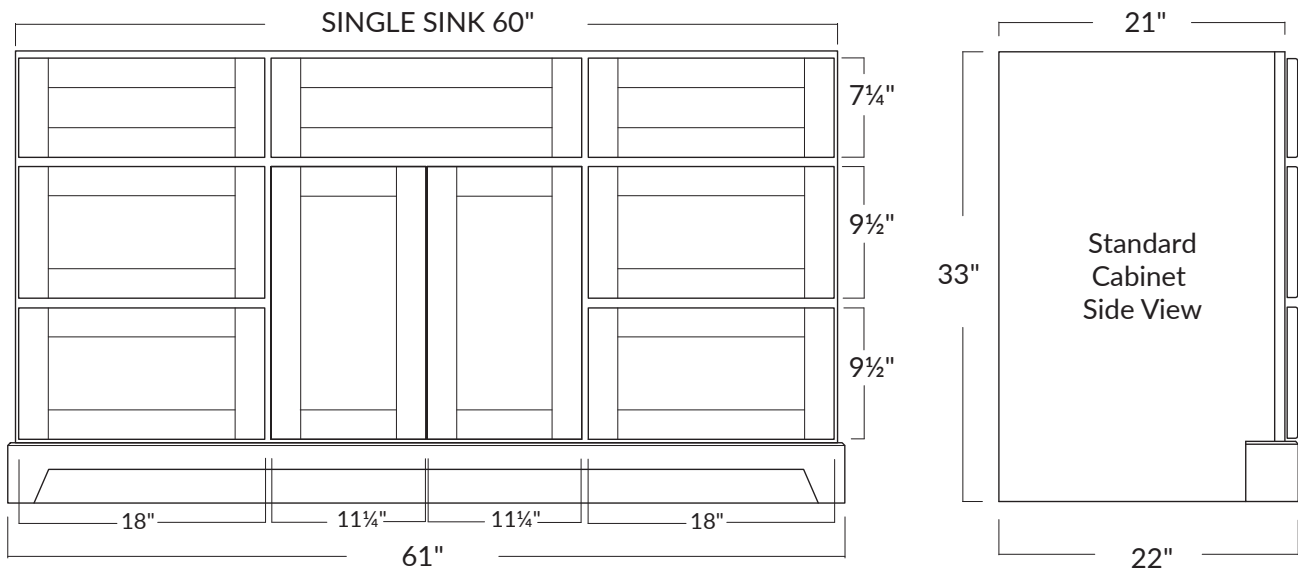
60" Single Bowl Vanities



Features:

- Hardwood face and back frame construction
- No particle board
- 5/8" furniture grade plywood construction (floor and end panels)
- Solid wood dovetail drawer box system
- Soft-closing, full extension drawer hardware
- Fully adjustable hardware for levelling drawer fronts
- Solid wood furniture kick
- Open back for easy installation and plumbing access
- Six usable drawers for plenty of storage
- Two doors for full access to extra storage

Specifications:



NOTE: Measurements are approximate and are provided for informational purposes only.