

CA30 Heated Clothes Airer

PLEASE READ ALL THE INSTRUCTIONS BEFORE USE



duronic.com



[duronic](https://www.youtube.com/channel/UCdURONIC)



[@duronicmedia](https://www.instagram.com/duronicmedia)



[Duronic](https://www.facebook.com/Duronic)



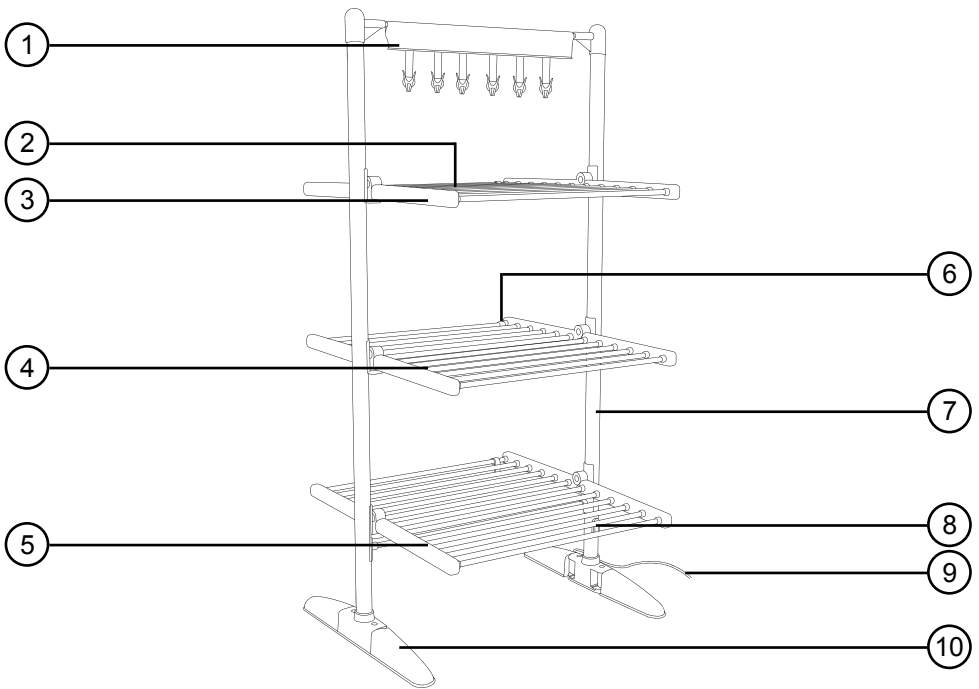
[@duronicmedia](https://twitter.com/duronicmedia)

Features and Specifications

Model Number	IP Rating	°C	Dimensions	Power	Voltage
CA30	IPX1	45-55*	Open 147x73.5x70cm 57.9x28.9x27.6in	300W	220-240V 50-60Hz
			Folded 147x73.5x15.5cm / 57.9x28.9x6.1in		

* If covered with textiles, the temperature can raise to 60-70°C

Components



- | | |
|--------------------|------------------|
| 1. Detachable pegs | 6. Shelf clips |
| 2. Heated bars | 7. Support bars |
| 3. Tier shelf 1 | 8. On/Off switch |
| 4. Tier shelf 2 | 9. Power cable |
| 5. Tier shelf 3 | 10. Feet |

Safety Information

PLEASE READ THIS MANUAL CAREFULLY AND RETAIN FOR FUTURE REFERENCE

- This appliance is for indoor/household use only. Do not use outdoors.
- This appliance is not designed for commercial or industrial use; it is for household use only.
- This appliance is not intended for use by persons (including children) with reduced physical, sensory or mental capabilities, or lack of experience and knowledge unless they have been given supervision or instruction concerning the use of the appliance by a person responsible for their safety.
- Children should be closely supervised at all times to ensure that they do not play with the appliance.
- Only use the appliance out of the reach of children because it gets hot.
- Do not operate this appliance if the power cable or plug is damaged. If either is damaged, return it to Duronic for service or repair by a professional technician.
- Never try to replace the parts and repair the unit by yourself. Do not modify the appliance in any way that is not described in the instructions for use. The appliance contains live parts. Repairs may only be carried out by Duronic, using original spare parts and accessories.
- If an extension lead/cable is needed to reach the appliance to a mains power socket that is too far away out of reach of the appliance's accompanying cable, please ensure that:
 - the marked electrical rating of the extension lead is at least as great as the electrical rating of the appliance.
 - the extension lead is of the grounded type.
 - no other appliance is plugged into the same extension lead.
 - the extension cable is safely positioned to avoid it being pulled on by children or animals or being tripped over.

Safety Information (continued)

- Always operate the appliance on a dry, smooth, even, stable and heatproof surface. Do not put the appliance against any items of furniture or touching any other objects. The ailer should be freestanding and in a space that allows some clearance space around the heated rails. Do not stand this ailer on top of any furniture.
- Do not cover the ailer with down-feather quilts, coats or pillows. Do not cover with very heavy textile items as this may cause the appliance to overheat.
- Disconnect the mains plug from the power socket if you are going to be absent for long periods.
- Never disconnect the plug by pulling on the power cable.
- Unplug from the mains plug outlet when not in use and before cleaning.
- This appliance is not intended to be operated using an external timer or separate remote-control system.
- Do not let the power cable hang over the edge of the table or counter, or touch hot surfaces.
- When opening and closing the ailer, never use force. The mechanisms should move freely and easily. Be careful to keep fingers away from the folding parts.
- Ensure the ailer is opened and folded out securely before loading it with laundry and before switching it on.
- Do not use the appliance for anything other than drying textiles.
- Do not attempt to move or relocate the appliance whilst it is in use or still hot. Allow it to cool properly and unplug it before relocating it.
- Do not exceed the maximum load capacity of 30kg (5kg per wing). Ensure that the load is distributed evenly across the surface to avoid the ailer tipping over.
- Do not attempt to clean or fold and store the appliance whilst it is still hot. Allow it to cool properly and unplug it before cleaning or storing it away.

**CAUTION:**

- *When folding the appliance as it is possible for loose clothing or fingers to become trapped and cause injury to the user.*
- *When in use the surface of the appliance will be hot, therefore ensure that it has cooled down properly prior to moving or cleaning it.*
- *To avoid a hazard for very young children, this clothes rail should be installed so that the lowest heated rail is at least 60cm above floor level.*

Introduction

Come rain or shine, with the Durodic CA30 extra-large indoor electric heated clothes dryer you can dry your washing quickly and efficiently no matter what the weather is like.

Both a more energy-efficient option for drying clothes than a tumble dryer and at the same a kinder option for drying fabrics and textiles, with this heated clothes ailer you can dry your laundry in just 4-8 hours.

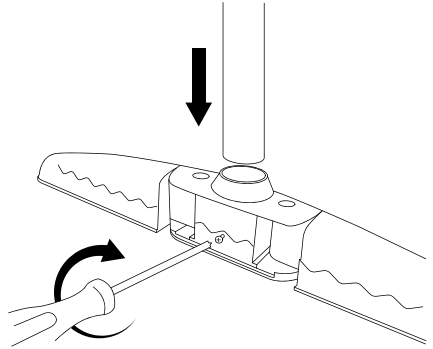
This ailer has 3 tiers/shelves which all open vertically with 12 wide heated bars on each tier, giving a total of 36 bars of easily accessible drying space. Clothes can be hung on individual bars, delicate items can be laid flat over the rungs to avoid any unwanted stretching and, for longer garments such as coats or shirts, they can be hung from hangers on the higher bars to ensure a crease-free result.

A set of 6 handy pegs are included that are ideal for hanging smaller items such as underwear or socks.

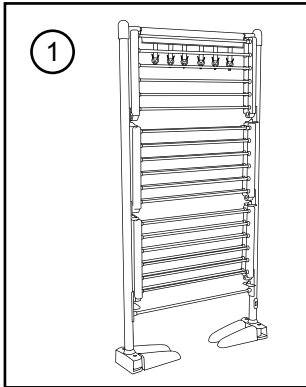
The main structure is made of aluminium making it both strong, and at the same time lightweight so it is easy to move around the home. In addition to this, the foldable design makes storage easy and convenient when it is not in use.

Before First Use

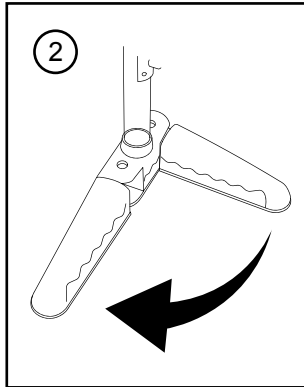
1. Remove all of the packaging materials. Check that there are no parts missing.
2. Insert a support bar(7) into one of the feet(10).
3. Insert a screw into the foot as shown, and use a screwdriver to tighten the screw in place.
4. Repeat the same process for the 2nd foot.



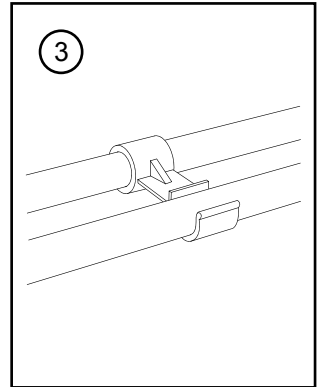
How to Use



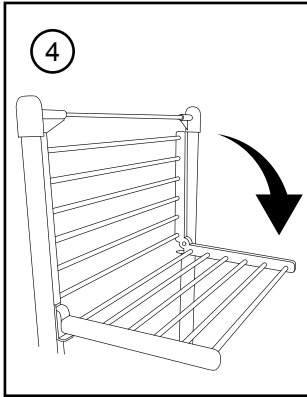
Set the airer up on a dry level floor near a plug socket, ensuring there is plenty of space around it.



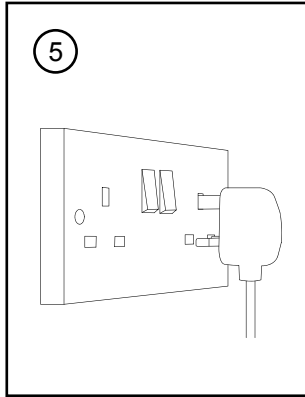
Open all of the support legs(10)



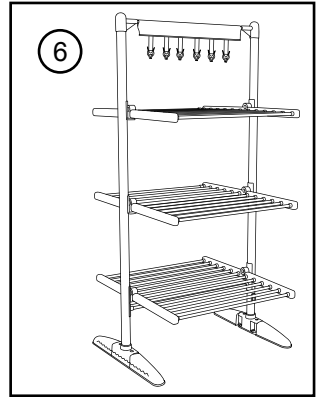
Unclip the Shelf Clips(6)



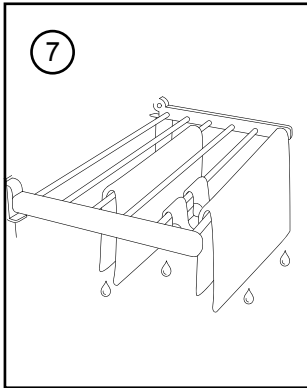
Lower the shelves(3,4,5) carefully until they are fully open in a horizontal position.



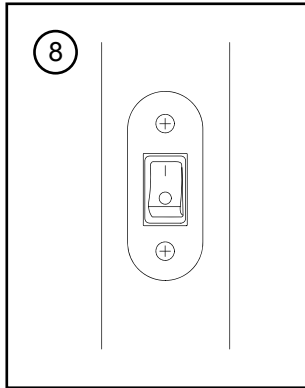
Plug in the cable to the wall socket.



Your ainer is now ready to use.



Load your wet laundry onto the ainer.



Once you've loaded your laundry onto the bars, switch the ainer on

Cleaning and Maintenance

Before cleaning, turn off the ailer by the switch. Unplug the power cable and allow the ailer to cool down.

To clean the ailer use a dry cloth to remove any dust or dirt. If there are stubborn areas of dirt, use a damp well-wrung cloth to wipe over the ailer. Leave to air dry or use a dry cloth afterwards to dry it.

**IMPORTANT:**

- *Do not immerse the power cable, plug or the ailer itself into water or any liquid. Do not pour water or any liquid over the ailer.*
- *Do not use detergents, abrasive cleaning products or any kind of polishing material on the body of the ailer as this can damage the finish.*
- *Do not use alcohol or solvent-based cleaners on the plastic components, as this will cause the cracking and ageing of these parts.*

Warranty

1 Year Guarantee from Shine-Mart Ltd, Trademark owners of Duronic Products.

NOTE: THESE STATEMENTS DO NOT AFFECT YOUR STATUTORY RIGHTS AS A CONSUMER

This product has been manufactured under the strictest or quality control procedures, and using the highest quality of materials, to ensure excellent performance and reliability. It will give very good and long lasting service, provided it is properly used and maintained. The product is guaranteed for 1 years from the date of original purchase. If any defect arises due to a faulty materials or poor workmanship, the faulty product must be returned to the original place of purchase. Refund or replacement is at the discretion of that company.

Duronic Products are offered with a 1 year guarantee under the following conditions:

1. The product must be returned to the retailer with original proof of purchase.
2. The product must be installed and used in accordance with the instructions contained in this operating manual.
3. It must be used only for domestic purposes.
4. It does not cover wear and tear, malicious damage, misuse, neglect, inexpert repairs or consumable parts.
5. Shine-Mart Ltd has no responsibilities for accidental or consequential loss or damage.
6. Shine-Mart Ltd are not liable to carry out any type of servicing work, under the guarantee
7. Valid in the UK only



This product is fitted with CE:1363 plug and fuse
Imported by Shine-Mart Ltd, RM3 8SB



Information on waste Disposal for Consumers of
Electrical & Electronic Equipment.

This mark on a product and/or accompanying documents indicates that when it is to be disposed of, it must be treated as Waste Electrical & Electronic Equipment, (WEEE).

Any WEEE marked products must not be mixed with general household waste, but kept separate for the treatment, recovery and recycling of the materials used.

For proper treatment, recovery and recycling; please take all WEEE marked waste to your Local Authority Civic waste site, where it will be accepted free of charge.

If customers dispose of Waste Electrical & Electronic Equipment correctly, they will be helping to save valuable resources and preventing any potential negative effects upon human health and the environment, of any hazardous materials that the waste may contain.

Follow Us



duronic.com



[duronic](https://www.youtube.com/duronic)



[@duronicmedia](https://www.instagram.com/duronicmedia)



[Duronic](https://www.facebook.com/duronic)



[@duronicmedia](https://twitter.com/duronicmedia)

DURONIC