

BL530 / BL540 Sports Blender

PLEASE READ ALL THE INSTRUCTIONS BEFORE USE



duronic.com



[duronic](https://www.youtube.com/duronic)



[@duronicmedia](https://www.instagram.com/duronicmedia)



[Duronic](https://www.facebook.com/Duronic)

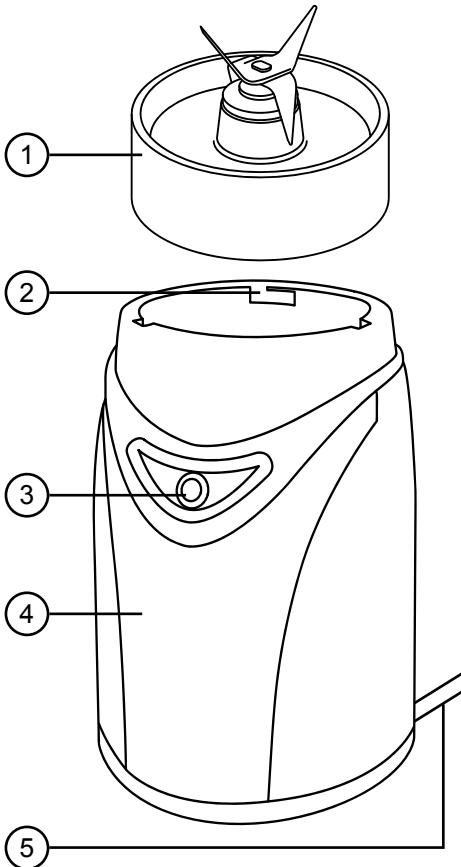


[@duronicmedia](https://www.twitter.com/duronicmedia)

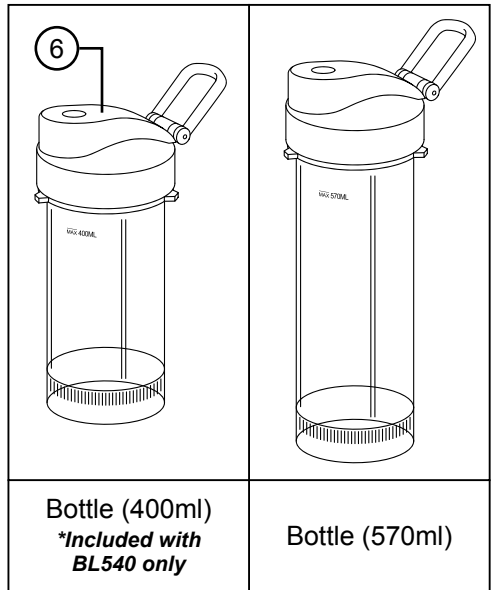
Features and Specifications

Model Number	Capacity	Dimensions	Power	Voltage
BL530	570ml	34.5x11x11cm	500W	220-240V 50-60Hz
BL540	570ml / 400ml			

Components



1. Blade assembly
2. Locking position
3. Pulse button
4. Motor unit
5. Power cable
6. Lid



Safety Information

PLEASE READ THIS MANUAL CAREFULLY AND RETAIN FOR FUTURE REFERENCE

- This appliance is for indoor/household use only. Do not use outdoors.
- This appliance is not designed for commercial or industrial use; it is for household use only.
- This appliance is not intended for use by persons (including children) with reduced physical, sensory or mental capabilities, or lack of experience and knowledge unless they have been given supervision or instruction concerning the use of the appliance by a person responsible for their safety.
- Children should be closely supervised at all times to ensure that they do not play with the appliance.
- Only use the appliance out of the reach of children because there are sharp blades inside the bottle. Store the blade parts safely out of reach of children.
- Do not operate this appliance if the power cable or plug is damaged. If either is damaged, return it to Duronic for service or repair by a professional technician.
- Never try to replace the parts and repair the unit by yourself. Do not modify the appliance in any way that is not described in the instructions for use. The machine contains live parts. Repairs may only be carried out by Duronic, using original spare parts and accessories.
- If an extension lead/cable is needed to reach the appliance to a mains power socket that is too far away out of reach of the machine's accompanying cable, please ensure that:
 - the marked electrical rating of the extension lead is at least as great as the electrical rating of the appliance.
 - the extension lead is of the grounded type.
 - no other appliance is plugged into the same extension lead.
 - the extension cable is safely positioned to avoid it being pulled on by children or animals or being tripped over.
- Always operate the blender on a dry, smooth, even and stable surface. Do not place the food processor on or next to a hot surface.

- Position the blender and its power cable to the rear of the work surface, well out of reach of children.
- Disconnect the mains plug from the power socket if you are going to be absent for long periods.
- Never disconnect the plug by pulling on the power cable.
- Unplug from the mains plug outlet when not in use and before cleaning.
- This appliance is not intended to be operated using an external timer or separate remote-control system.
- Do not let the power cable hang over the edge of the table or counter, or touch hot surfaces.
- Do not use the blender for anything other than blending food.
- Do not operate the food processor with wet hands.
- Do not use any attachments which are not listed in this manual. The use of any additional attachments are not recommended by the manufacturer and may cause a risk of injury.
- The jug and parts are not dishwasher safe – hand wash only.
- Do not put large pieces of food in the blender. Chop or slice fruits and vegetables before blending them.
- If using ice cubes in the blender, ensure that there is sufficient liquid in the bottle to keep the mixture loose and do not overload with ice.
- Never process hot or boiling liquids. Allow them to cool before processing.
- To clean, wipe the motor unit with a well-wrung wet cloth. Do not submerge it in water or other liquids. Wash the cups and lids with warm water and soap. Dry properly before placing the cups back into the machine.
- Allow moving parts to come to a stop before changing or cleaning accessories.
- Do not switch the blender if the bottle is empty or use the blender for more than 60 seconds at a time as this can overheat the motor.
- The blades have very sharp edges. Take care when handling or cleaning them.
- Never use harsh, abrasive or caustic cleaners to clean this appliance.

Introduction

This manual is for two different products, the BL530 and BL540. Both are compact personal blenders ideal for making daily smoothies or cold drinks.

The BL530 is our standard model that comes with one bottle (570ml) and has a black exterior body.

The BL540 is our premium model that comes with two bottles (570ml and 400ml) and has a white exterior body.

Before First Use

1. Before first use, remove all packaging and set aside.
2. Clean the bottle(s) and blade for the first time as per the instructions in 'Cleaning and Maintenance'.
3. Wipe clean the motor unit and dry.
4. Place the blender motor unit on a flat, dry surface and located close to an electrical mains socket.

How to Use

1. Add the ingredients to the bottle. Don't fill the bottle above the MAX 570ml mark (or MAX 400ml mark if you are using a 400ml bottle).
2. Fit the blade assembly onto the bottle. Tighten the blade assembly firmly in place.
3. Turn the bottle upside down so that the blade assembly is at the bottom, then line up the tabs on the bottle with the openings on the rim of the motor unit. Insert the bottle into the motor unit and twist to lock in place.
4. To start blending simply press and hold the Pulse Button.



CAUTION: *This blender is powerful and will blend as soon as you turn the bottle into place. Ensure you use both hands to hold the bottle and base while blending.*

5. Once you have reached your desired blending consistency, release the Pulse Button to stop blending.
6. When you have finished blending your drink, the blades have stopped rotating, and the bottle is unlocked from the motor unit, you can remove the bottle.
7. Turn the bottle so that it is the right side up and remove the blade assembly.
8. Place the bottle lid onto the bottle and twist to tighten into place. You can now enjoy your drink!

Tips

- If any of the ingredients become stuck around the blade during the blending process, simply remove the bottle from the motor unit, give it a shake then refit it and carry on processing.

Cleaning and Maintenance

For ease of cleaning, we recommend that you clean your blender bottle and cap as soon as you have finished using them.

Quick Cleaning

1. Half fill a bottle with warm water and a drop or two of washing-up liquid then put the blade assembly on the bottle. Turn the bottle upside down and place onto the motor unit (in the same way as described in 'How to Use' section above).
2. Turn the bottle clockwise and press the Pulse Button for 10-20 seconds.
3. Remove the bottle, unscrew the blade assembly and rinse them both under running water.

General Cleaning

Clean the motor unit with a damp cloth only. Wash the blade assembly in warm, soapy water. Rinse and dry thoroughly. For stubborn food deposits stuck around the blade, carefully use a washing up brush.

Wash the bottles and lids in warm, soapy water. Rinse and dry thoroughly.

Storing

Store your blender in a clean, dry place. Ensure all parts are dismantled and keep the blade in a safe place out of the reach of children.



CAUTION: *Never immerse the base motor unit or power cable into water for cleaning.*

Troubleshooting

Issue	Possible Solution
The blender has stopped working	<p>CHECK THE FOLLOWING: Is the blade assembly locked securely into the motor unit?</p> <p>IF THE BLENDER IS STILL NOT WORKING: If you have been using the blender for more than five minutes consistently, it may be that the overheat prevention function has stopped the blender to allow the motor to cool down. Allow the motor to cool down for 1 minute and try to use the blender again.</p> <p>If it still does not work, please contact the Duronic Customer Care Team for assistance.</p>
There is a strange smell during blending	<p>This is normal and fades away with time. The motor unit has a powerful motor which is brand new and factory installed. As you are the first user of the blender, you will receive a slight odour coming from the motor. However, with regular usage the odour will disappear.</p>
Can I blend frozen fruits?	<p>You can use partially frozen fruits. This means that they need to be removed from the freezer an hour or more before blending them.</p> <p>If using frozen food or ice cubes, please ensure you add a liquid to the mix to ensure the blender can blend efficiently.</p>

Warranty

1 Year Guarantee from Shine-Mart Ltd, Trademark owners of Duronic Products.
 NOTE: THESE STATEMENTS DO NOT AFFECT YOUR STATUTORY RIGHTS AS A CONSUMER

This product has been manufactured under the strictest or quality control procedures, and using the highest quality of materials, to ensure excellent performance and reliability. It will give very good and long lasting service, provided it is properly used and maintained. The product is guaranteed for 1 years from the date of original purchase. If any defect arises due to a faulty materials or poor workmanship, the faulty product must be returned to the original place of purchase. Refund or replacement is at the discretion of that company. Duronic Products are offered with a 1 year guarantee under the following conditions:

1. The product must be returned to the retailer with original proof of purchase.
2. The product must be installed and used in accordance with the instructions contained in this operating manual.
3. It must be used only for domestic purposes.
4. It does not cover wear and tear, malicious damage, misuse, neglect, inexpert repairs or consumable parts.
5. Shine-Mart Ltd has no responsibilities for accidental or consequential loss or damage.
6. Shine-Mart Ltd are not liable to carry out any type of servicing work, under the guarantee
7. Valid in the UK only



This product is fitted with CE:1363 plug and fuse
 Imported by Shine-Mart Ltd, RM3 8SB



Information on waste Disposal for Consumers of
 Electrical & Electronic Equipment.

This mark on a product and/or accompanying documents indicates that when it is to be disposed of, it must be treated as Waste Electrical & Electronic Equipment, (WEEE).

Any WEEE marked products must not be mixed with general household waste, but kept separate for the treatment, recovery and recycling of the materials used.

For proper treatment, recovery and recycling; please take all WEEE marked waste to your Local Authority Civic waste site, where it will be accepted free of charge.

If customers dispose of Waste Electrical & Electronic Equipment correctly, they will be helping to save valuable resources and preventing any potential negative effects upon human health and the environment, of any hazardous materials that the waste may contain.

Follow Us



duronic.com



[duronic](https://www.youtube.com/duronic)



[@duronicmedia](https://www.instagram.com/@duronicmedia)



[Duronic](https://www.facebook.com/Duronic)



[@duronicmedia](https://www.twitter.com/@duronicmedia)

DURONIC