

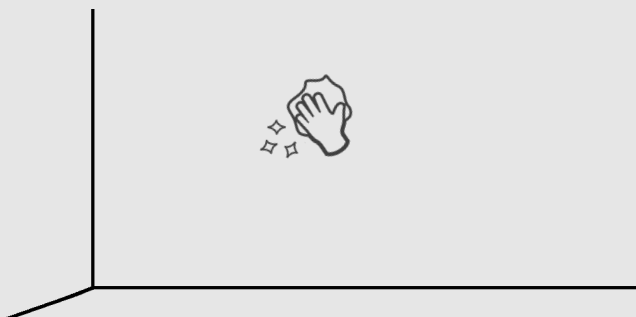


INSTALLATION GUIDE
MODERN SHIPLAP
PEEL & STICK WALL PANELS

Tools you will Need: *Utility Knife, Straight Edge for Cutting*
Optional: *Flat Paint Primer*

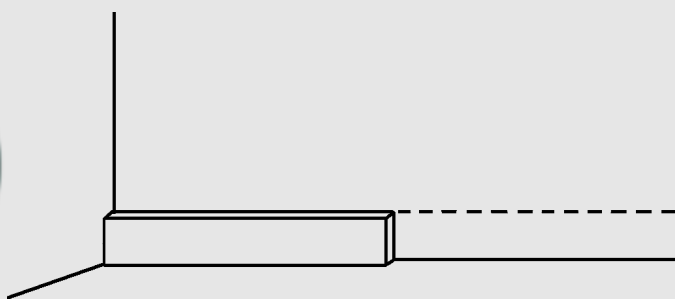
1. Prepare your wall or vertical surface for installation.

Ensure the surface is clean, smooth, and free of debris. If your surface is semi-gloss or high-gloss, it is highly recommended that you apply a layer of flat paint primer and let dry before installing the peel and stick panels.



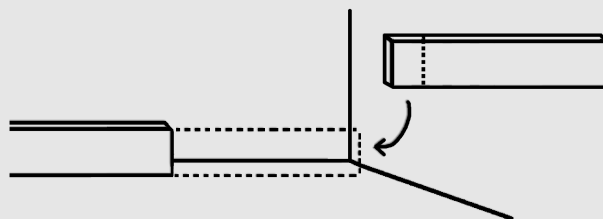
2. Begin applying the wall panels to the desired area.

Starting at the bottom corner of your wall, install the first plank by peeling the adhesive liners off of the back of the planks and then press firmly against the wall. Repeat directly next to that plank, forming a bottom row.



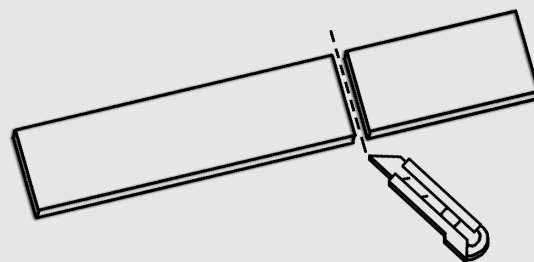
3. Finish the row by cutting the last panel to size.

When you get to the end of your row, you will likely need to cut your last plank to size. Do this by measuring the size of the plank that you will need, and then marking a line on one of your wall panels so you will know where to cut.



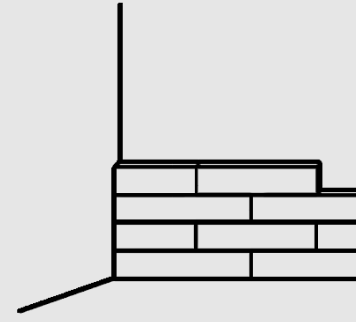
4. Cutting the panels to the desired size.

Place the peel and stick panel face up on a slip-free surface, and using a straight edge, cut the wall panel along the line you drew. You can continue to make cuts along your line until you have cut all the way through the plank, or you may snap the plank once it has been adequately scored.



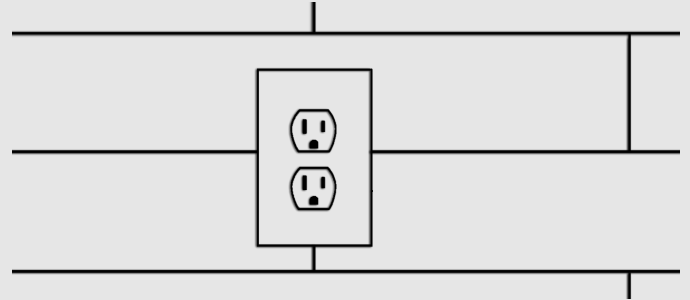
5. Repeat the process above to continue applying the peel and stick panels.

Be sure to imagine how you want the planks to be staggered prior to installing. There is no need to line up the seams. In fact, it is recommended that you offset the seams for a better appearance.



6. Going around light switches and electrical outlets.

You may need to make additional cuts around light switches and electrical outlets on your wall. It is recommended that you safely install the planks just under the housing of your light switches or outlets and then tighten the housing onto the planks. This will allow for the outlet cover to install flush on top of the housing and planks.



7. Completing the last row for your finished look.

If you decide to go to the top of your wall, you will likely need to make additional cuts along the length of the panels to get the desired width of the remaining row. Follow the recommended procedure in Step #4 to safely cut the planks.

